

SERVICE MANUAL



T533CT/T533C/T513CT/
T513C/T533AH/T513AH

DVD VIDEO PLAYER

T533CT/T533C/T513CT/
T513C/T533AH/T513AH

DVD VIDEO PLAYER

SECTION 1

SUMMARY

CONTENTS

| | |
|---|------------|
| PRODUCT SAFETY SERVICING GUIDELINES FOR VIDEO PRODUCTS | 1-2 |
| SERVICING PRECAUTIONS | 1-3 |
| • General Servicing Precautions | |
| • Insulation Checking Prodedure | |
| • Electrostatically Sensitive Devices | |
| SPECIFICATIONS | 1-4 |

PRODUCT SAFETY SERVICING GUIDELINES FOR VIDEO PRODUCTS

CAUTION : DO NOT ATTEMPT TO MODIFY THIS PRODUCT IN ANY WAY. NEVER PERFORM CUSTOMIZED INSTALLATIONS WITHOUT MANUFACTURER'S APPROVAL. UNAUTHORIZED MODIFICATIONS WILL NOT ONLY VOID THE WARRANTY, BUT MAY LEAD TO YOUR BEING LIABLE FOR ANY RESULTING PROPERTY DAMAGE OR USER INJURY.

SERVICE WORK SHOULD BE PERFORMED ONLY AFTER YOU ARE THOROUGHLY FAMILIAR WITH ALL OF THE FOLLOWING SAFETY CHECKS AND SERVICING GUIDELINES. TO DO OTHERWISE, INCREASES THE RISK OF POTENTIAL HAZARDS AND INJURY TO THE USER.

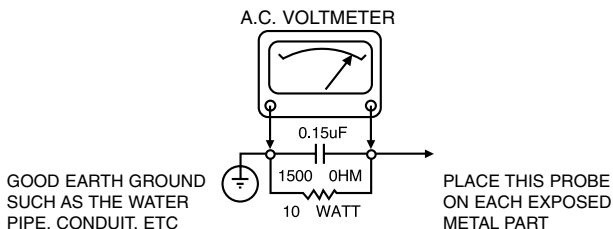
WHILE SERVICING, USE AN ISOLATION TRANSFORMER FOR PROTECTION FROM A.C. LINE SHOCK.

SAFETY CHECKS

AFTER THE ORIGINAL SERVICE PROBLEM HAS BEEN CORRECTED, A CHECK SHOULD BE MADE OF THE FOLLOWING.

SUBJECT : FIRE & SHOCK HAZARD

1. BE SURE THAT ALL COMPONENTS ARE POSITIONED IN SUCH A WAY AS TO AVOID POSSIBILITY OF ADJACENT COMPONENT SHORTS. THIS IS ESPECIALLY IMPORTANT ON THOSE MODULES WHICH ARE TRANSPORTED TO AND FROM THE REPAIR SHOP.
2. NEVER RELEASE A REPAIR UNLESS ALL PROTECTIVE DEVICES SUCH AS INSULATORS, BARRIERS, COVERS, SHIELDS, STRAIN RELIEFS, POWER SUPPLY CORDS, AND OTHER HARDWARE HAVE BEEN REINSTALLED PER ORIGINAL DESIGN. BE SURE THAT THE SAFETY PURPOSE OF THE POLARIZED LINE PLUG HAS NOT BEEN DEFEATED.
3. SOLDERING MUST BE INSPECTED TO DISCOVER POSSIBLE COLD SOLDER JOINTS, SOLDER SPLASHES OR SHARP SOLDER POINTS. BE CERTAIN TO REMOVE ALL LOOSE FOREIGN PARTICLES.
4. CHECK FOR PHYSICAL EVIDENCE OF DAMAGE OR DETERIORATION TO PARTS AND COMPONENTS. FOR FRAYED LEADS, DAMAGED INSULATION (INCLUDING A.C. CORD), AND REPLACE IF NECESSARY FOLLOW ORIGINAL LAYOUT, LEAD LENGTH AND DRESS.
5. NO LEAD OR COMPONENT SHOULD TOUCH A RECEIVING TUBE OR A RESISTOR RATED AT 1 WATT OR MORE. LEAD TENSION AROUND PROTRUDING METAL SURFACES MUST BE AVOIDED.
6. ALL CRITICAL COMPONENTS SUCH AS FUSES, FLAMEPROOF RESISTORS, CAPACITORS, ETC. MUST BE REPLACED WITH EXACT FACTORY TYPES, DO NOT USE REPLACEMENT COMPONENTS OTHER THAN THOSE SPECIFIED OR MAKE UNRECOMMENDED CIRCUIT MODIFICATIONS.
7. AFTER RE-ASSEMBLY OF THE SET ALWAYS PERFORM AN A.C. LEAKAGE TEST ON ALL EXPOSED METALLIC PARTS OF THE CABINET, (THE CHANNEL SELECTOR KNOB, ANTENNA TERMINALS, HANDLE AND SCREWS) TO BE SURE THE SET IS SAFE TO OPERATE WITHOUT DANGER OF ELECTRICAL SHOCK. DO NOT USE A LINE ISOLATION TRANSFORMER DURING THIS TEST USE AN A.C. VOLT-METER, HAVING 5000 OHMS PER VOLT OR MORE SENSITIVITY, IN THE FOLLOWING MANNER; CONNECT A 1500 OHM 10 WATT RESISTOR, PARALLELED BY A .15 MFD. 150.V A.C TYPE CAPACITOR BETWEEN A KNOWN GOOD EARTH GROUND (WATER PIPE, CONDUIT, ETC.) AND THE EXPOSED METALLIC PARTS, ONE AT A TIME. MEASURE THE A.C. VOLTAGE ACROSS THE COMBINATION OF 1500 OHM RESISTOR AND .15 MFD CAPACITOR. REVERSE THE A.C. PLUG AND REPEAT A.C. VOLTAGE MEASUREMENTS FOR EACH EXPOSED METALLIC PART. VOLTAGE MEASURED MUST NOT EXCEED 75 VOLTS R.M.S. THIS CORRESPONDS TO 0.5 MILLIAMPS A.C ANY VALUE EXCEEDING THIS LIMIT CONSTITUTES A POTENTIAL SHOCK HAZARD AND MUST BE CORRECTED IMMEDIATELY.



SUBJECT: GRAPHIC SYMBOLS



THE LIGHTNING FLASH WITH ARROWHEAD SYMBOL, WITHIN AN EQUILATERAL TRIANGLE, IS INTENDED TO ALERT THE SERVICE PERSONNEL TO THE PRESENCE OF UNINSULATED "DANGEROUS VOLTAGE" THAT MAY BE OF SUFFICIENT MAGNITUDE TO CONSTITUTE A RISK OF ELECTRIC SHOCK.



THE EXCLAMATION POINT WITHIN AN EQUILATERAL TRIANGLE IS INTENDED TO ALERT THE SERVICE PERSONNEL TO THE PRESENCE OF IMPORTANT SAFETY INFORMATION IN SERVICE LITERATURE.

SUBJECT : X-RADIATION

1. BE SURE PROCEDURES AND INSTRUCTIONS TO ALL SERVICE PERSONNEL COVER THE SUBJECT OF X-RADIATION. THE ONLY POTENTIAL SOURCE OF X-RAYS IN CURRENT T.V. RECEIVERS IS THE PICTURE TUBE. HOWEVER, THIS TUBE DOES NOT EMIT X-RAYS WHEN THE HIGH VOLTAGE IS AT THE FACTORY SPECIFIED LEVEL. THE PROPER VALUE IS GIVEN IN THE APPLICABLE SCHEMATIC. OPERATION AT HIGHER VOLTAGES MAY CAUSE A FAILURE OF THE PICTURE TUBE OR HIGH VOLTAGE SUPPLY AND, UNDER CERTAIN CIRCUMSTANCES, MAY PRODUCE RADIATION IN EXCESS OF DESIRABLE LEVELS.
2. ONLY FACTORY SPECIFIED C.R.T. ANODE CONNECTORS MUST BE USED. DEGAUSSING SHIELDS ALSO SERVE AS X-RAY SHIELD IN COLOR SETS, ALWAYS RE-INSTALL THEM.
3. IT IS ESSENTIAL THAT SERVICE PERSONNEL HAVE AVAILABLE AN ACCURATE AND RELIABLE HIGH VOLTAGE METER. THE CALIBRATION OF THE METER SHOULD BE CHECKED PERIODICALLY AGAINST A REFERENCE STANDARD, SUCH AS THE ONE AVAILABLE AT YOUR DISTRIBUTOR.
4. WHEN THE HIGH VOLTAGE CIRCUITRY IS OPERATING PROPERLY THERE IS NO POSSIBILITY OF AN X-RADIATION PROBLEM. EVERY TIME A COLOR CHASSIS IS SERVICED, THE BRIGHTNESS SHOULD BE RUN UP AND DOWN WHILE MONITORING THE HIGH VOLTAGE WITH A METER TO BE CERTAIN THAT THE HIGH VOLTAGE DOES NOT EXCEED THE SPECIFIED VALUE AND THAT IT IS REGULATING CORRECTLY. WE SUGGEST THAT YOU AND YOUR SERVICE ORGANIZATION REVIEW TEST PROCEDURES SO THAT VOLTAGE REGULATION IS ALWAYS CHECKED AS A STANDARD SERVICING PROCEDURE. AND THAT THE HIGH VOLTAGE READING BE RECORDED ON EACH CUSTOMER'S INVOICE.
5. WHEN TROUBLESHOOTING AND MAKING TEST MEASUREMENTS IN A PRODUCT WITH A PROBLEM OF EXCESSIVE HIGH VOLTAGE, AVOID BEING UNNECESSARILY CLOSE TO THE PICTURE TUBE AND THE HIGH VOLTAGE SUPPLY. DO NOT OPERATE THE PRODUCT LONGER THAN IS NECESSARY TO LOCATE THE CAUSE OF EXCESSIVE VOLTAGE.
6. REFER TO HV, B+ AND SHUTDOWN ADJUSTMENT PROCEDURES DESCRIBED IN THE APPROPRIATE SCHEMATIC AND DIAGRAMS (WHERE USED).

SUBJECT: IMPLOSION

1. ALL DIRECT VIEWED PICTURE TUBES ARE EQUIPPED WITH AN INTEGRAL IMPLOSION PROTECTION SYSTEM, BUT CARE SHOULD BE TAKEN TO AVOID DAMAGE DURING INSTALLATION, AVOID SCRATCHING THE TUBE. IF SCRATCHED REPLACE IT.
2. USE ONLY RECOMMENDED FACTORY REPLACEMENT TUBES.

SUBJECT : TIPS ON PROPER INSTALLATION

1. NEVER INSTALL ANY PRODUCT IN A CLOSED-IN RECESS, CUBBY-HOLE OR CLOSELY FITTING SHELF SPACE. OVER OR CLOSE TO HEAT DUCT, OR IN THE PATH OF HEATED AIR FLOW.
2. AVOID CONDITIONS OF HIGH HUMIDITY SUCH AS: OUTDOOR PATIO INSTALLATIONS WHERE DEW IS A FACTOR, NEAR STEAM RADIATORS WHERE STEAM LEAKAGE IS A FACTOR, ETC.
3. AVOID PALCEMENT WHERE DRAPERIES MAY OBSTRUCT REAR VENTING. THE CUSTOMER SHOULD ALSO AVOID THE USE OF DECORATIVE SCARVES OR OTHER COVERINGS WHICH MIGHT OBSTRUCT VENTILATION.
4. WALL AND SHELF MOUNTED INSTALLATIONS USING A COMMERCIAL MOUNTING KIT. MUST FOLLOW THE FACTORY APPROVED MOUNTING INSTRUCTIONS A PRODUCT MOUNTED TO A SHELF OR PLATFORM MUST RETAIN ITS ORIGINAL FEET (OR THE EQUIVALENT THICKNESS IN SPACERS) TO PROVIDE ADEQUATE AIR FLOW ACROSS THE BOTTOM, BOLTS OR SCREWS USED FOR FASTENERS MUST NOT TOUCH ANY PARTS OR WIRING. PERFORM LEAKAGE TEST ON CUSTOMIZED INSTALLATIONS.
5. CAUTION CUSTOMERS AGAINST THE MOUNTING OF A PRODUCT ON SLOPING SHELF OR A TILTED POSITION, UNLESS THE PRODUCT IS PROPERLY SECURED.
6. A PRODUCT ON A ROLL-ABOUT CART SHOULD BE STABLE ON ITS MOUNTING TO THE CART. CAUTION THE CUSTOMER ON THE HAZARDS OF TRYING TO ROLL A CART WITH SMALL CASTERS ACROSS THRESHOLDS OR DEEP PILE CARPETS.
7. CAUTION CUSTOMERS AGAINST THE USE OF A CART OR STAND WHICH HAS NOT BEEN LISTED BY UNDERWRITERS LABORATORIES, INC. FOR USE WITH THEIR SPECIFIC MODEL OF TELEVISION RECEIVER OR GENERALLY APPROVED FOR USE WITH T.V.'S OF THE SAME OR LARGER SCREEN SIZE.
8. CAUTION CUSTOMERS AGAINST THE USE OF EXTENSION CORDS, EXPLAIN THAT A FOREST OF EXTENSIONS SPROUTING FROM A SINGLE OUTLET CAN LEAD TO DISASTROUS CONSEQUENCES TO HOME AND FAMILY.

SERVICING PRECAUTIONS

CAUTION : Before servicing the DVD covered by this service data and its supplements and addends, read and follow the *SAFETY PRECAUTIONS*. NOTE : if unforeseen circumstances create conflict between the following servicing precautions and any of the safety precautions in this publication, always follow the safety precautions.

Remembers Safety First:

General Servicing Precautions

1. Always unplug the DVD AC power cord from the AC power source before:
 - (1) Removing or reinstalling any component, circuit board, module, or any other assembly.
 - (2) Disconnection or reconnecting any internal electrical plug or other electrical connection.
 - (3) Connecting a test substitute in parallel with an electrolytic capacitor.
Caution : A wrong part substitution or incorrect polarity installation of electrolytic capacitors may result in an explosion hazard.
2. Do not spray chemicals on or near this DVD or any of its assemblies.
3. Unless specified otherwise in this service data, clean electrical contacts by applying an appropriate contact cleaning solution to the contacts with a pipe cleaner, cotton-tipped swab, or comparable soft applicator. Unless specified otherwise in this service data, lubrication of contacts is not required.
4. Do not defeat any plug/socket B+ voltage interlocks with which instruments covered by this service manual might be equipped.
5. Do not apply AC power to this DVD and/or any of its electrical assemblies unless all solid-state device heat sinks are correctly installed.
6. Always connect test instrument ground lead to the appropriate ground before connection the test instrument positive lead. Always remove the test instrument ground lead last.

Insulation Checking Procedure

Disconnect the attachment plug from the AC outlet and turn the power on. Connect an insulation resistance meter(500V) to the blades of the attachment plug. The insulation resistance between each blade of the attachment plug and accessible conductive parts (Note 1) should be more than 1M-ohm.

Note 1 : Accessible Conductive Parts including Metal panels, Input terminals, Earphone jacks, etc.

Electrostatically Sensitive (ES) Devices

Some semiconductor (solid state) devices can be damaged easily by static electricity. Such components commonly are called Electrostatically Sensitive (ES) Devices. Examples of typical ES devices are integrated circuits and some field effect transistors and semiconductor chip components.

The following techniques should be used to help reduce the incidence of component damage caused by static electricity.

1. Immediately before handling any semiconductor component or semiconductor-equipped assembly, drain off any electrostatic charge on your body by touching a known earth ground. Alternatively, obtain and wear a commercially available discharging wrist strap device, which should be removed for potential shock reasons prior to applying power to the unit under test.
2. After removing an electrical assembly equipped with ES devices, place the assembly on a conductive surface such as aluminum foil, to prevent electrostatic charge buildup or exposure of the assembly.
3. Use only a grounded-tip soldering iron to solder or unsolder ES devices.
4. Use only an anti-static solder removal device. Some solder removal devices not classified a "anti-static" can generate electrical charges sufficient to damage ES devices.
5. Do not use freon-propelled chemicals. These can generate electrical charge sufficient to damage ES devices.
6. Do not remove a replacement ES device from its protective package until immediately before you are ready to install it. (Most replacement ES devices are packaged with leads electrically shorted together by conductive foam, aluminum foil, or comparable conductive material).
7. Immediately before removing the protective material from the leads of a replacement ES device, touch the protective material to the chassis or circuit assembly into which the device will be installed.

Caution : Be sure no power is applied to the chassis or circuit, and observe all other safety precautions.

8. Minimize bodily motions when handling unpackaged replacement ES devices. (Normally harmless motion such as the brushing together of your clothes fabric or the lifting of your foot from a carpeted floor can generate static electricity sufficient to damage an ES device.)

SPECIFICATIONS

• GENERAL

| | |
|-----------------------|--|
| Power requirements | AC 120V, 60Hz(T533AH/T513AH), AC 110~240V, 50/60Hz(T533CT/T533C/T513CT/T513C) |
| Power consumption | 14W |
| Dimensions(approx.) | 430 x 69 x 230mm (16.9 x 2.4 x 9.5 inches) (W/h/d) |
| Mass(approx.) | 2.4kg (5.3 lbs) |
| Operating temperature | 5°C to 35°C (41°F to 95°F) |
| Operating humidity | 5% to 9% |

• SYSTEM

| | |
|-----------------------|--|
| Laser | Semiconductor laser, wavelength 650nm |
| Signal system | NTSC, PAL |
| Frequency response | DVD (PCM 96kHz): 2Hz to 44kHz DVD (PCM 48kHz): 2Hz to 22kHz CD: 2Hz to 20kHz |
| Signal-to-noise ratio | More than 100dB (ANALOG OUT connectors only) |
| Harmonic distortion | Less than 0.008% |
| Dynamic range | More than 100dB(DVD) More than 95dB(CD) |

• OUTPUTS

| | |
|-----------------------------|--|
| VIDEO OUTPUTS | 1V p-p, 75 Ω, sync negative, RCA jack x 1 |
| S-V IDEO OUTPUTS | (Y)1.0V(p-p), 75Ω, negative sync., Mini DIN 4-pin x 1 (C)0.3V(p-p), 75Ω |
| COMPONENT VIDEO OUT | (Y)1.0V(p-p), 75Ω, negative sync., RCA jack x 1 (Pb)/(Pr)0.7V(p-p), 75Ω, RCA jack x 2 |
| Audio output(digital audio) | 0.5V(p-p), 75Ω, RCA jack X 1 |
| Audio output(optical audio) | 5V (p-p), 75Ω, Optical connector x 1 |
| Audio output(analog audio) | 2.0Vrms (1kHz, 0dB), 600Ω, RCA jack (L, R) x 1 |

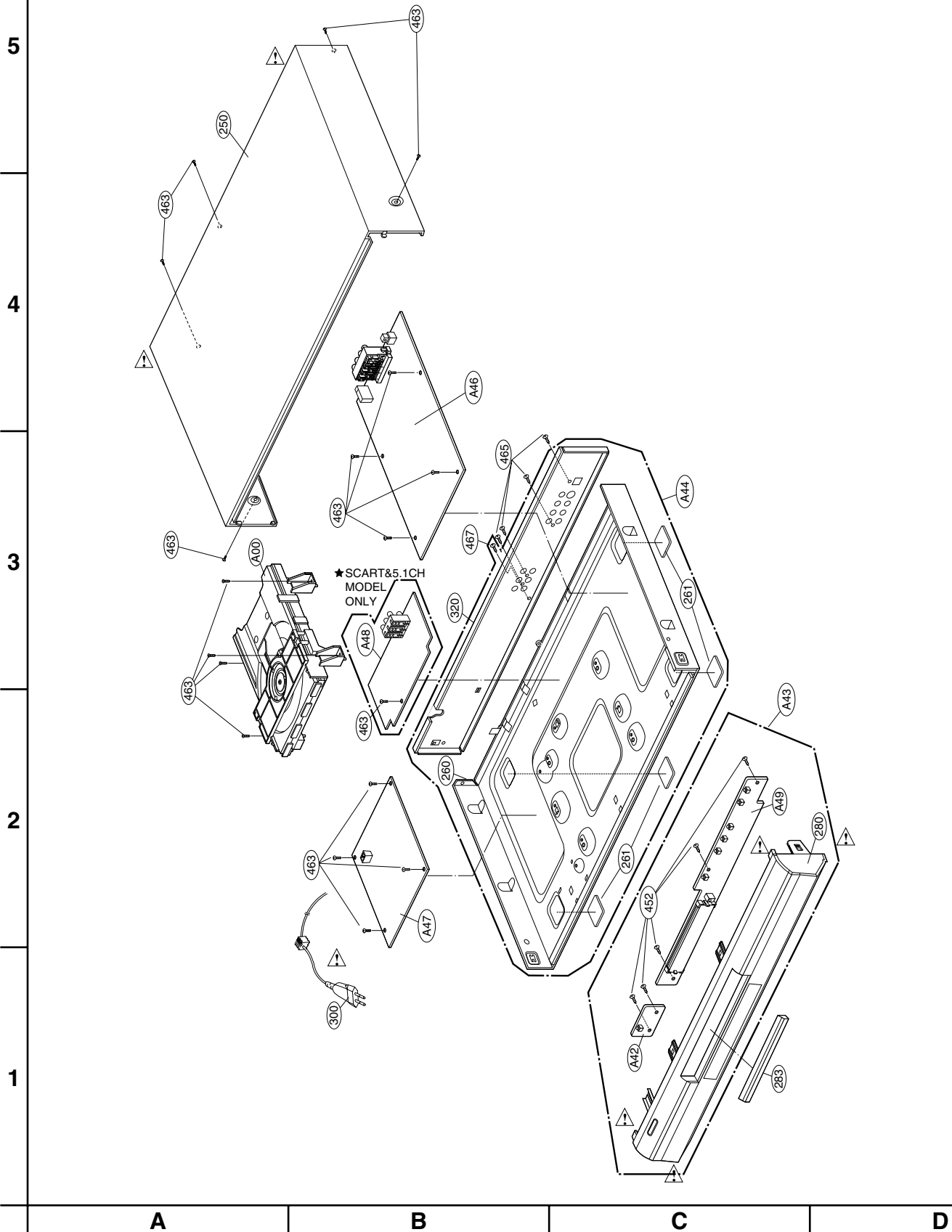
SECTION 2
CABINET & MAIN CHASSIS

CONTENTS

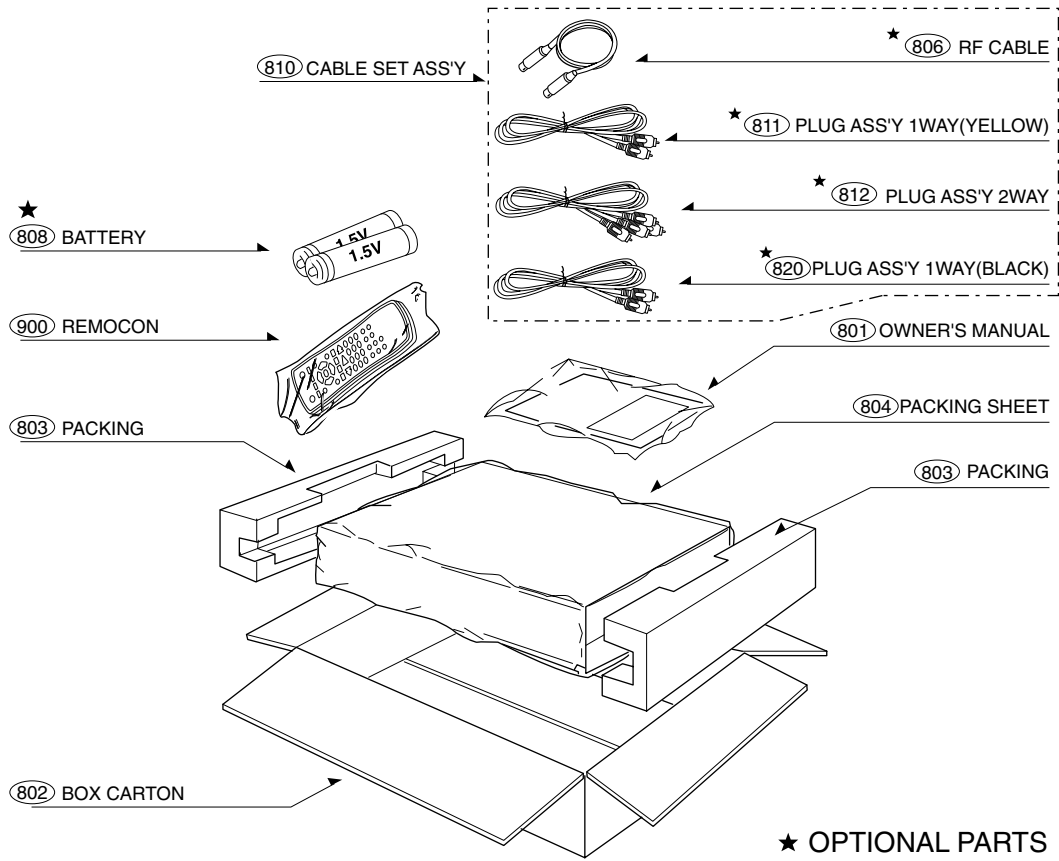
1. EXPLODED VIEWS2-2
 1. Cabinet and Main Frame Section2-2
 2. Packing Accessory Section2-3

EXPLODED VIEWS

1. Cabinet and Main Frame Section



2. Packing Accessory Section

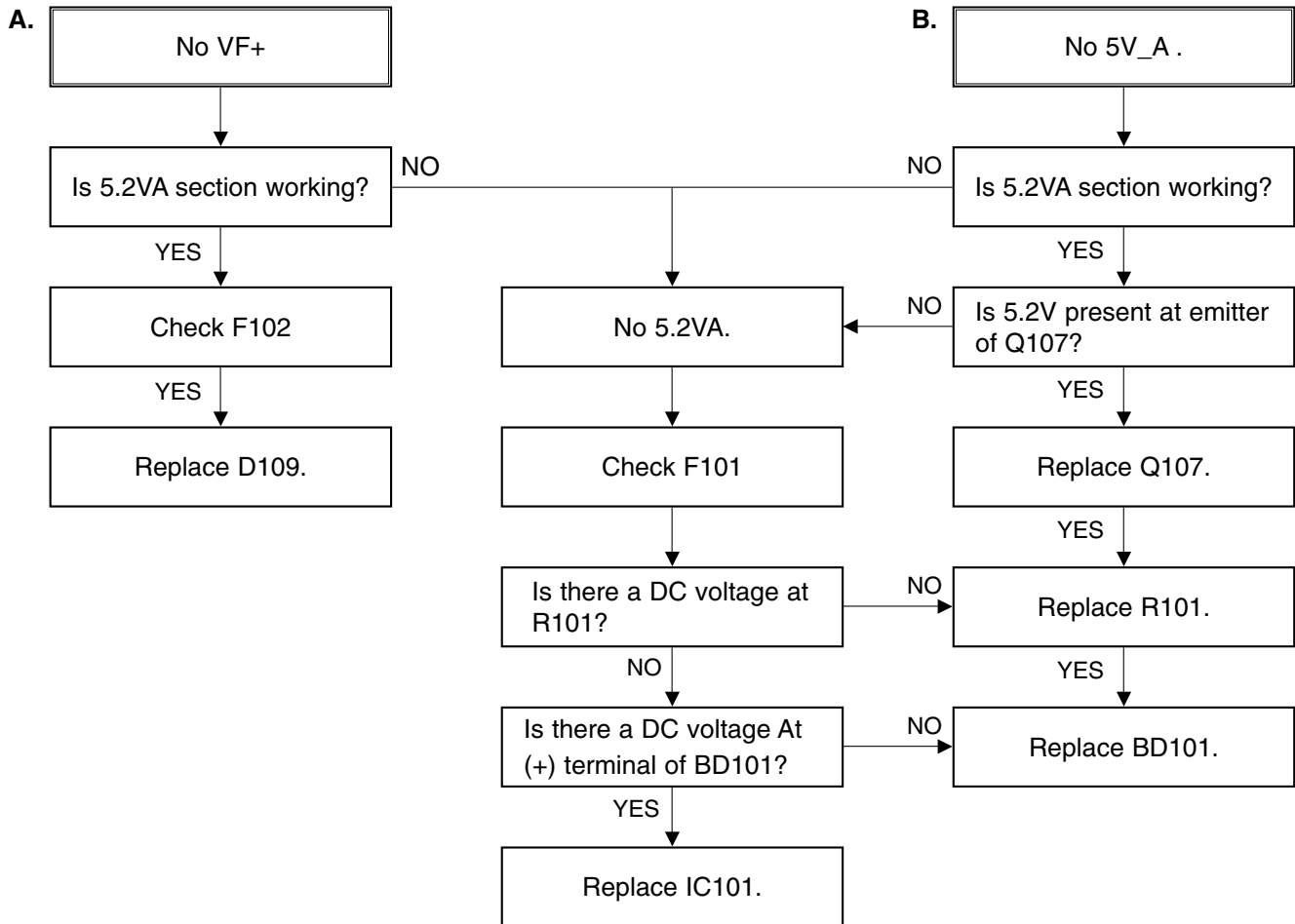


SECTION 3 ELECTRICAL CONTENTS

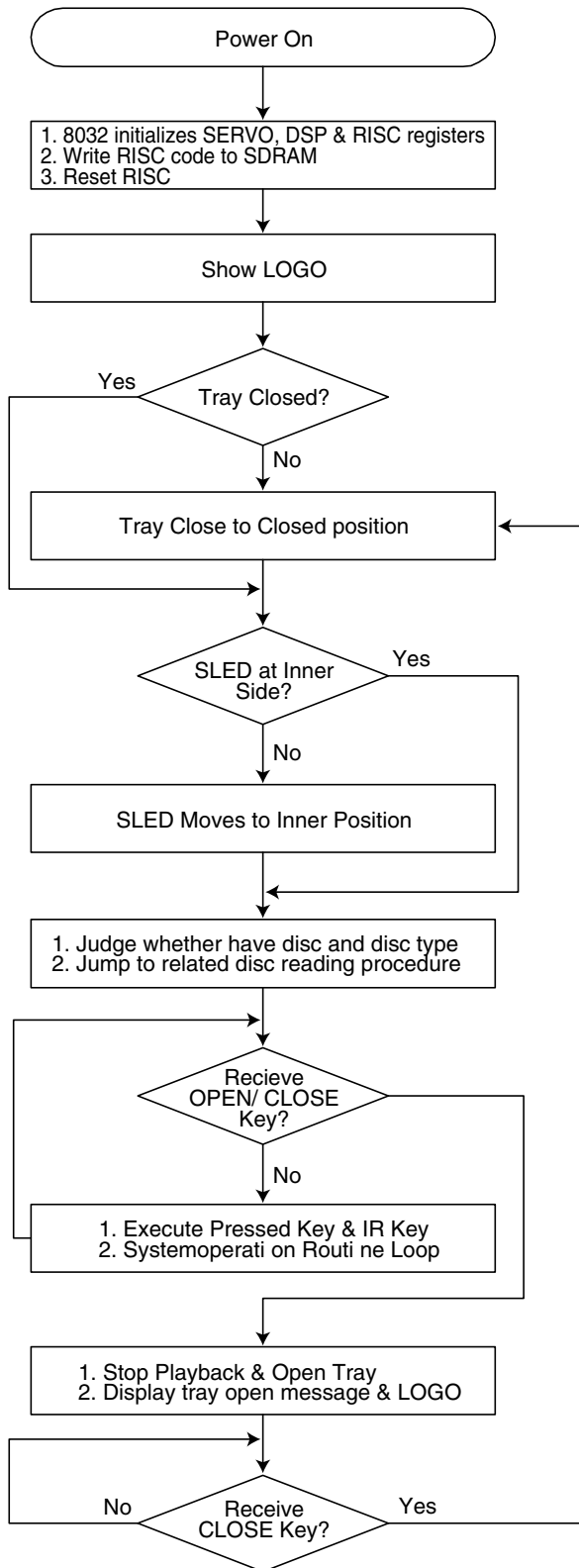
| | |
|--|-------------|
| ELECTRICAL TROUBLESHOOTING GUIDE..... | 3-2 |
| 1. Power check flow..... | 3-2 |
| 2. System operation flow | 3-3 |
| 3. Test & debug flow | 3-4 |
| DETAILS AND WAVEFORMS ON SYSTEM TEST AND DEBUGGING..... | 3-10 |
| 1. SYSTEM 27MHz CLOCK,RESET,FLASH R/W SIGNAL | 3-10 |
| 2. SDRAM CLOCK..... | 3-12 |
| 3. TRAY OPEN/CLOSE SIGNAL | 3-12 |
| 4. SLED CONTROL RELATED SIGNAL (NO DISC CONDITION) | 3-14 |
| 5. LENS CONTROL RELATED SIGNAL(NO DISC CONDITION) | 3-14 |
| 6. LASER POWER CONTROL RELATED SIGNAL(NO DISC CONDITION)..... | 3-15 |
| 7. DISC TYPE JUDGEMENT WAVEFORM | 3-15 |
| 8. FOCUS ON WAVEFORM..... | 3-17 |
| 9. SPINDLE CONTROL WAVEFORM (NO DISC CONDITION)..... | 3-18 |
| 10. TRACKING CONTROL RELATED SIGNAL(System checking)..... | 3-19 |
| 11. RF WAVEFORM | 3-20 |
| 12. MT1379 AUDIO OPTICAL AND COAXIAL OUTPUT (ASPDIF)..... | 3-20 |
| 13. MT1379 VIDEO OUTPUT WAVEFORM..... | 3-21 |
| 14. AUDIO OUTPUT FROM AUDIO DAC | 3-22 |
| BLOCK DIAGRAMS | 3-24 |
| 1. Overall Block Diagram | 3-24 |
| 2. Power(SMPS) Block Diagram | 3-25 |
| 3. SERVO Block Diagram | 3-26 |
| 4. MPEG & MEMORY Block Diagram | 3-27 |
| 5. VIDEO & AUDIO Block Diagram | 3-28 |
| CIRCUIT DIAGRAMS..... | 3-29 |
| 1. Power(SMPS) Circuit DIAGRAM..... | 3-29 |
| 2. SYSTEM Circuit DIAGRAM | 3-31 |
| 3. RF & SERVO Circuit DIAGRAM | 3-33 |
| 4. TIMER, 5.1CH, SCART, KARAOKE Circuit DIAGRAM | 3-35 |
| 5. AV/JACK Circuit DIAGRAM..... | 3-37 |
| • CIRCUIT VOLTAGE CHART | 3-39 |
| PRINTED CIRCUIT DIAGRAMS | 3-43 |
| 1. MAIN P.C.BOARD | 3-43 |
| 2. KEY P.C.BOARD..... | 3-45 |
| 3. TIMER P.C.BOARD | 3-45 |
| 4. SMPS P.C.BOARD..... | 3-47 |
| 5. 5.1CH P.C.BOARD..... | 3-48 |

ELECTRICAL TROUBLESHOOTING GUIDE

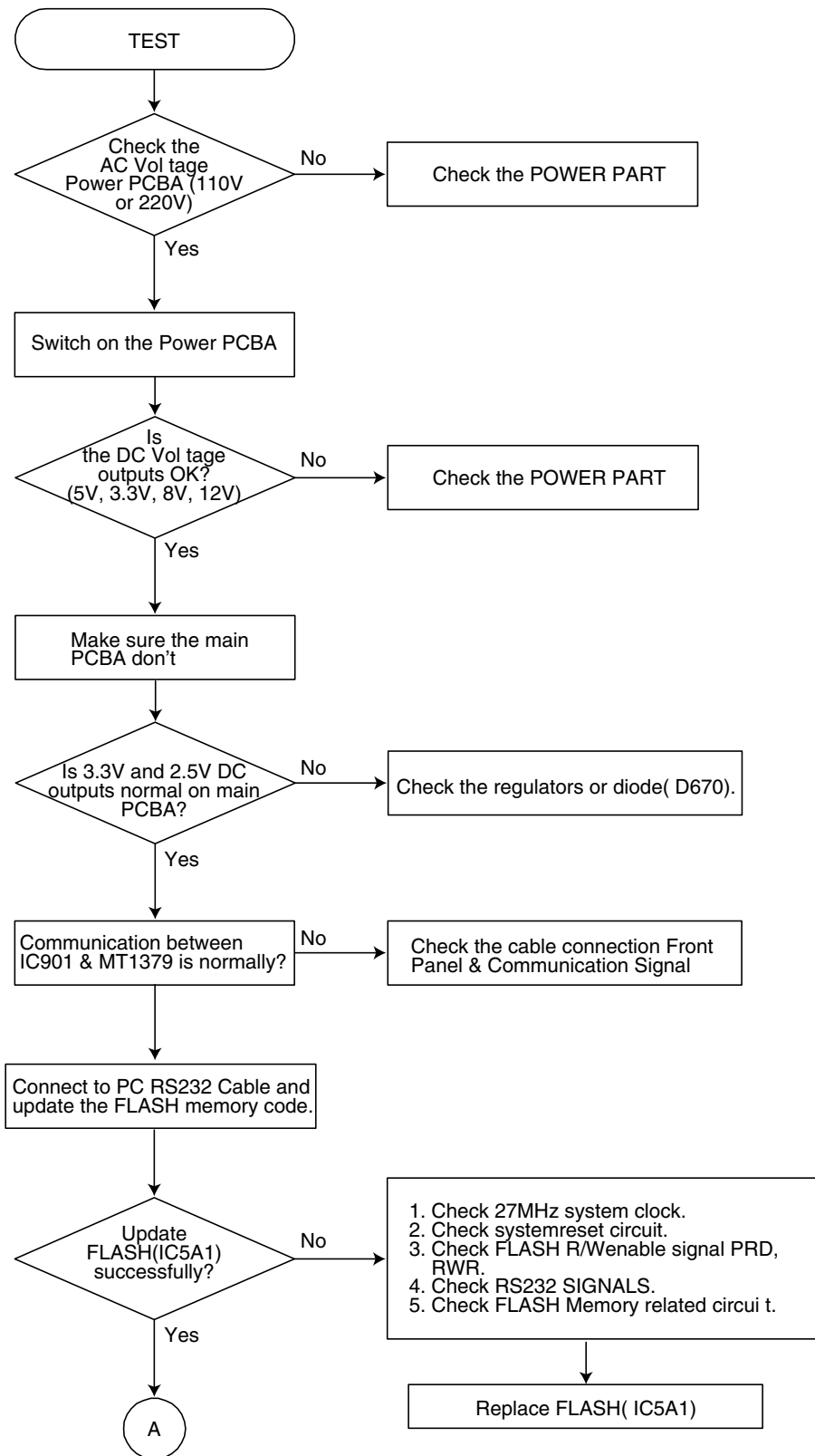
1. Power check flow

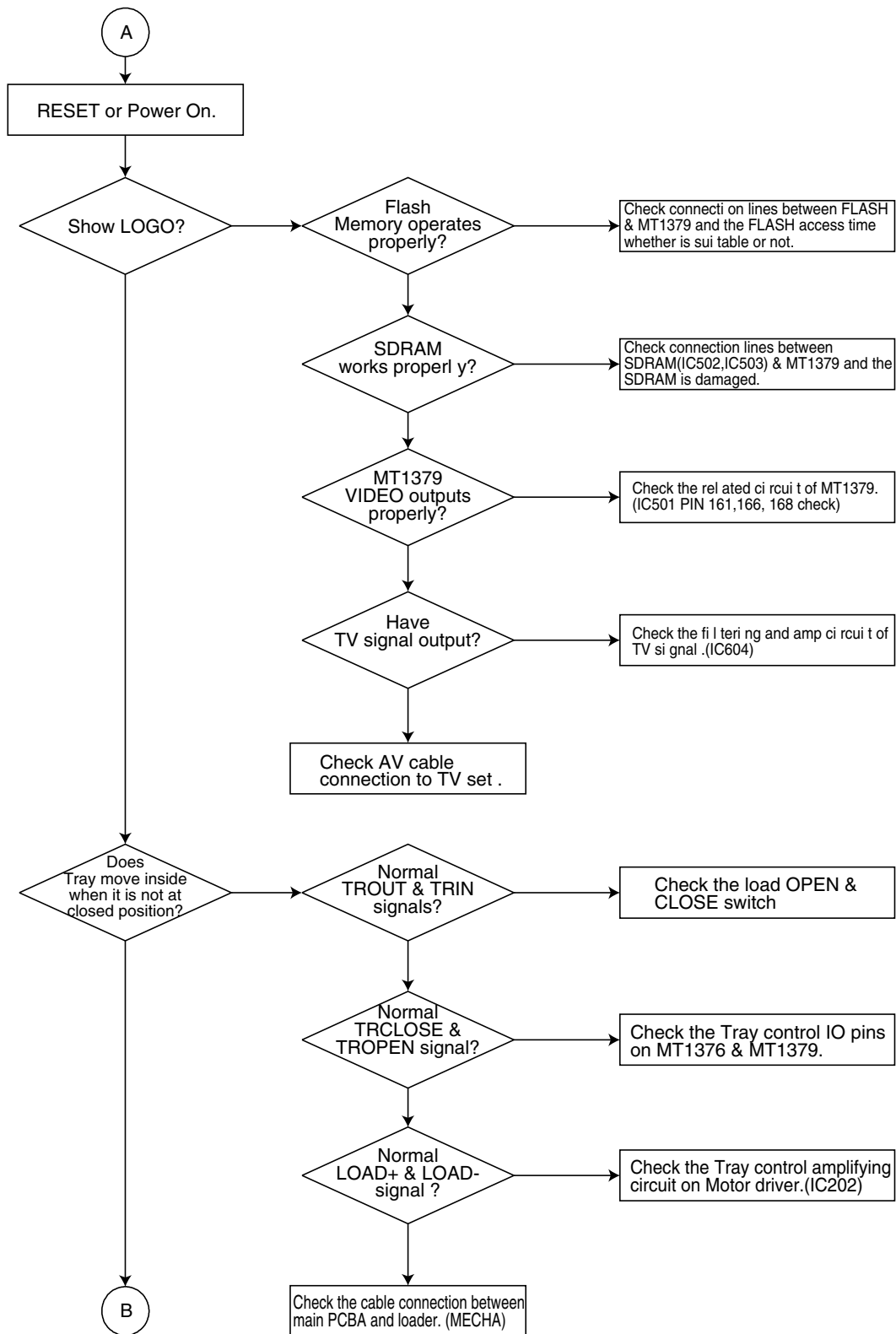


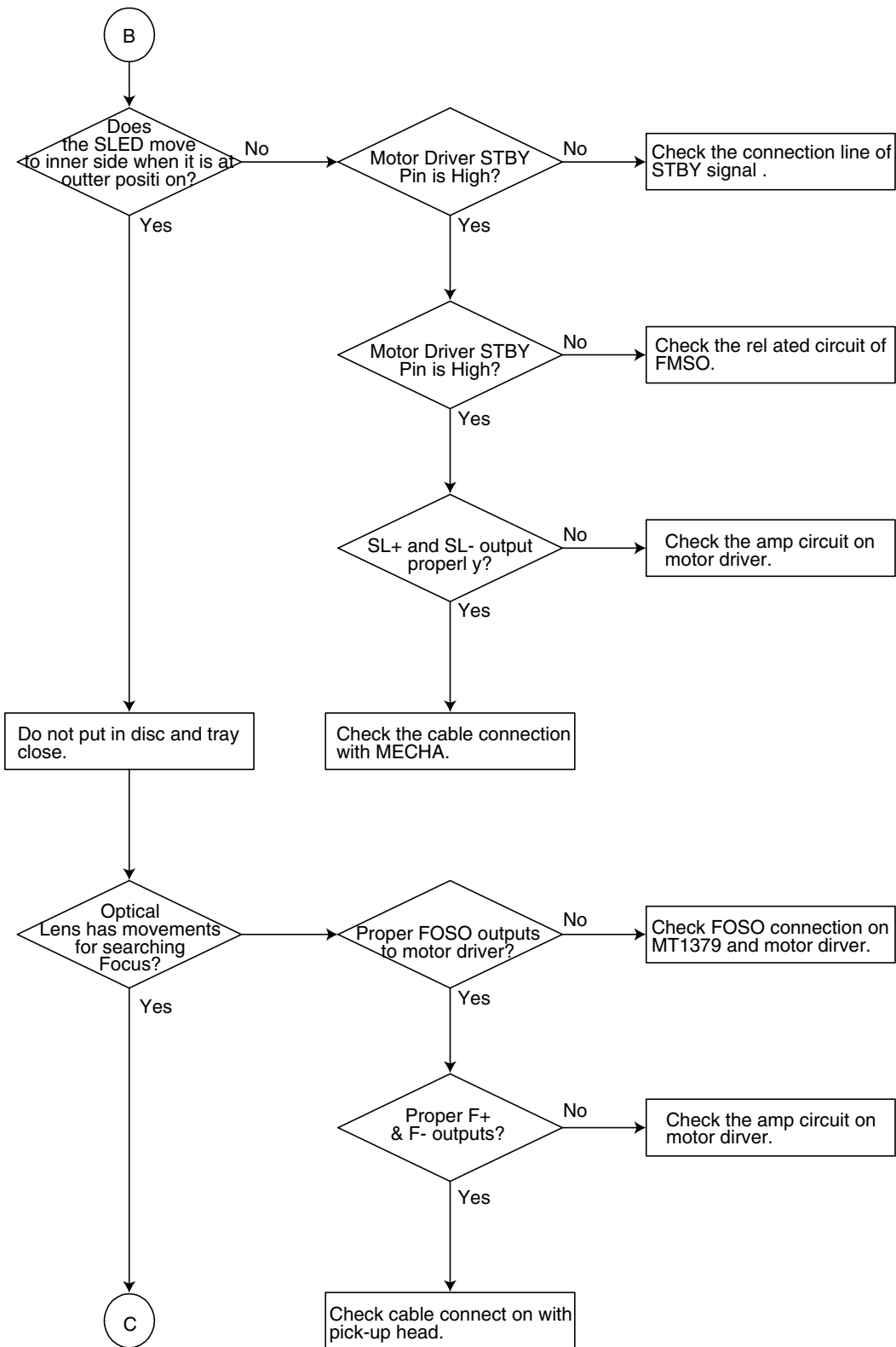
2. System operation flow

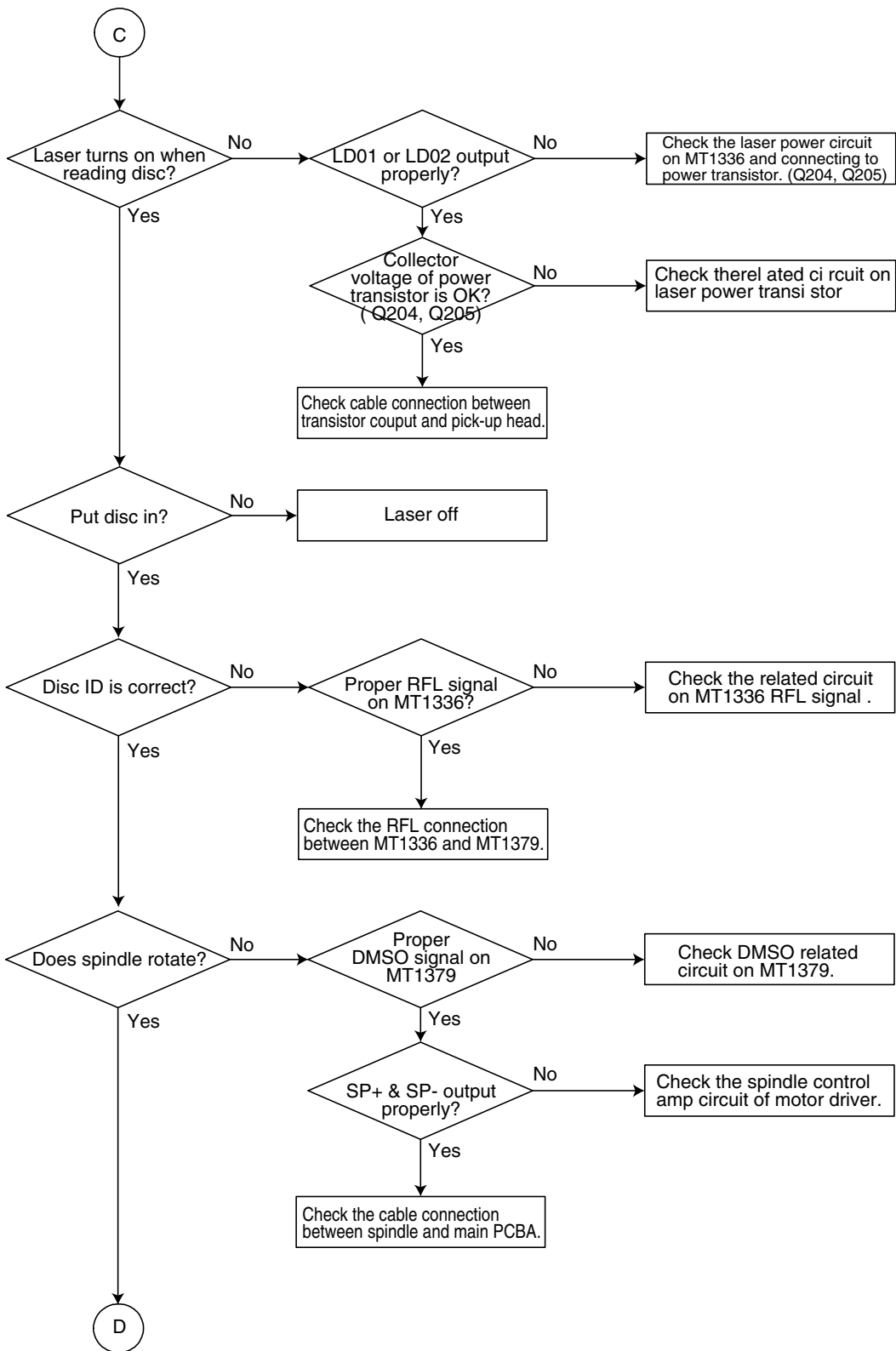


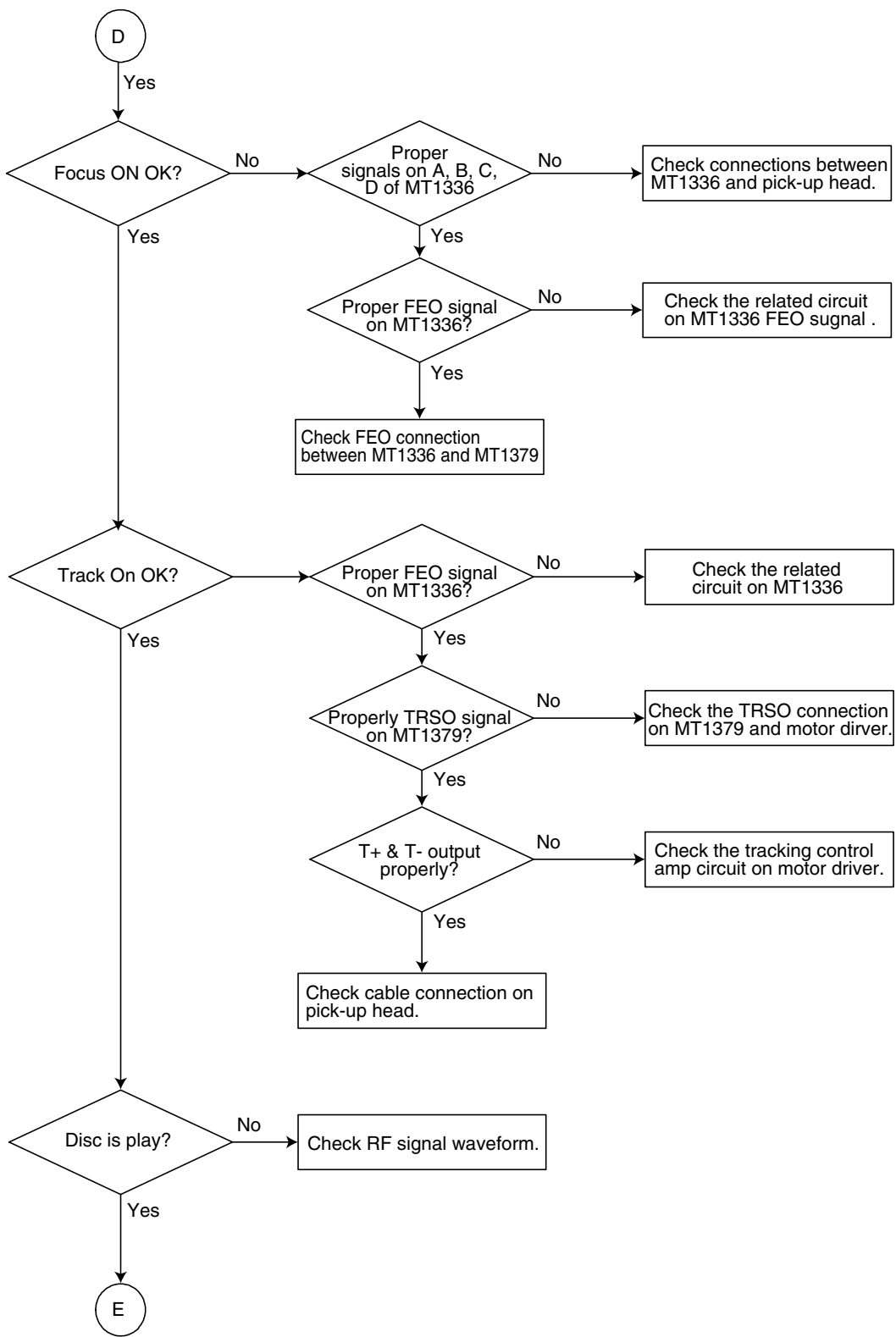
3. Test & debug flow

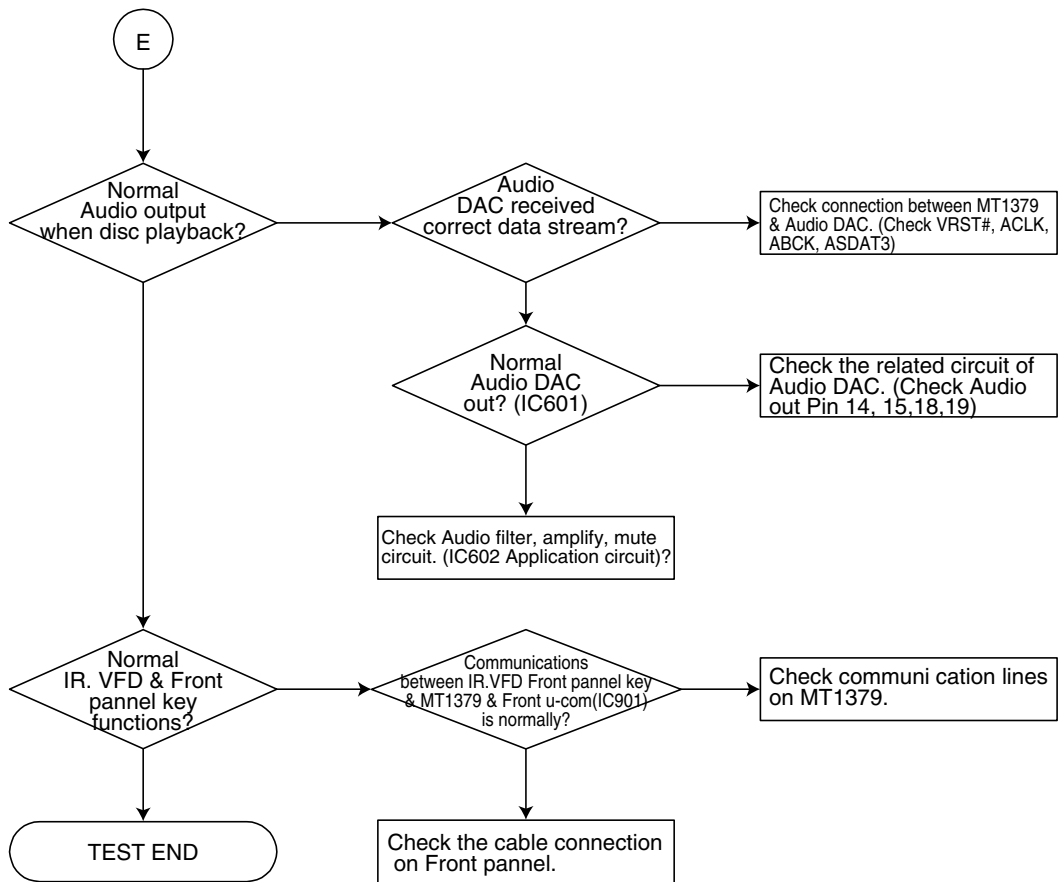












DETAILS AND WAVEFORMS ON SYSTEM TEST AND DEBUGGING

1. SYSTEM 27MHz CLOCK,RESET,FLASH R/W SIGNAL

1) MT1379 main clock is at 27MHz(X501)

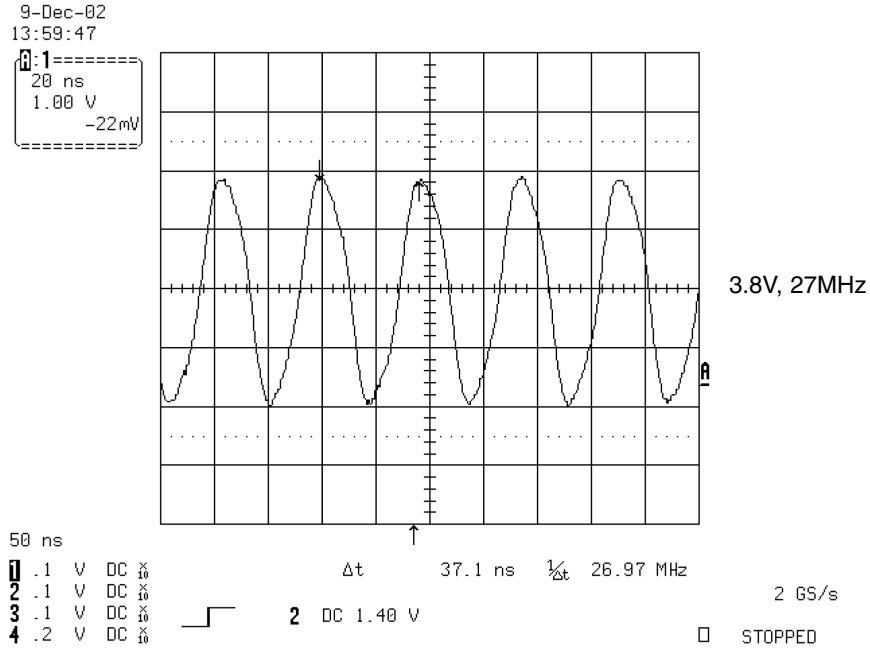


FIG 1-1

2) MT1379 & MT1336 reset is high active.

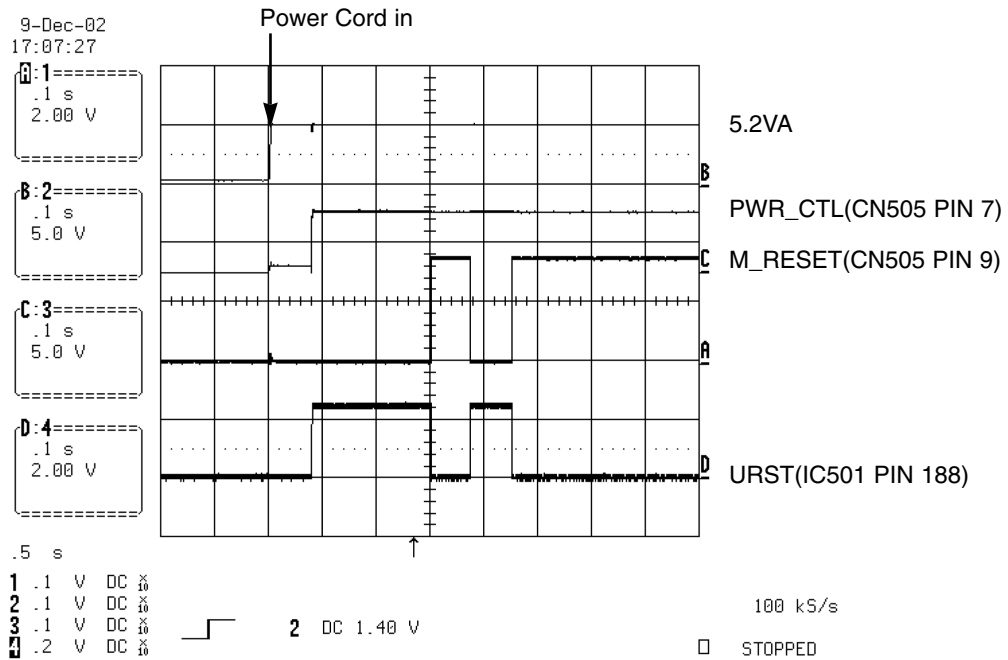


FIG 1-2

3) RS232 waveform during procedure(Downloading)

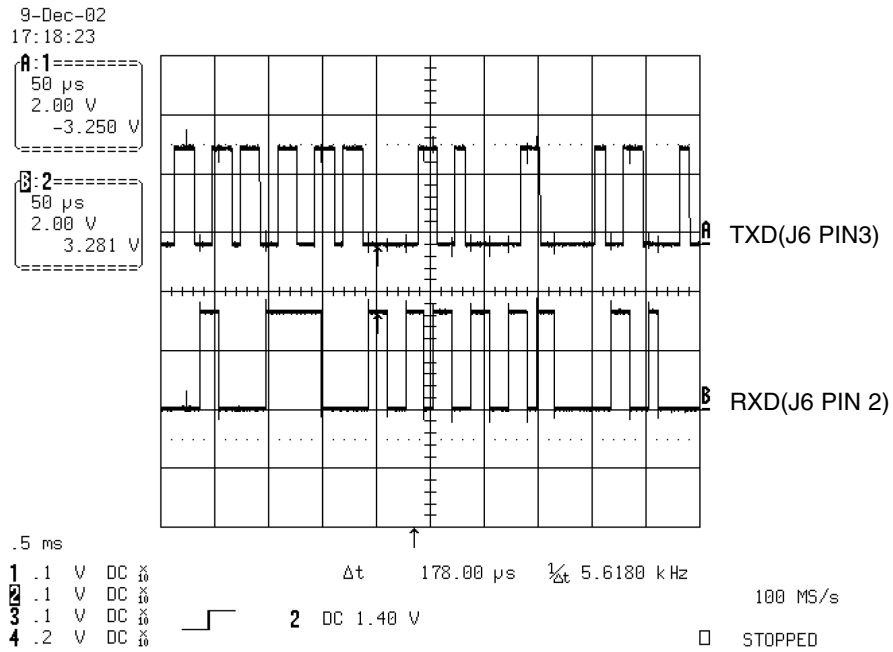


FIG 1-3

4) Flash R/W enable signal during download(Downloading)

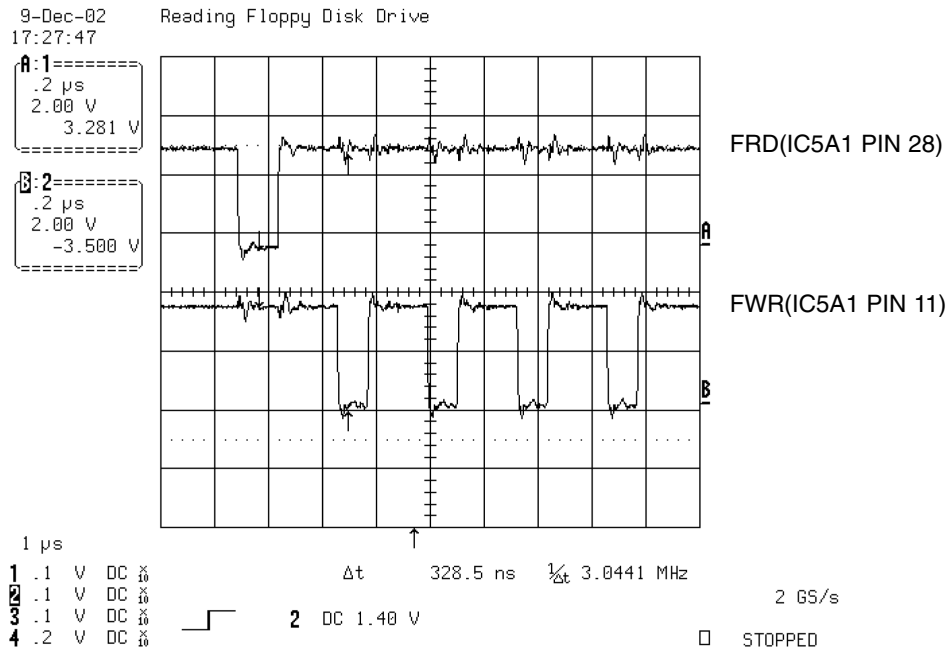


FIG 1-4

2. SDRAM CLOCK

1) MT1379 main clock is at 27MHz(X501)

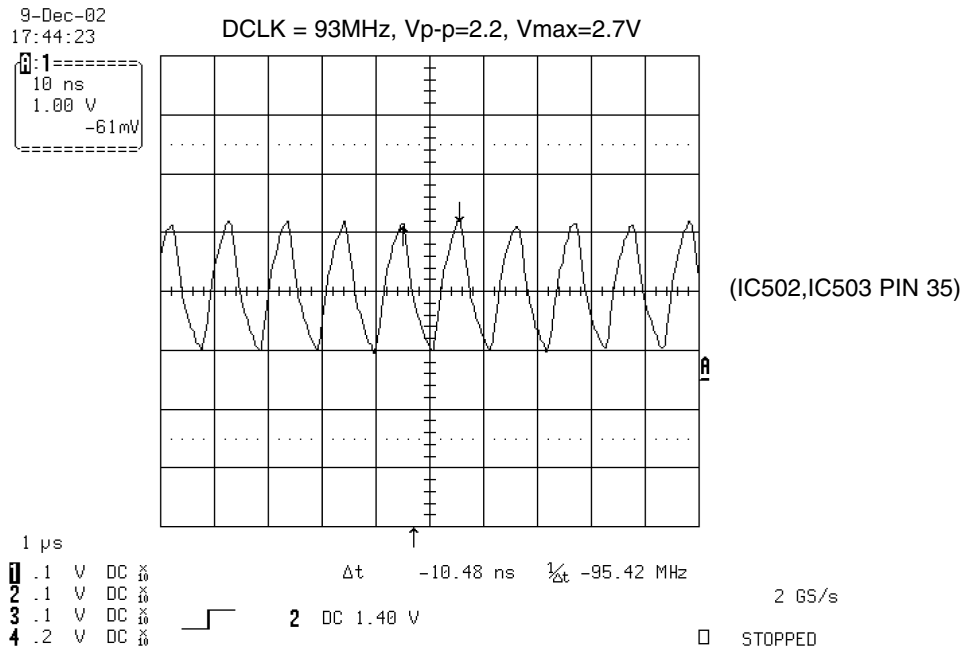


FIG 2-1

3. TRAY OPEN/CLOSE SIGNAL

1) Tray open/close waveform

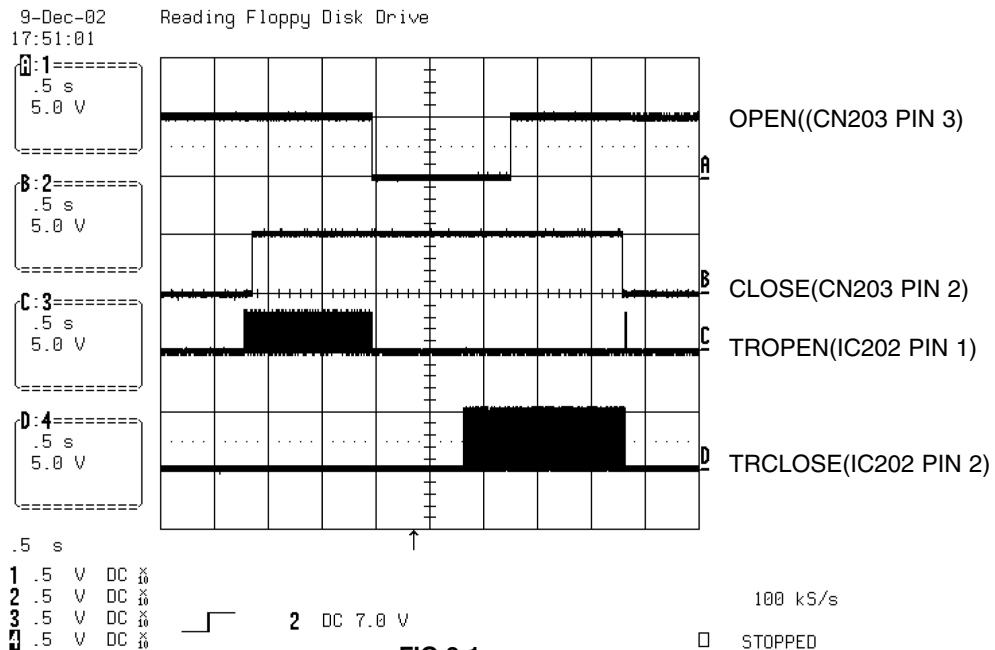


FIG 3-1

2) Tray close waveform

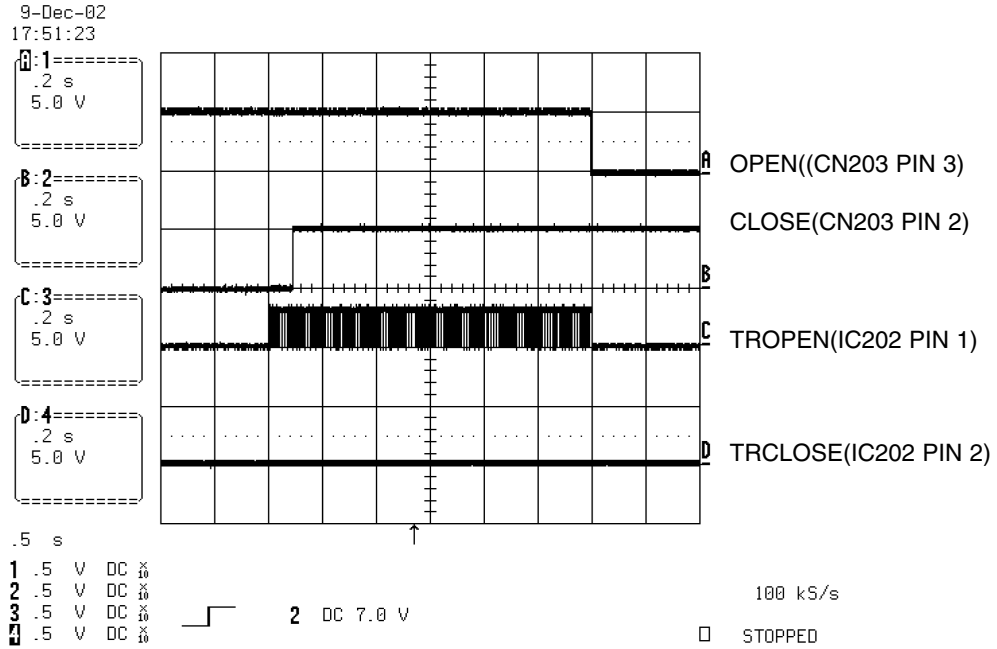


FIG 3-2

3) Tray open waveform

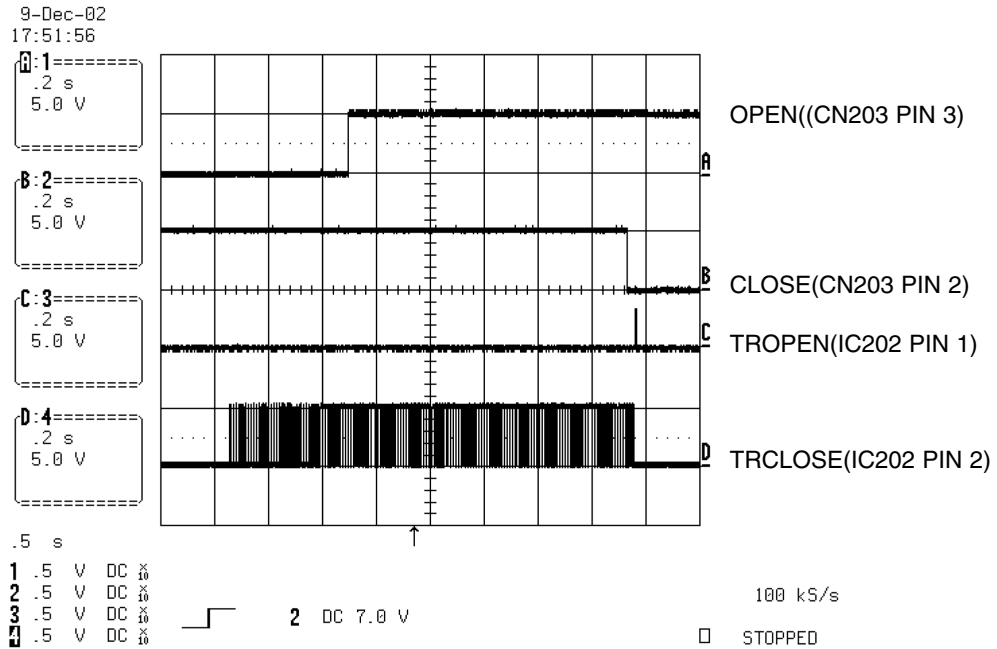


FIG 3-3

4. SLED CONTROL RELATED SIGNAL (NO DISC CONDITION)

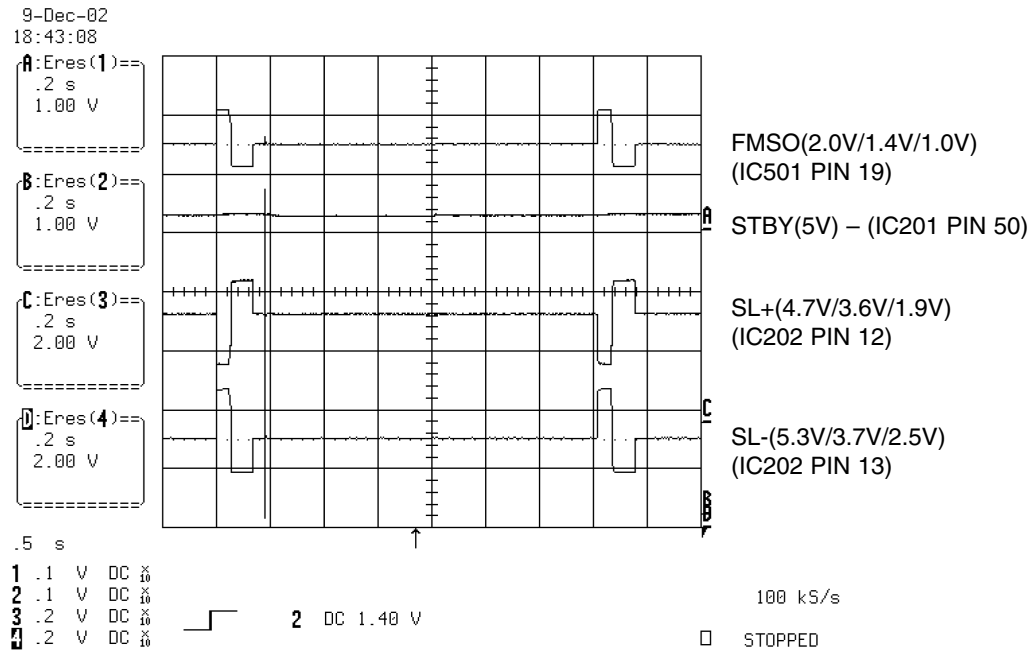


FIG 4-1

5. LENS CONTROL RELATED SIGNAL(NO DISC CONDITION)

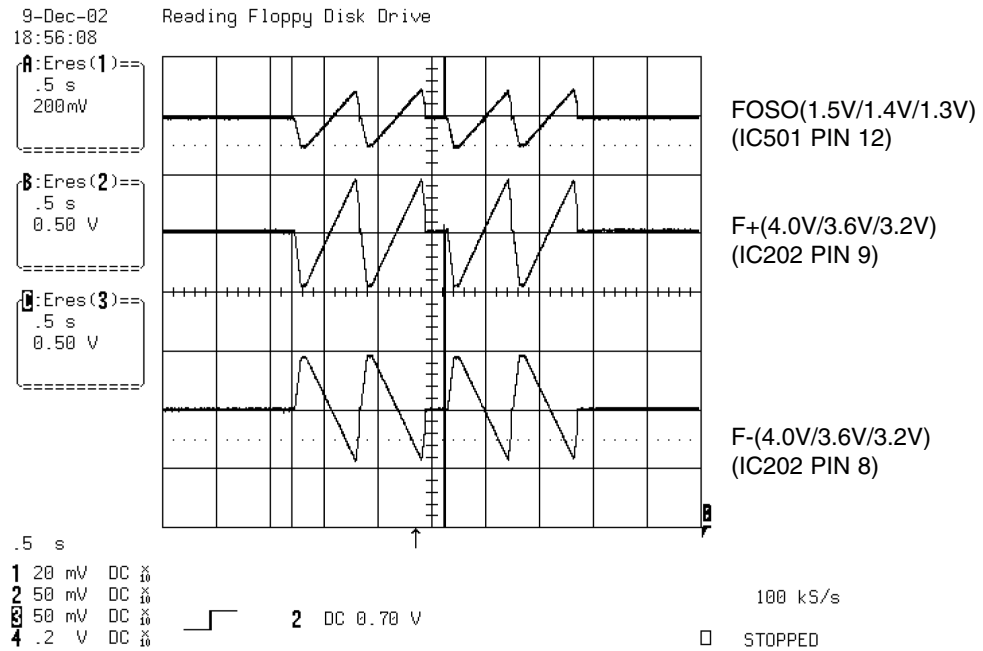


FIG 5-1

6. LASER POWER CONTROL RELATED SIGNAL(NO DISC CONDITION)

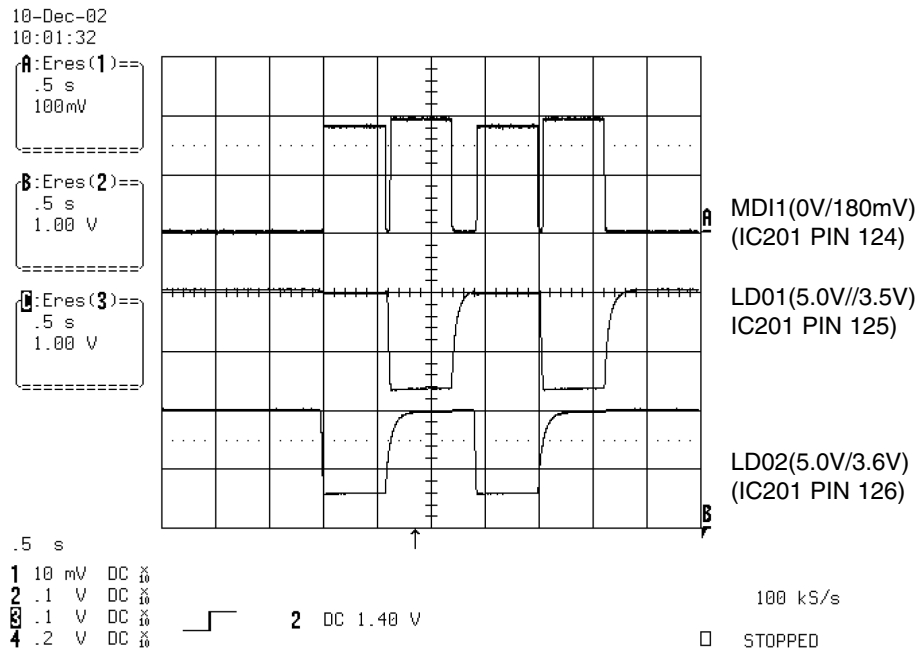


FIG 6-1

7. DISC TYPE JUDGEMENT WAVEFORM

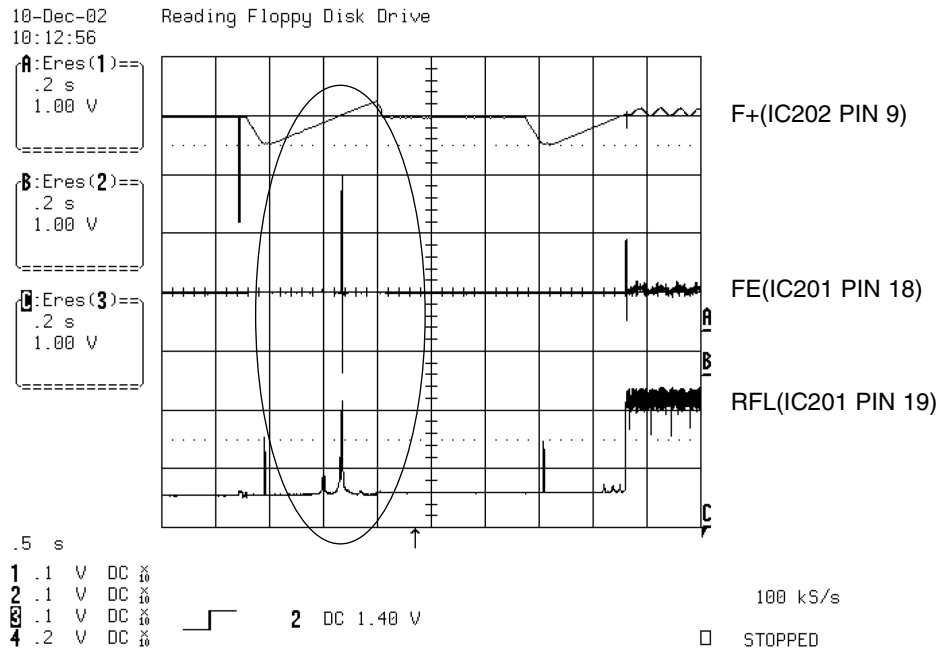


FIG 7-1 (DVD)

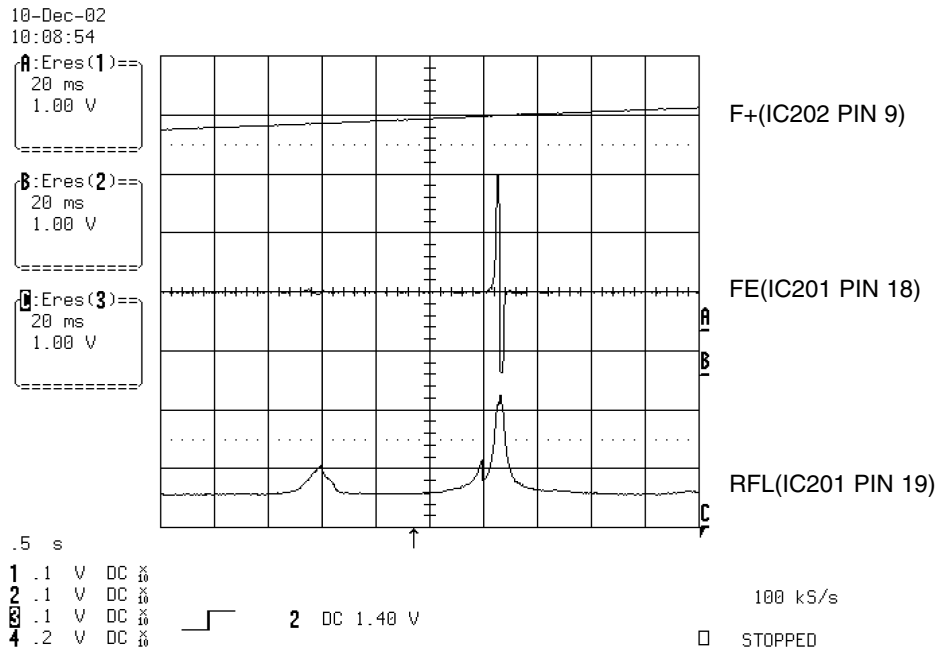


FIG 7-2 (DVD)

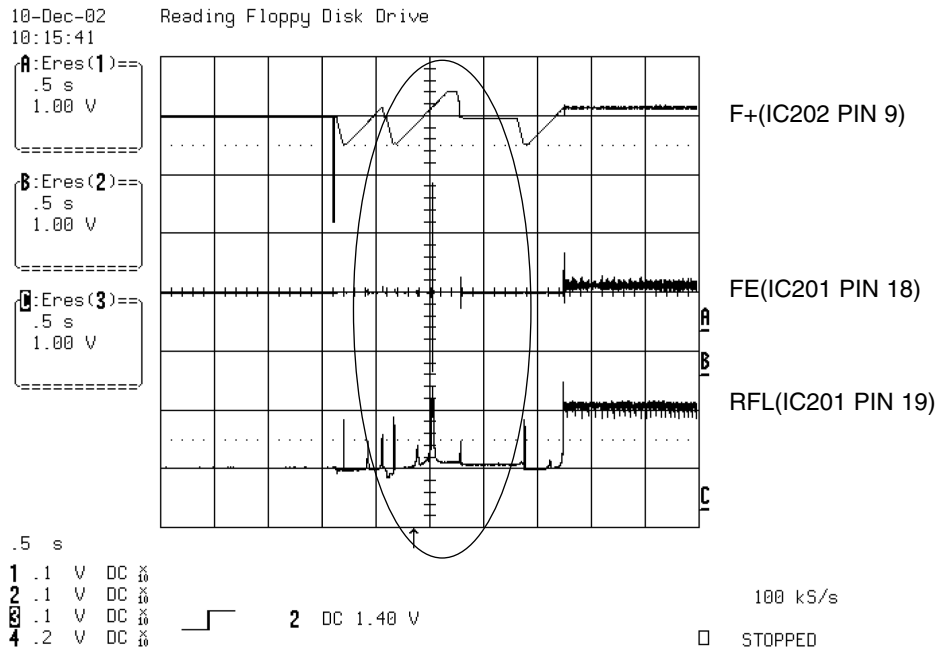


FIG 7-3 (CD)

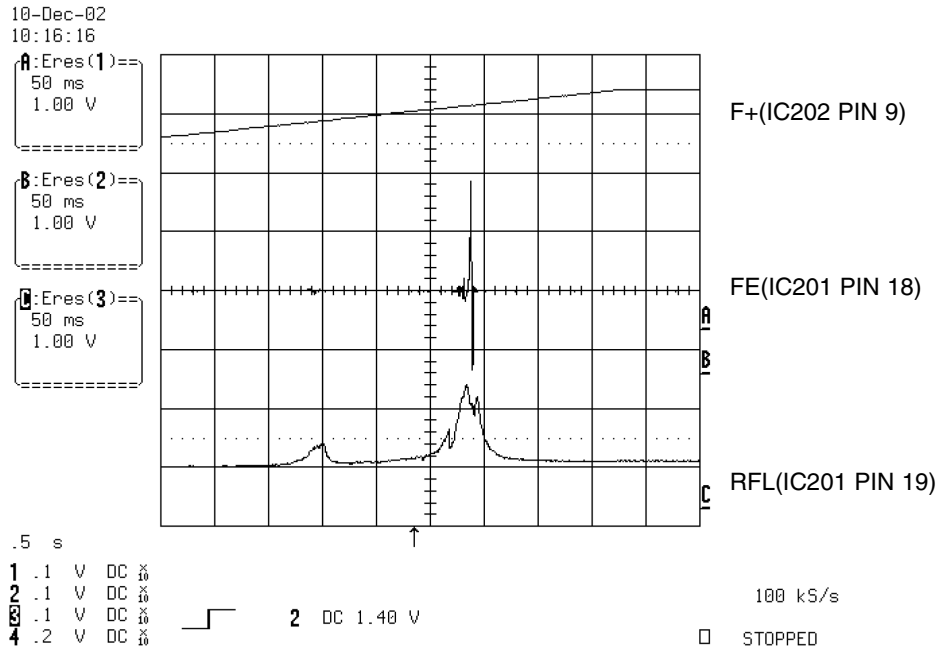


FIG 7-4 (CD)

8. FOCUS ON WAVEFORM

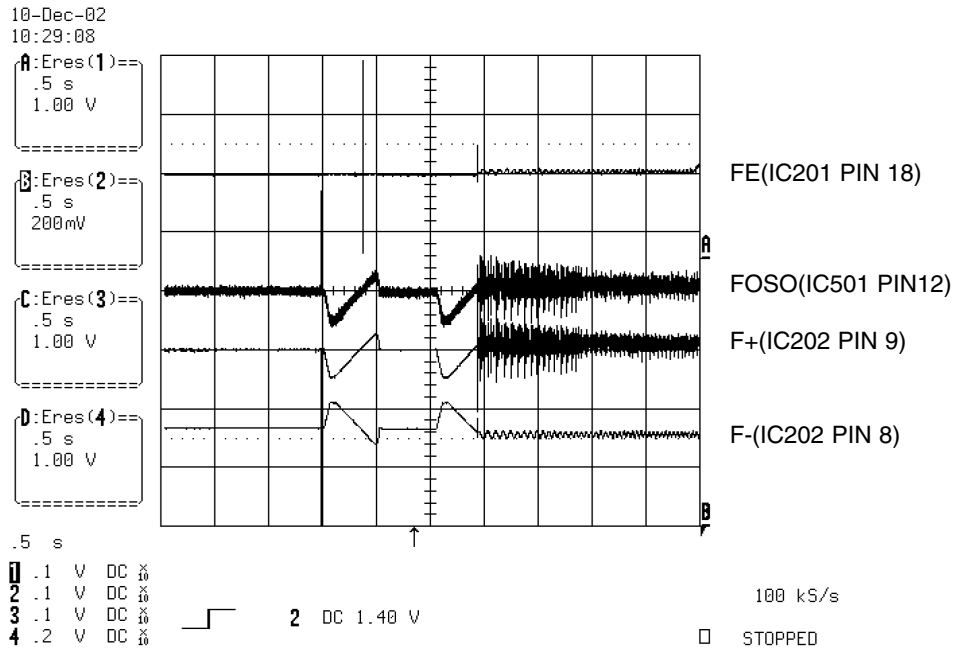


FIG 8-1 (DVD)

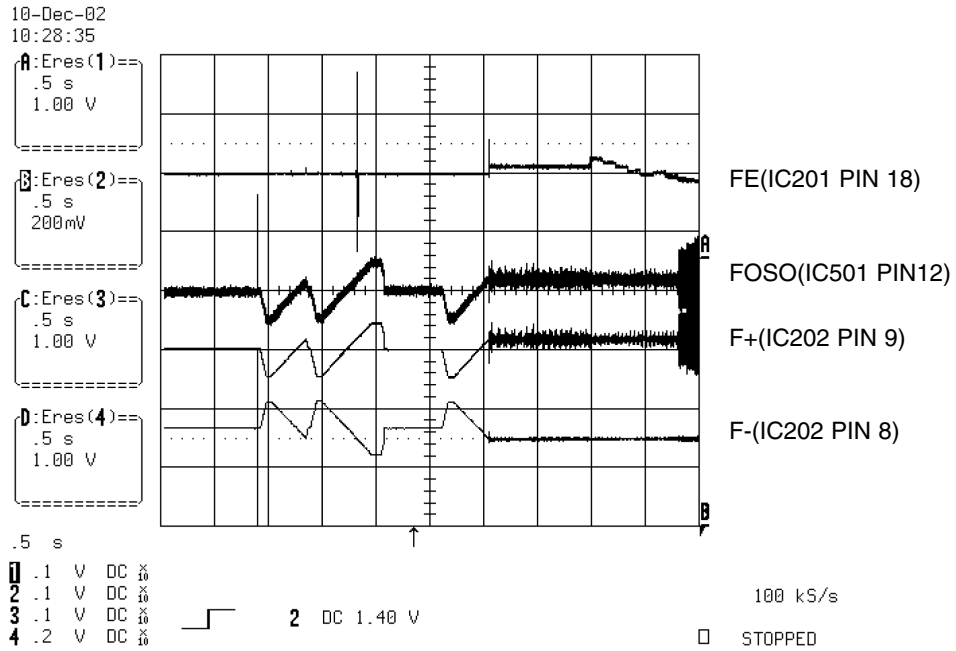


FIG 8-2 (CD)

9. SPINDLE CONTROL WAVEFORM (NO DISC CONDITION)

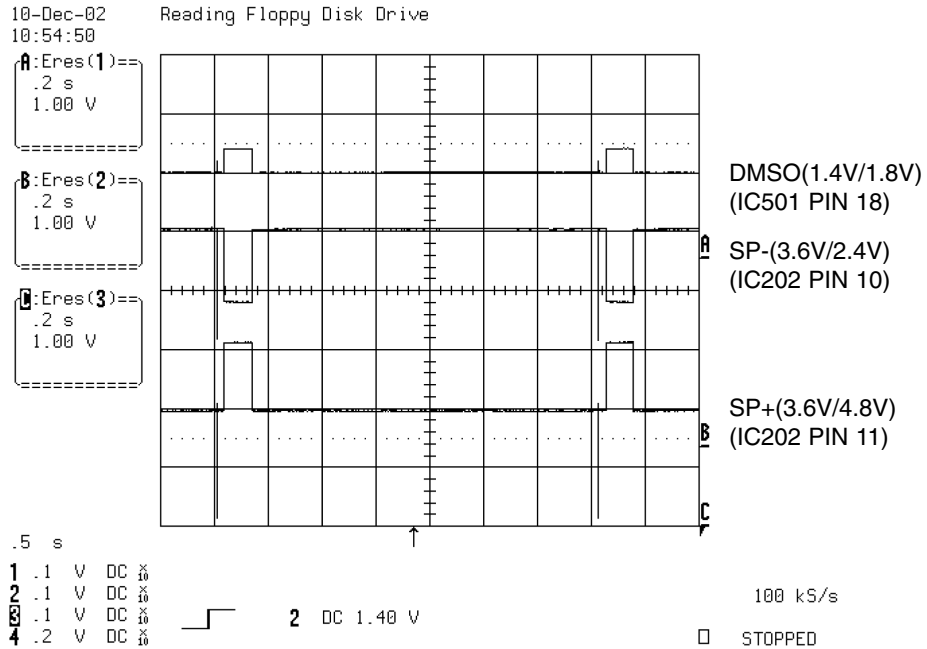


FIG 9-1

10. TRACKING CONTROL RELATED SIGNAL(System checking)

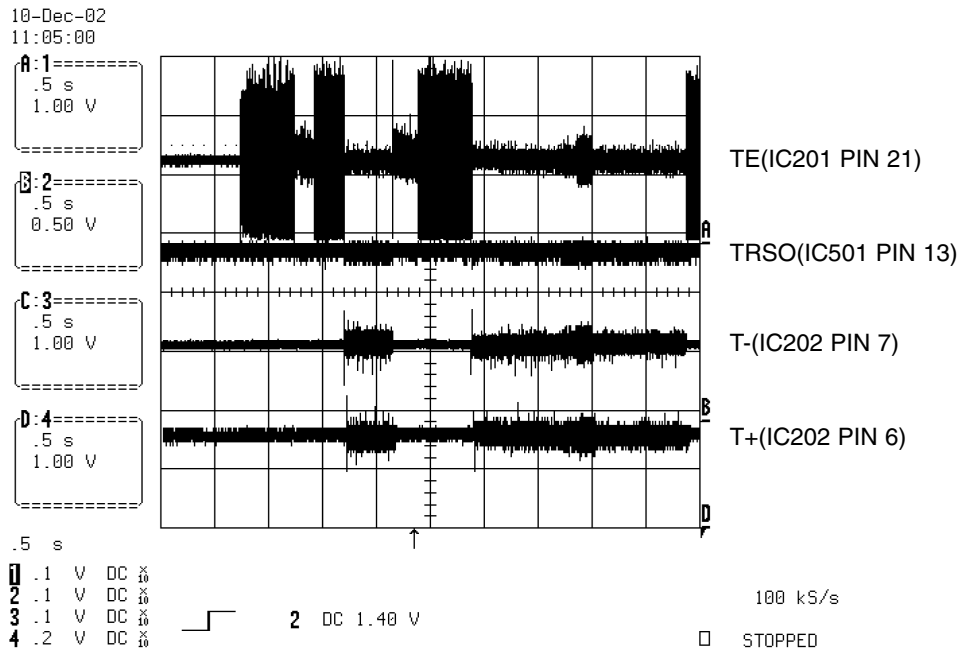


FIG 10-1(DVD)

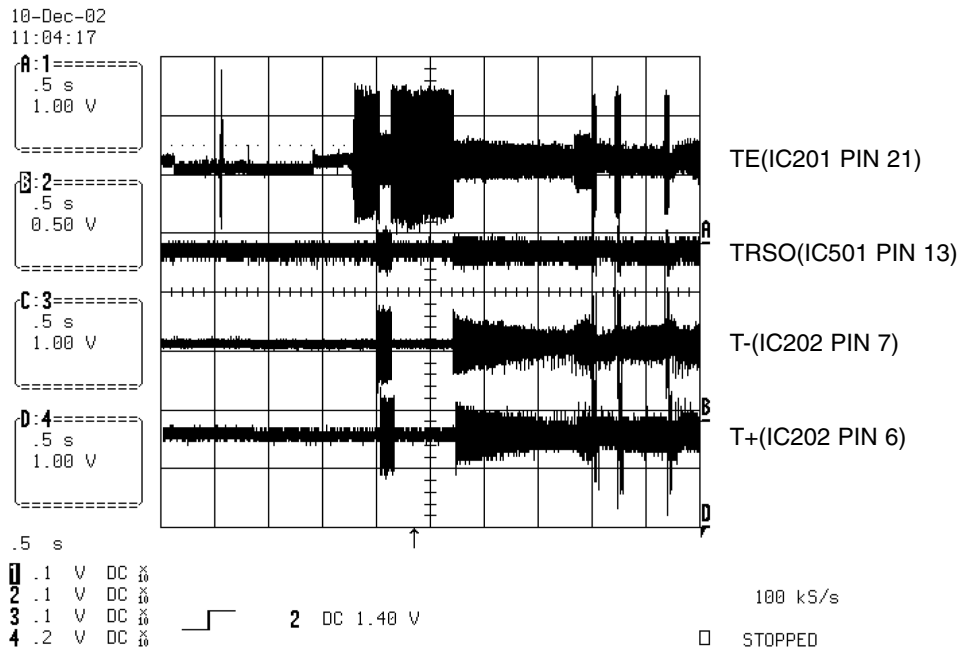


FIG 10-2(CD)

11. RF WAVEFORM

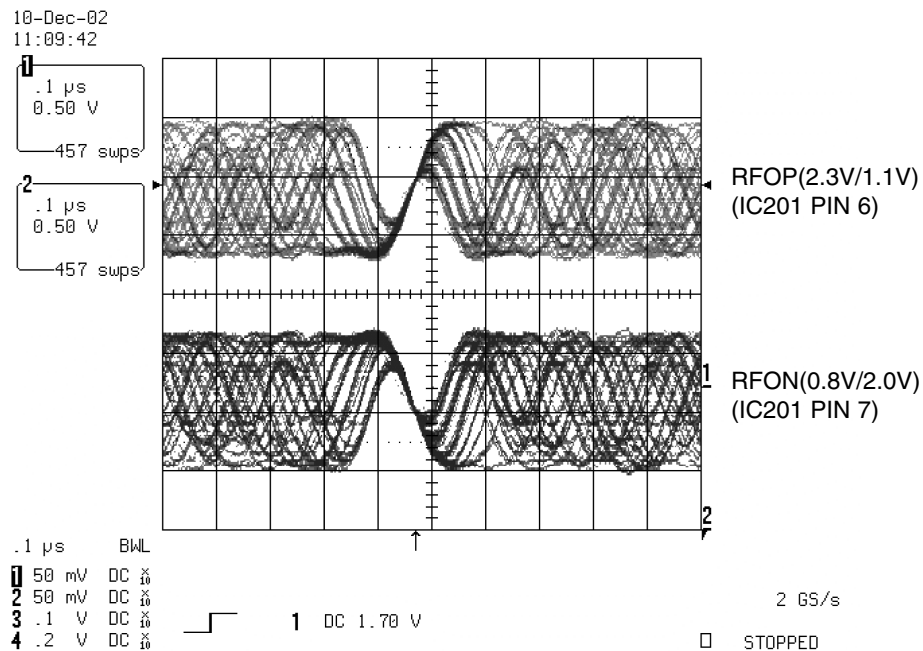


FIG 11-1

12. MT1379 AUDIO OPTICAL AND COAXIAL OUTPUT (ASPDIF)

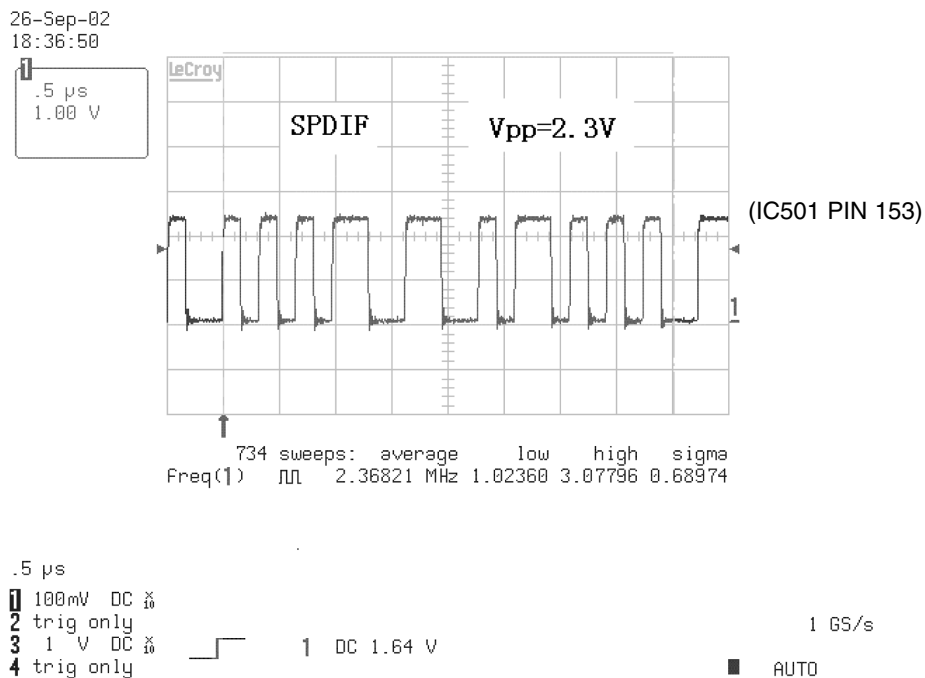


FIG 12-1

13. MT1379 VIDEO OUTPUT WAVEFORM

1) Full colorbar signal(CVBS)

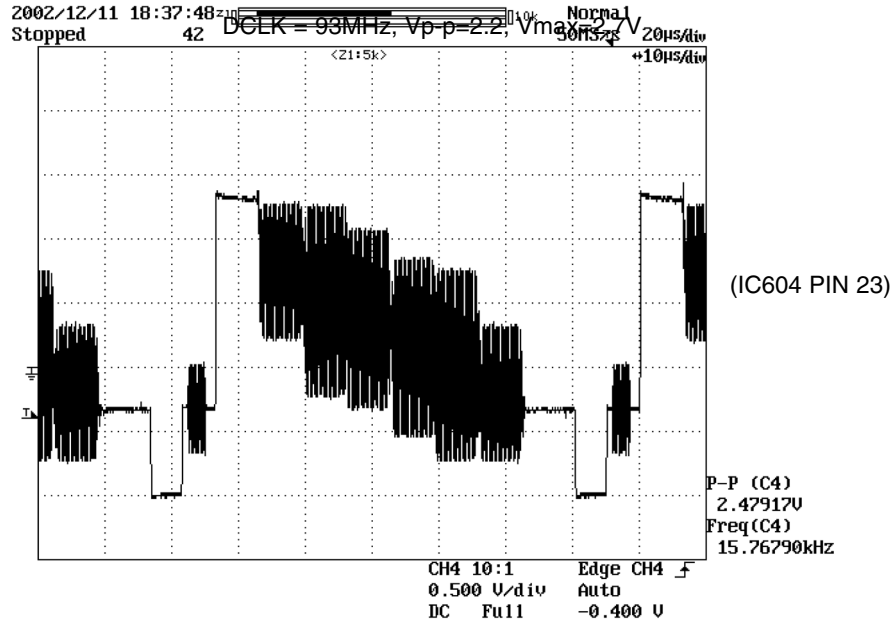


FIG 13-1

2) Y

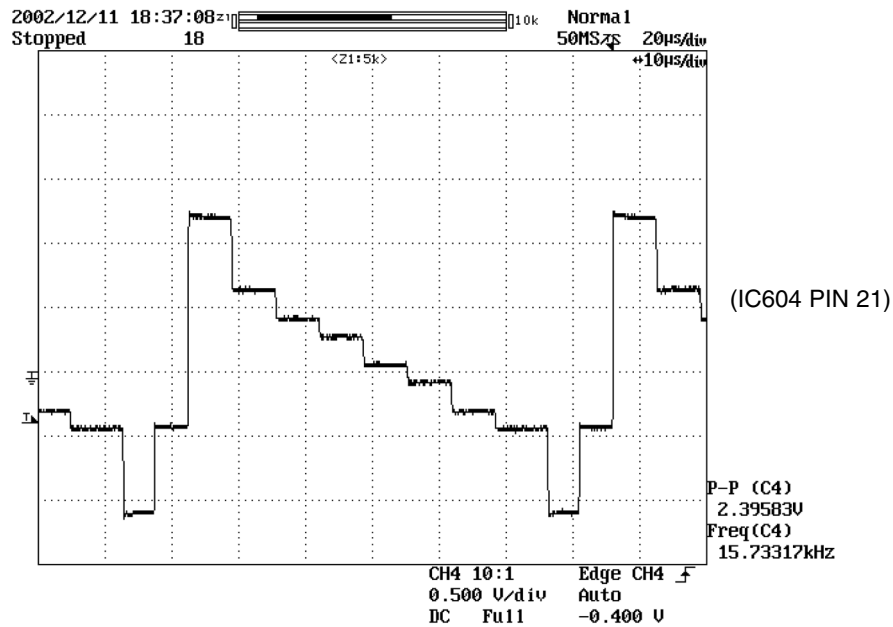


FIG 13-2

3) C

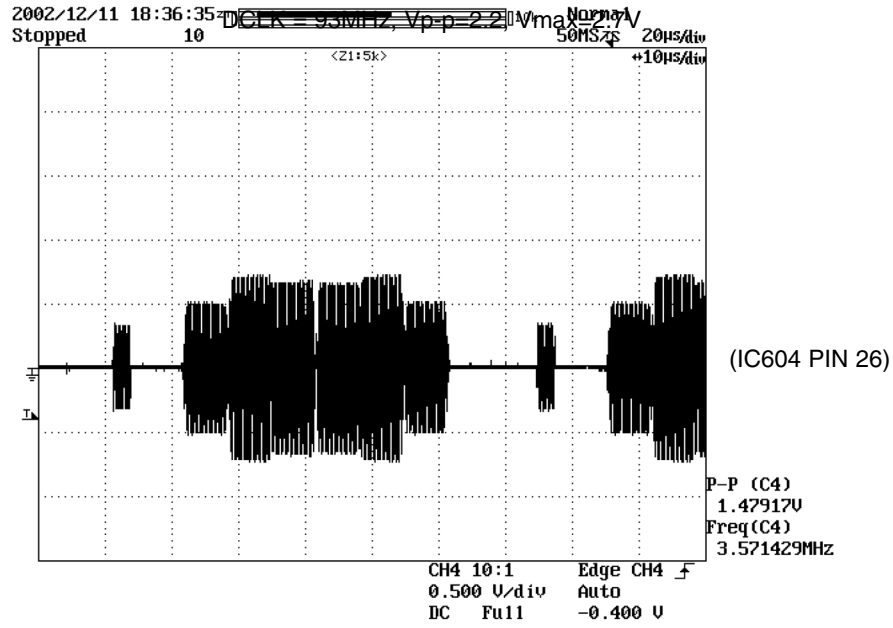


FIG 13-3

14. AUDIO OUTPUT FROM AUDIO DAC

1) Audio L/R

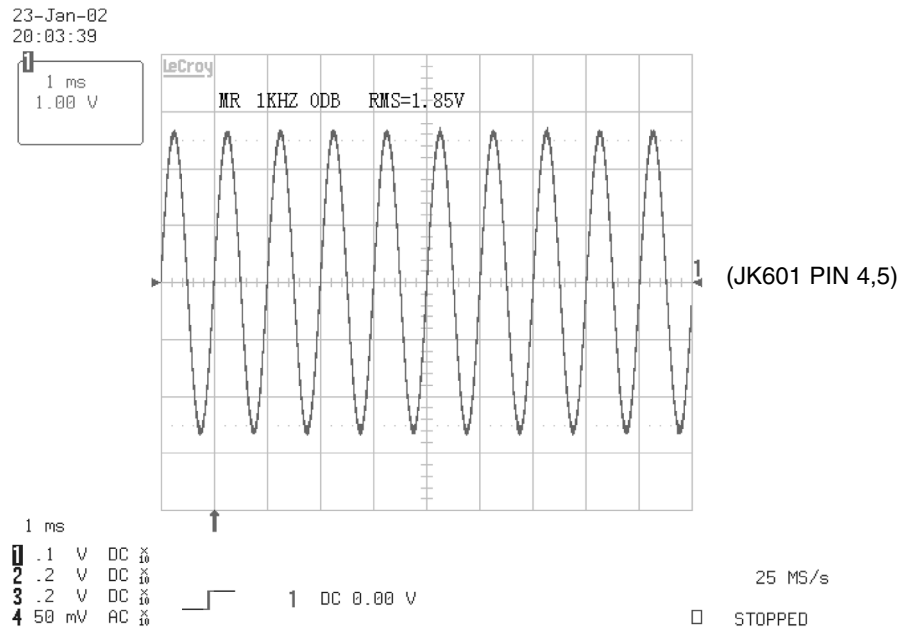


FIG 14-1

2) Audio related Signal

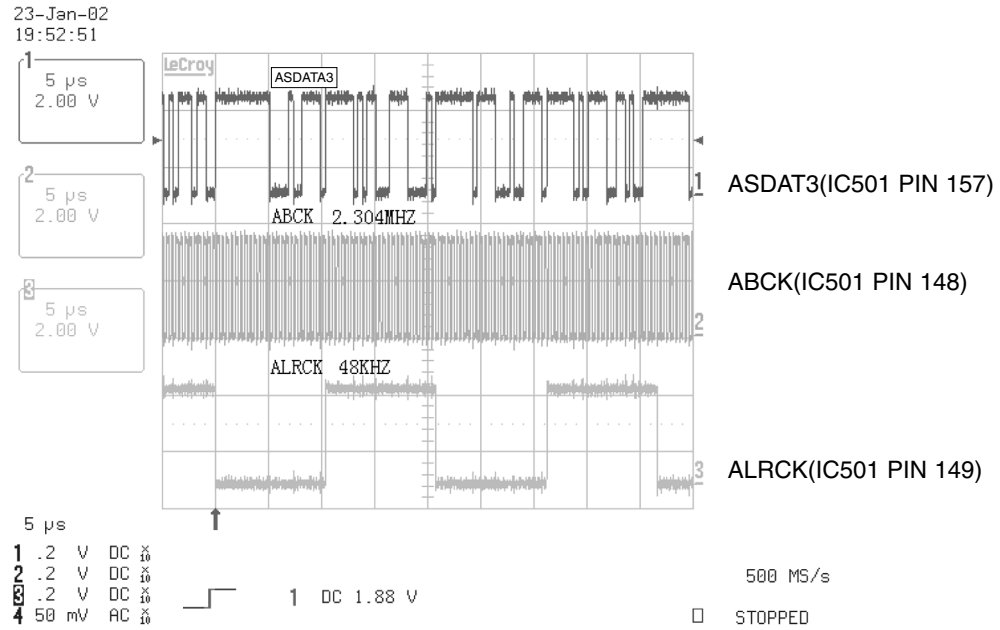
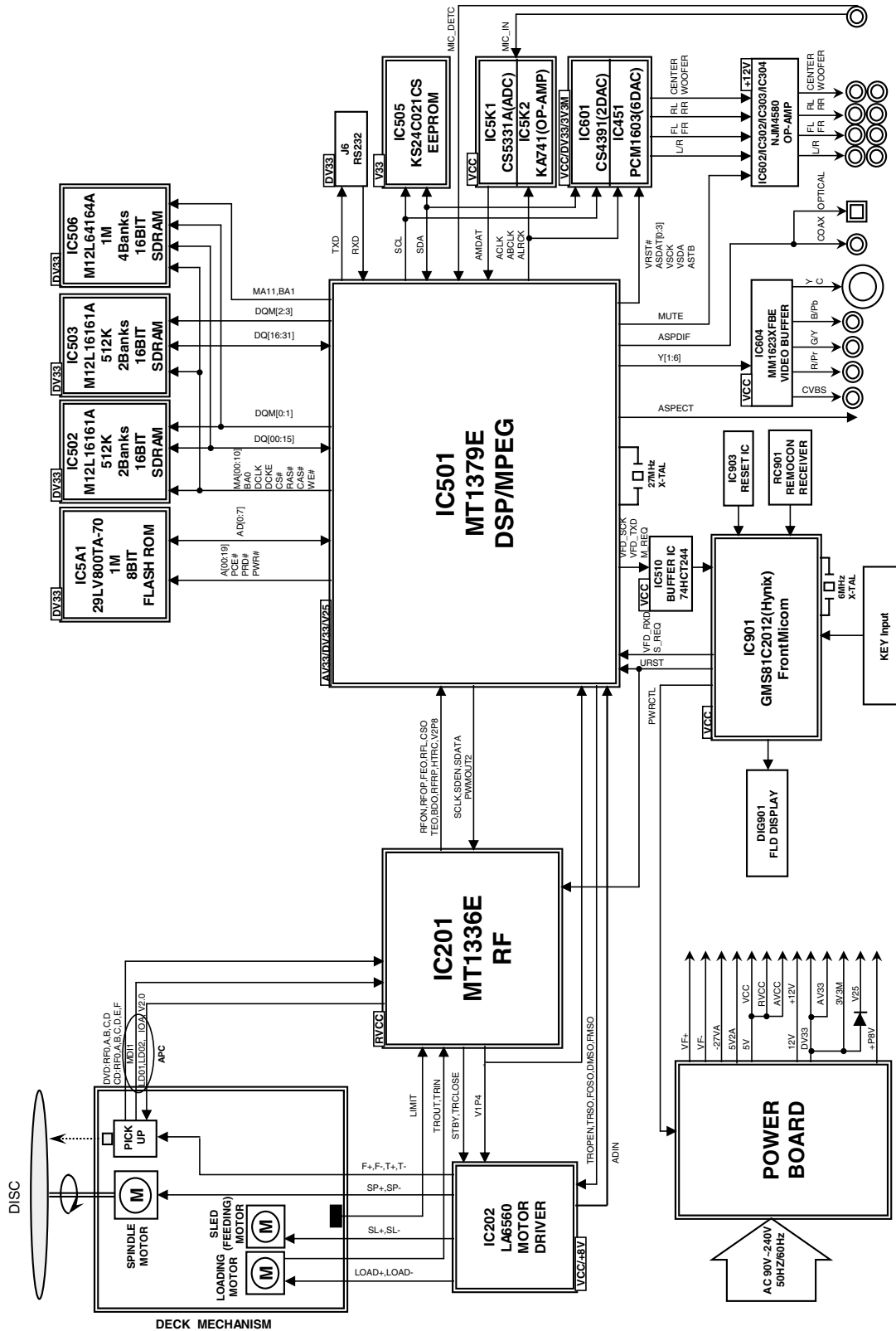


FIG 14-2

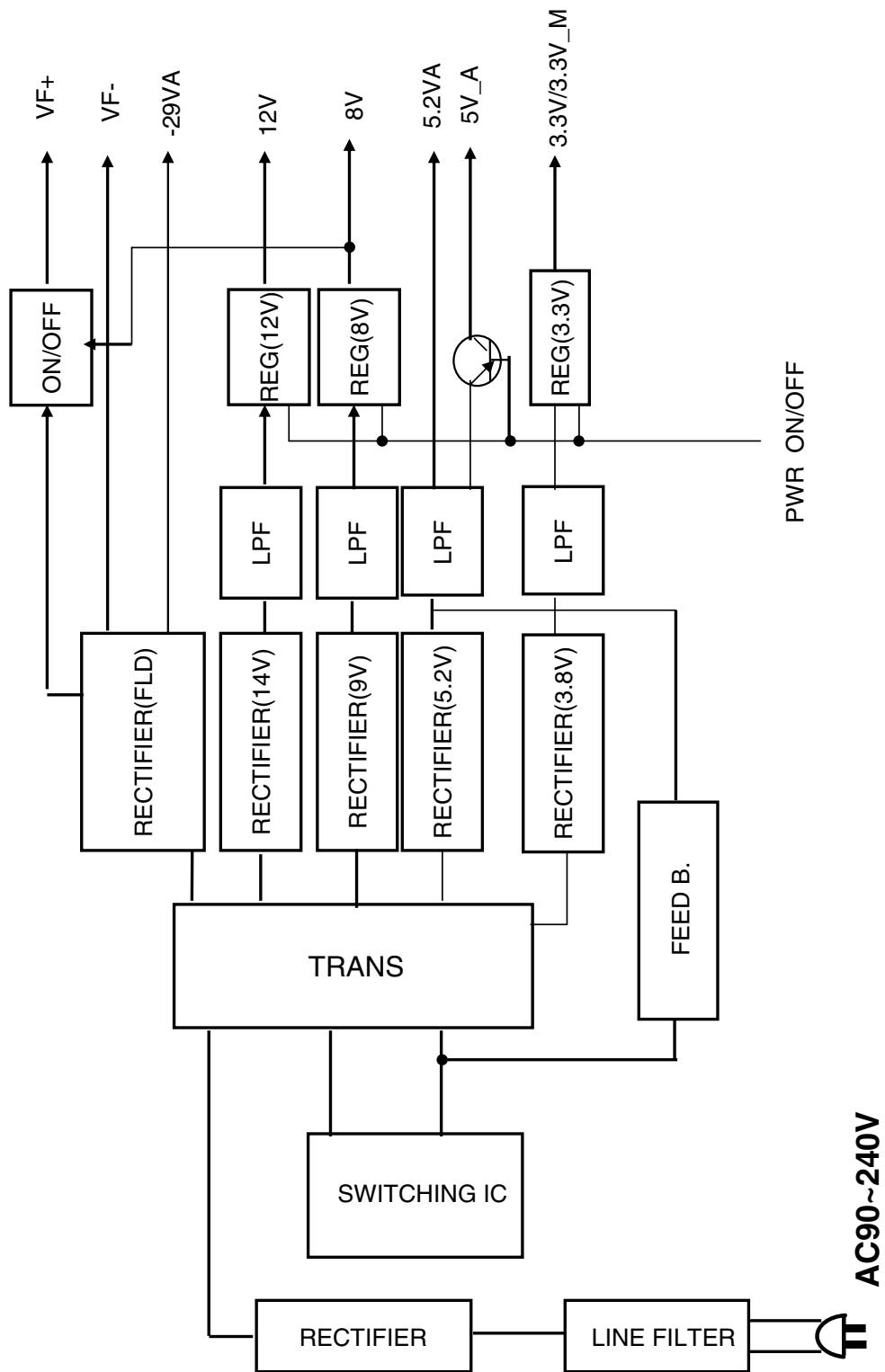
BLOCK DIAGRAMS

1. Overall Block Diagram



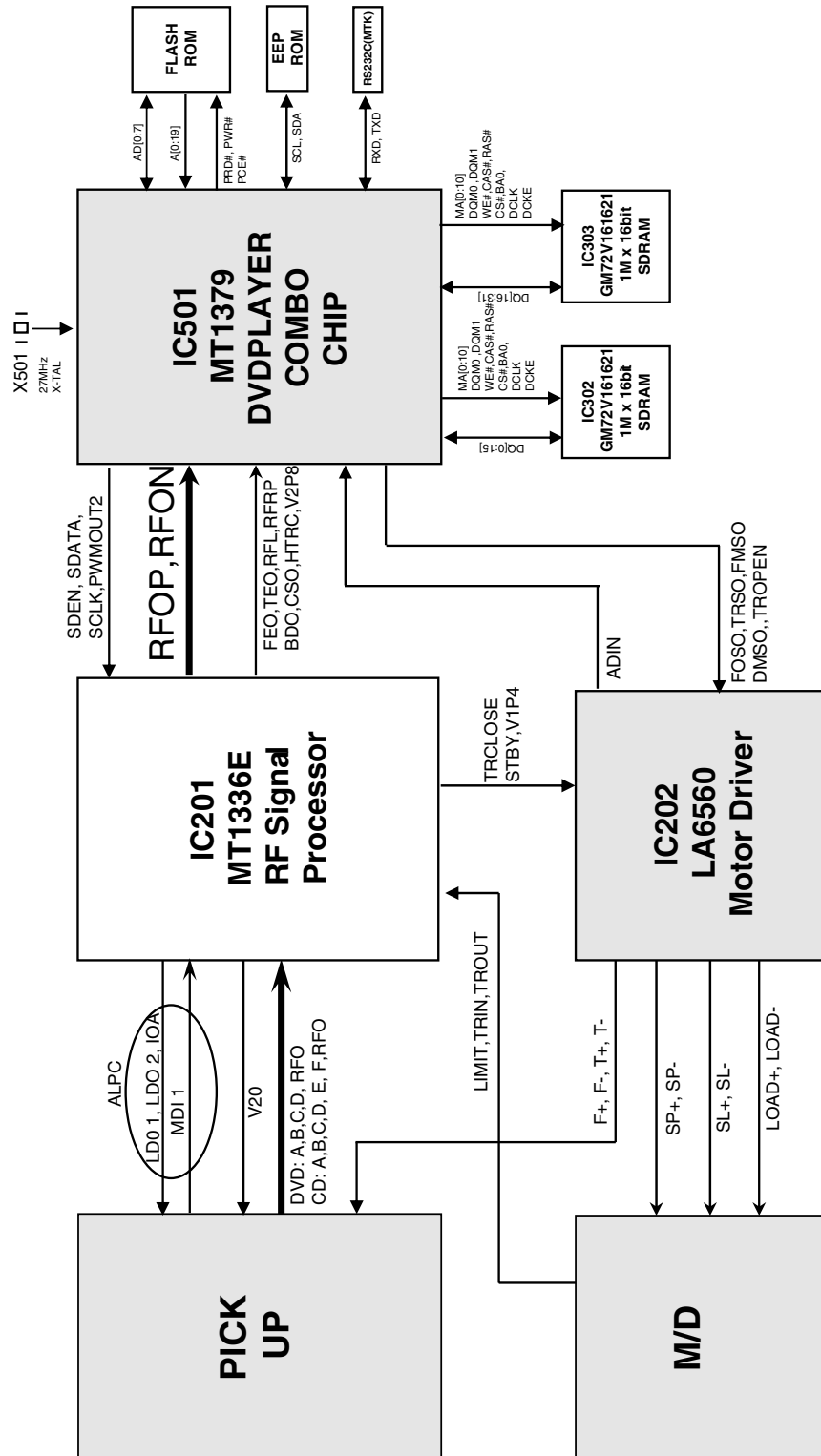
DV7800M'S
NAD

2. Power(SMPS) Block Diagram



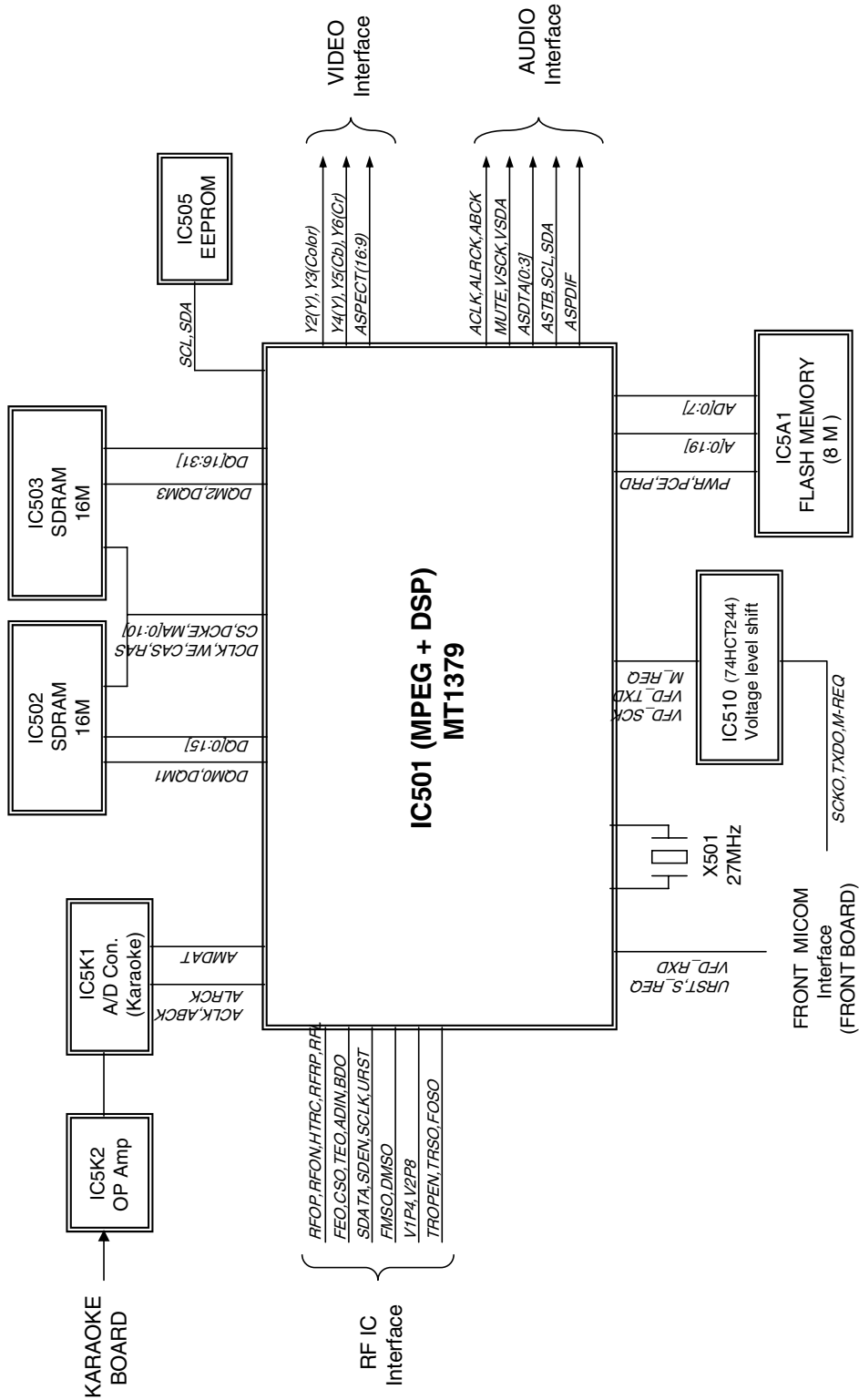
DV7800M'S
NAD

3. SERVO Block Diagram



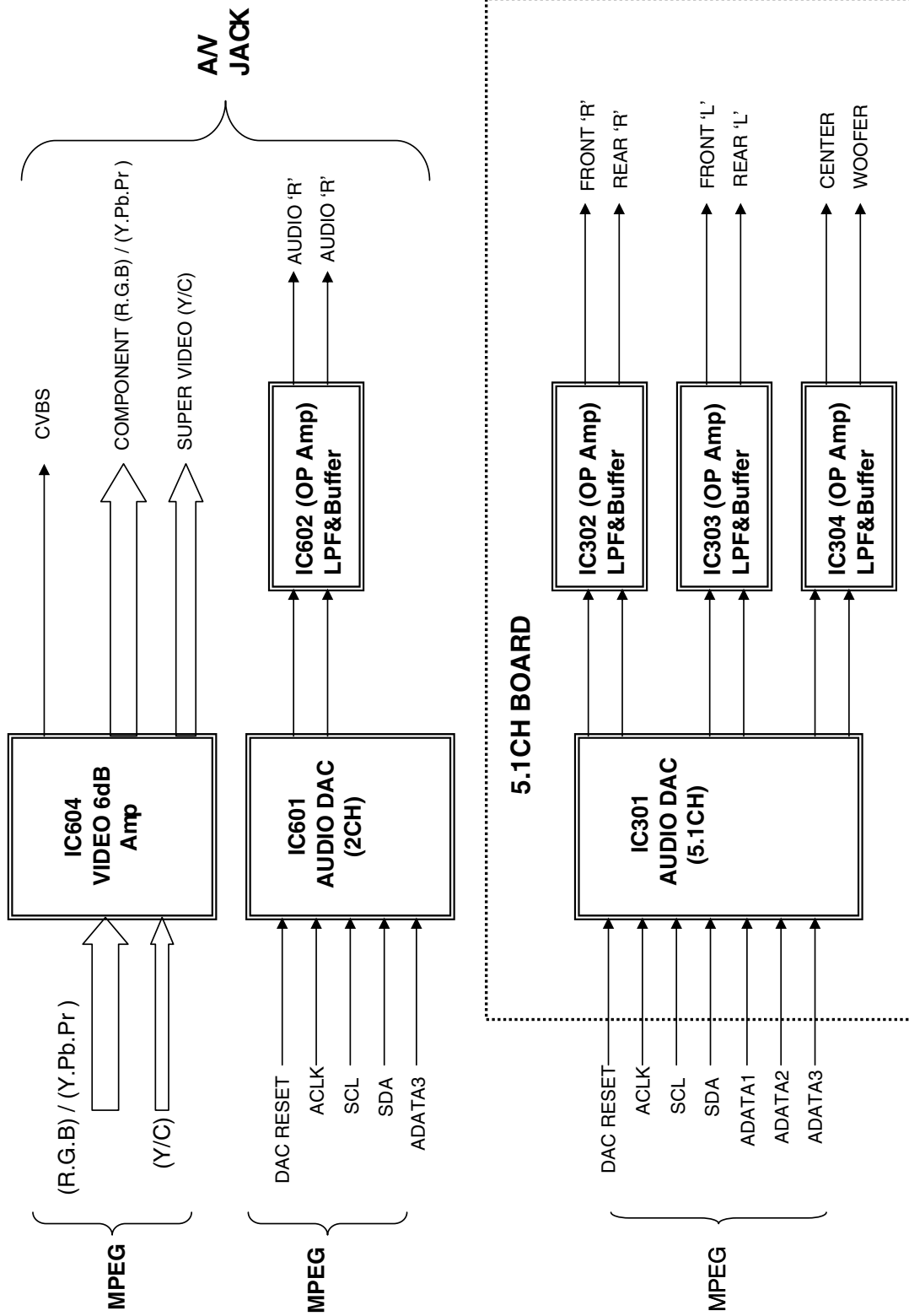
DV7800M'S
NAD

4. MPEG & MEMORY Block Diagram



DV7800M'S
NAD

5. VIDEO & AUDIO Block Diagram



DV7800M'S
NAD

CIRCUIT DIAGRAMS

1. POWER(SMPS) CIRCUIT DIAGRAM

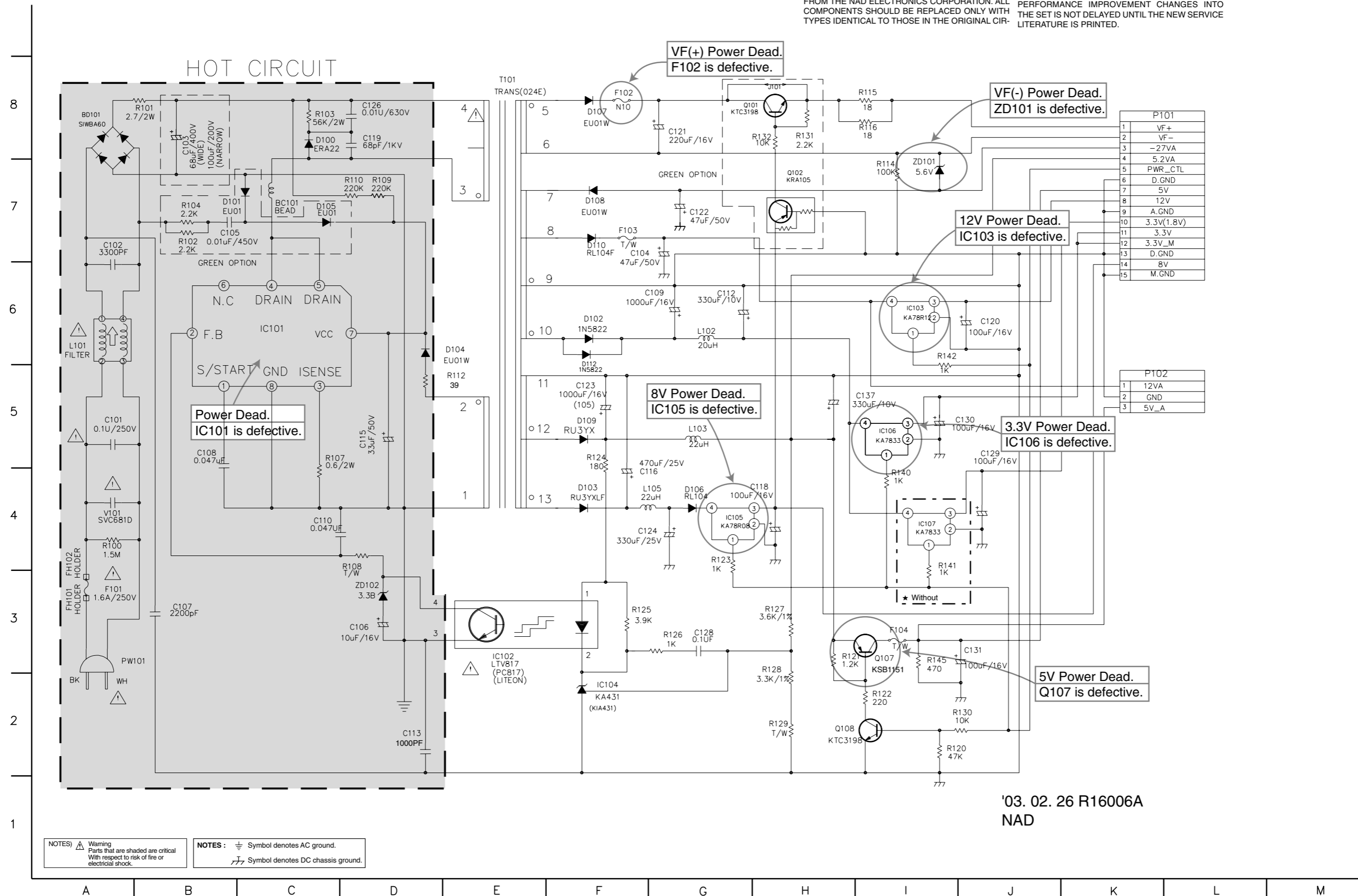
IMPORTANT SAFETY NOTICE

WHEN SERVICING THIS CHASSIS, UNDER NO CIRCUMSTANCES SHOULD THE ORIGINAL DESIGN BE MODIFIED OR ALTERED WITHOUT PERMISSION FROM THE NAD ELECTRONICS CORPORATION. ALL COMPONENTS SHOULD BE REPLACED ONLY WITH TYPES IDENTICAL TO THOSE IN THE ORIGINAL CIR-

CUIT. SPECIAL COMPONENTS ARE SHADED ON THE SCHEMATIC FOR EASY IDENTIFICATION. THIS CIRCUIT DIAGRAM MAY OCCASIONALLY DIFFER FROM THE ACTUAL CIRCUIT USED. THIS WAY, IMPLEMENTATION OF THE LATEST SAFETY AND PERFORMANCE IMPROVEMENT CHANGES INTO THE SET IS NOT DELAYED UNTIL THE NEW SERVICE LITERATURE IS PRINTED.

NOTE :

1. Shaded(■) parts are critical for safety. Replace only with specified part number.
2. Voltages are DC-measured with a digital voltmeter during Play mode.

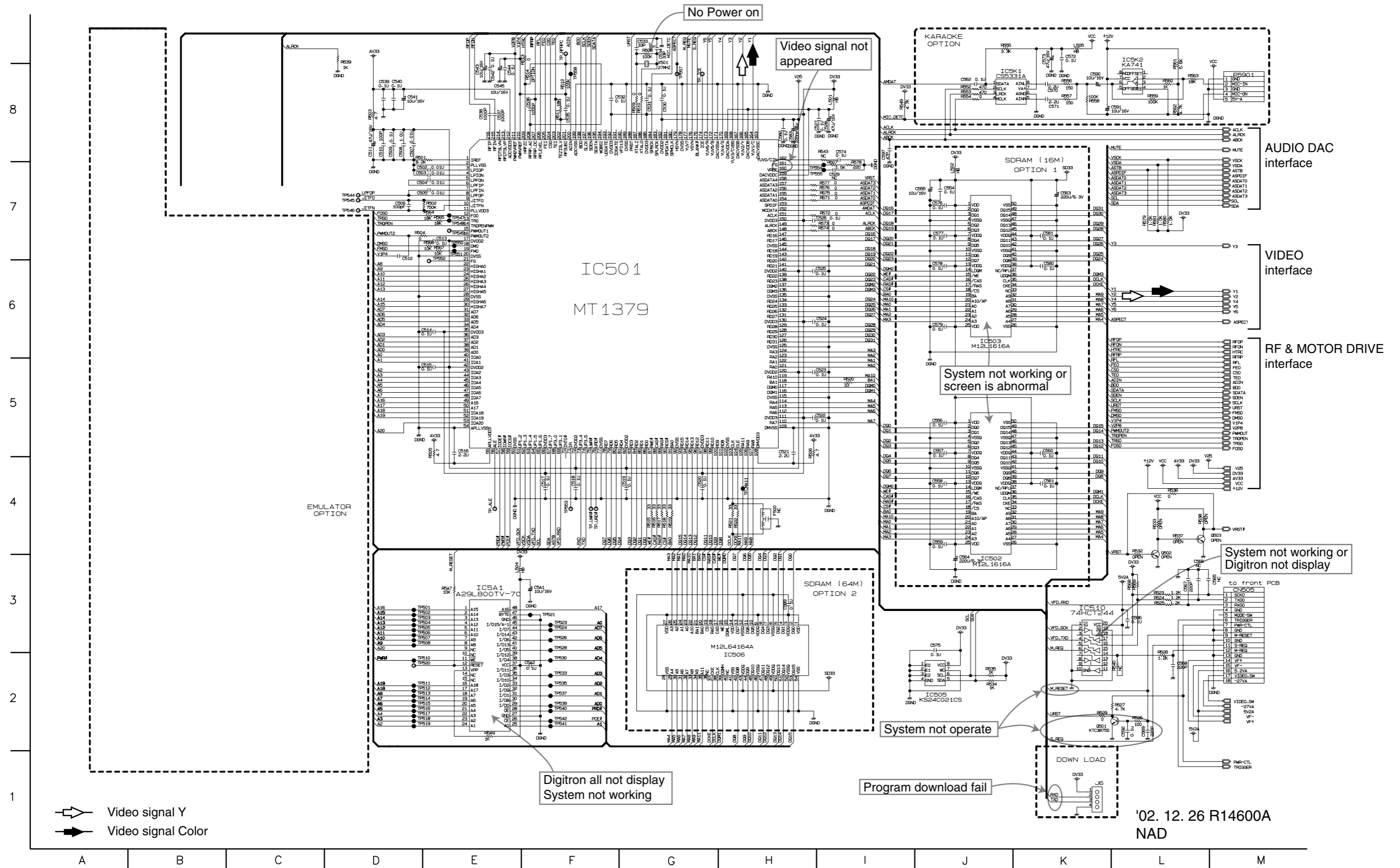


NOTES: ⚠ Warning Parts that are shaded are critical With respect to risk of fire or electrical shock.

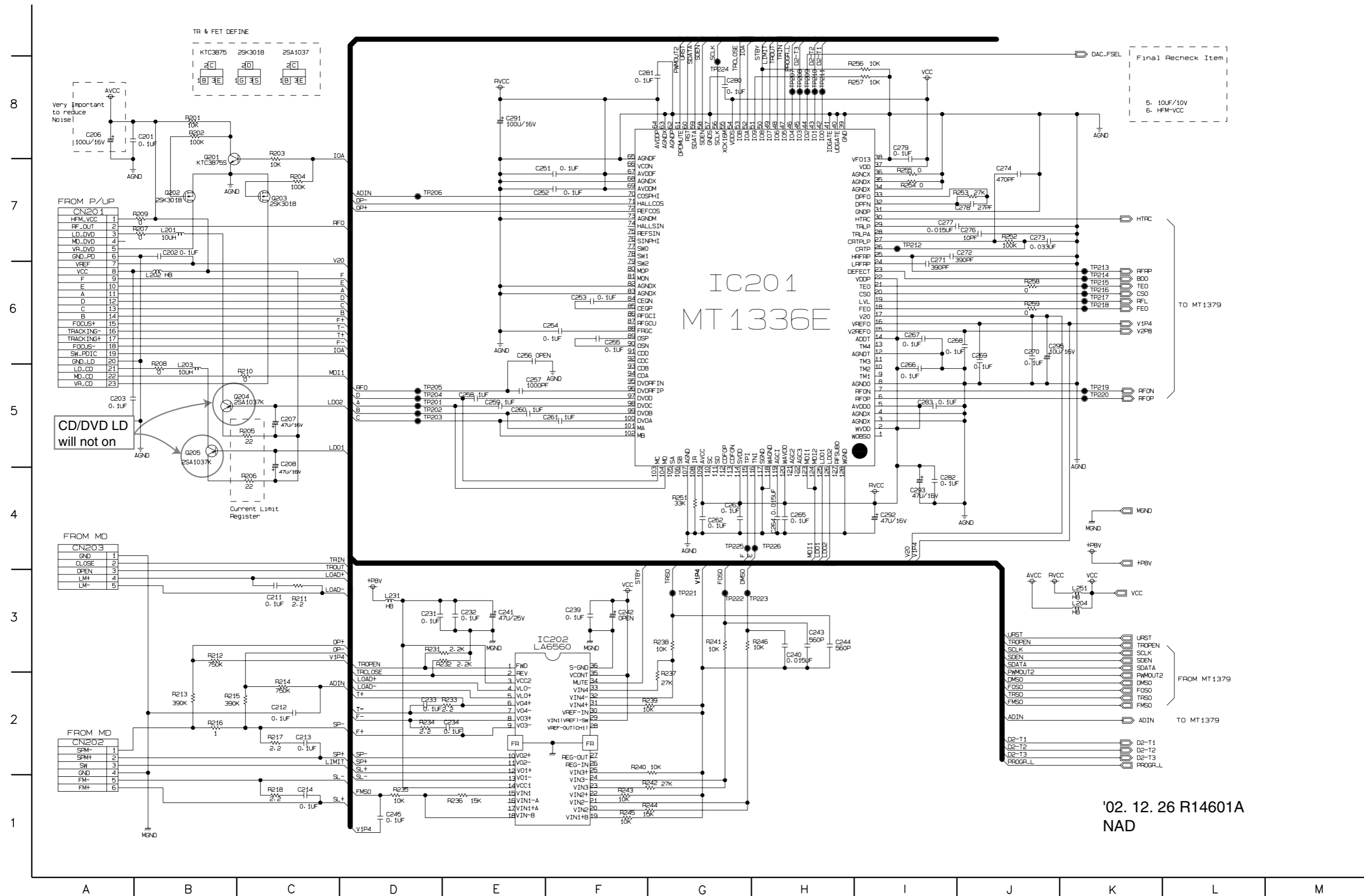
NOTES: ⚡ Symbol denotes AC ground. ⏏ Symbol denotes DC chassis ground.

'03. 02. 26 R16006A
NAD

2. SYSTEM CIRCUIT DIAGRAM

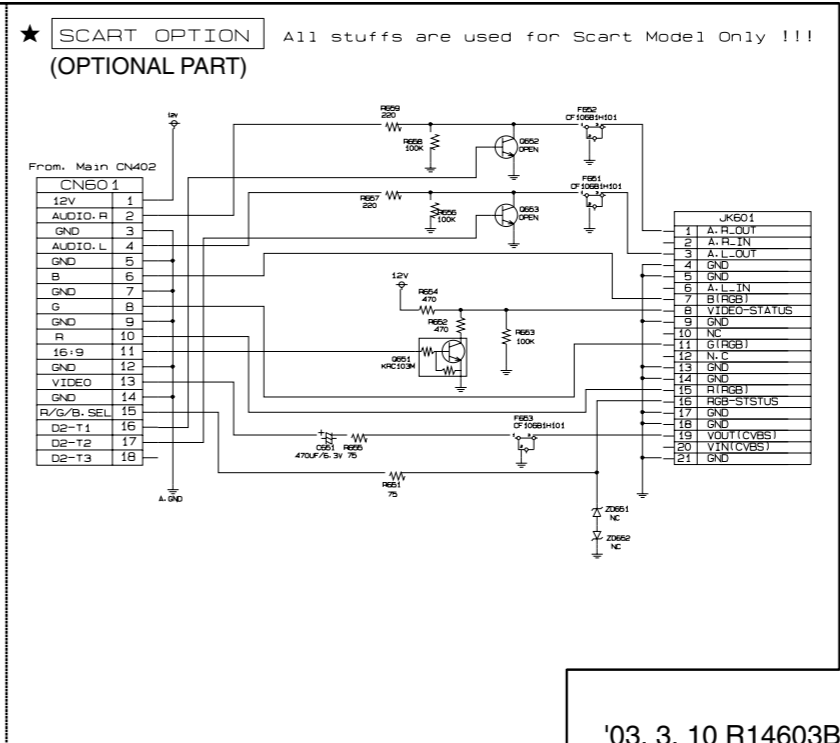
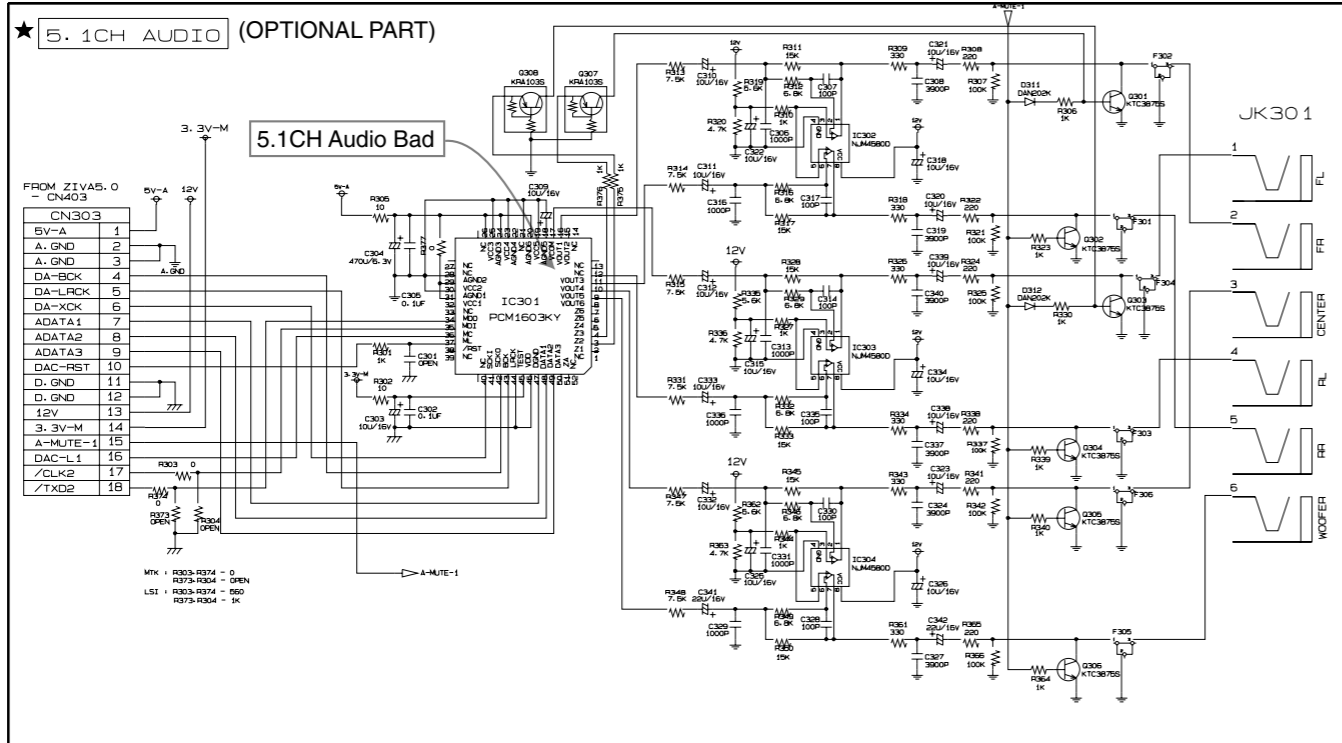
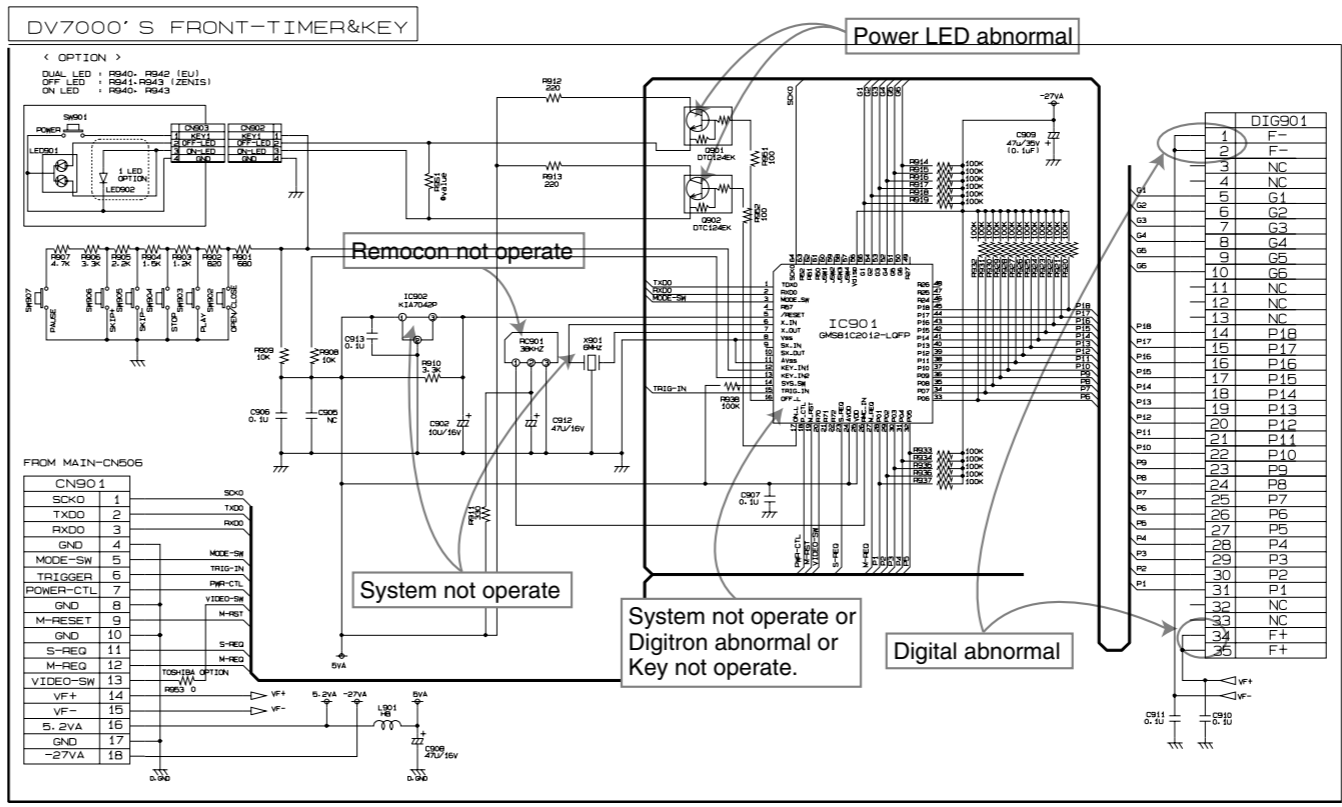
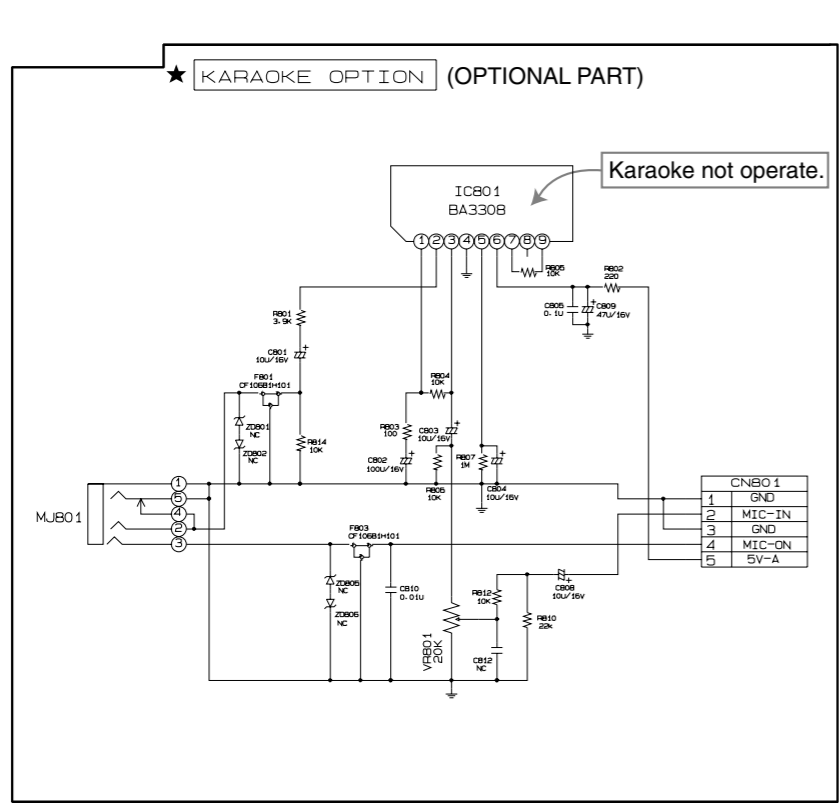


3. RF & SERVO CIRCUIT DIAGRAM



4. TIMER, 5.1CH, SCART, KARAOKE CIRCUIT DIAGRAM

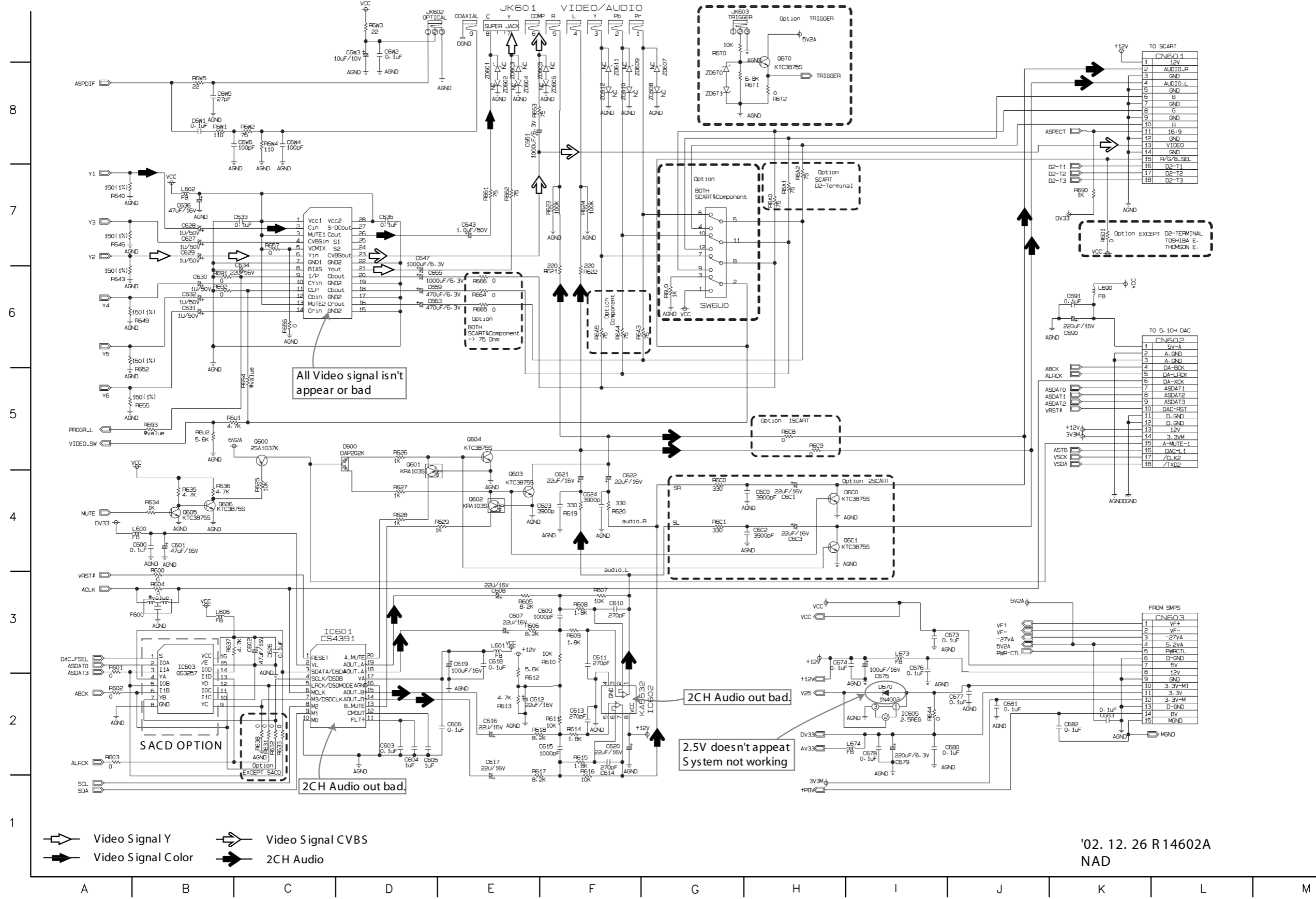
11
10
9
8
7
6
5
4
3
2
1



'03. 3. 10 R14603B
TOSHIBA

A B C D E F G H I J K L M N O P Q

5. AV/JACK CIRCUIT DIAGRAM

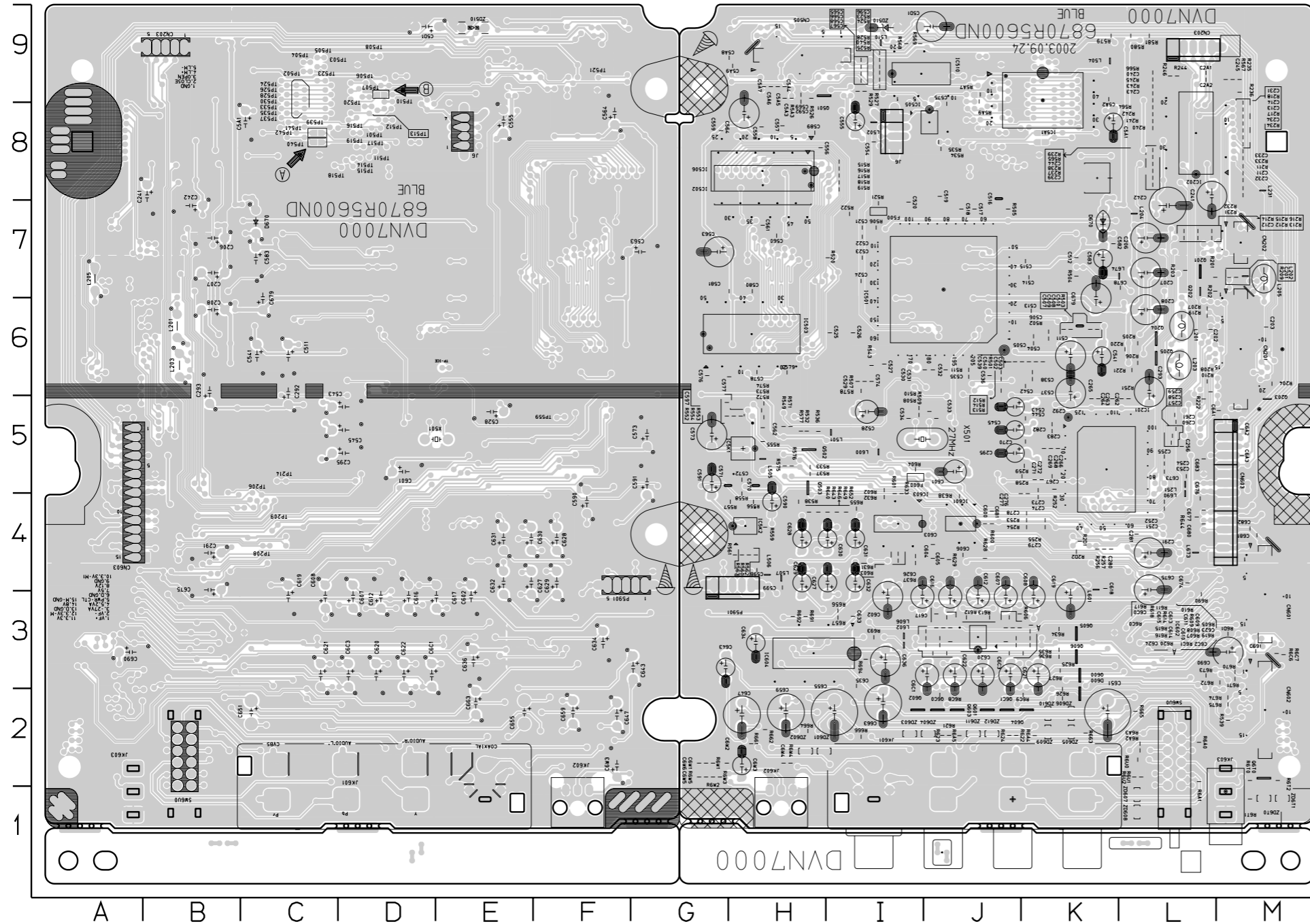


| PIN | IC201(MT1336E) | | IC202(MOTOR) | | IC501(MT1379) | | IC502(SDRAM) | | IC505(EEPROM) | | IC510(BUFFER) | | IC5A1(FLASH) | | IC5K1(KARAOKE) | | IC601(CS4391) | | IC602(AMP) | | IC604(MM1623XFB) | | |
|-----|----------------|------|--------------|------|---------------|------|--------------|------|---------------|------|---------------|------|--------------|------|----------------|------|---------------|------|------------|------|------------------|------|--|
| | STOP | PLAY | STOP | PLAY | STOP | PLAY | STOP | PLAY | STOP | PLAY | STOP | PLAY | STOP | PLAY | STOP | PLAY | STOP | PLAY | STOP | PLAY | STOP | PLAY | |
| 161 | | | | | 0 | 1.27 | | | | | | | | | | | | | | | | | |
| 162 | | | | | 0 | 2.35 | | | | | | | | | | | | | | | | | |
| 163 | | | | | 0 | 0 | | | | | | | | | | | | | | | | | |
| 164 | | | | | 0 | 0.73 | | | | | | | | | | | | | | | | | |
| 165 | | | | | 0 | 3.27 | | | | | | | | | | | | | | | | | |
| 166 | | | | | 0 | 0.5 | | | | | | | | | | | | | | | | | |
| 167 | | | | | 0 | 0 | | | | | | | | | | | | | | | | | |
| 168 | | | | | 0 | 0.53 | | | | | | | | | | | | | | | | | |
| 169 | | | | | 0 | 3.27 | | | | | | | | | | | | | | | | | |
| 170 | | | | | 0 | 0.59 | | | | | | | | | | | | | | | | | |
| 171 | | | | | 0 | 0 | | | | | | | | | | | | | | | | | |
| 172 | | | | | 3.01 | 0.72 | | | | | | | | | | | | | | | | | |
| 173 | | | | | 0 | 0.72 | | | | | | | | | | | | | | | | | |
| 174 | | | | | 0 | 0 | | | | | | | | | | | | | | | | | |
| 175 | | | | | 0 | 2.73 | | | | | | | | | | | | | | | | | |
| 176 | | | | | 0 | 3.13 | | | | | | | | | | | | | | | | | |
| 177 | | | | | 0 | 3.13 | | | | | | | | | | | | | | | | | |
| 178 | | | | | 0 | 3.25 | | | | | | | | | | | | | | | | | |
| 179 | | | | | 0 | 0 | | | | | | | | | | | | | | | | | |
| 180 | | | | | 0 | 0 | | | | | | | | | | | | | | | | | |
| 181 | | | | | 2.04 | 2.64 | | | | | | | | | | | | | | | | | |
| 182 | | | | | 0 | 2.52 | | | | | | | | | | | | | | | | | |
| 183 | | | | | 0 | 0 | | | | | | | | | | | | | | | | | |
| 184 | | | | | 0 | 0.09 | | | | | | | | | | | | | | | | | |
| 185 | | | | | 0 | 3.26 | | | | | | | | | | | | | | | | | |
| 186 | | | | | - | - | | | | | | | | | | | | | | | | | |
| 187 | | | | | 0 | 0.08 | | | | | | | | | | | | | | | | | |
| 188 | | | | | 0 | 0 | | | | | | | | | | | | | | | | | |
| 189 | | | | | 0 | 0 | | | | | | | | | | | | | | | | | |
| 190 | | | | | 0 | 0 | | | | | | | | | | | | | | | | | |
| 191 | | | | | 0.23 | 0 | | | | | | | | | | | | | | | | | |
| 192 | | | | | 0 | 3.29 | | | | | | | | | | | | | | | | | |
| 193 | | | | | 0 | 0 | | | | | | | | | | | | | | | | | |
| 194 | | | | | 0 | 0 | | | | | | | | | | | | | | | | | |
| 195 | | | | | 0 | 0 | | | | | | | | | | | | | | | | | |
| 196 | | | | | 0 | 0 | | | | | | | | | | | | | | | | | |
| 197 | | | | | 0 | 1.63 | | | | | | | | | | | | | | | | | |
| 198 | | | | | 0 | 0 | | | | | | | | | | | | | | | | | |
| 199 | | | | | 0 | 0 | | | | | | | | | | | | | | | | | |
| 200 | | | | | 0 | 2.15 | | | | | | | | | | | | | | | | | |
| 201 | | | | | 0 | 1.44 | | | | | | | | | | | | | | | | | |
| 202 | | | | | 0 | 1.44 | | | | | | | | | | | | | | | | | |
| 203 | | | | | 0 | 1.43 | | | | | | | | | | | | | | | | | |
| 204 | | | | | 0 | 1.43 | | | | | | | | | | | | | | | | | |
| 205 | | | | | 0 | 1.42 | | | | | | | | | | | | | | | | | |
| 206 | | | | | 0 | 2.1 | | | | | | | | | | | | | | | | | |
| 207 | | | | | 0 | 2.07 | | | | | | | | | | | | | | | | | |
| 208 | | | | | 0 | 1.41 | | | | | | | | | | | | | | | | | |
| 209 | | | | | 0 | 1.52 | | | | | | | | | | | | | | | | | |
| 210 | | | | | 0 | 1.43 | | | | | | | | | | | | | | | | | |
| 211 | | | | | 0 | 2.81 | | | | | | | | | | | | | | | | | |
| 212 | | | | | 0 | 3.28 | | | | | | | | | | | | | | | | | |
| 213 | | | | | 0 | 0.12 | | | | | | | | | | | | | | | | | |
| 214 | | | | | 0 | 0.12 | | | | | | | | | | | | | | | | | |
| 215 | | | | | 1.02 | 1.43 | | | | | | | | | | | | | | | | | |
| 216 | | | | | 0 | 1.43 | | | | | | | | | | | | | | | | | |

| | Q201 | | Q202 | | Q203 | | Q204 | | Q205 | |
|---|------|------|------|------|------|------|------|------|------|------|
| | STOP | PLAY | STOP | PLAY | STOP | PLAY | STOP | PLAY | STOP | PLAY |
| E | 0 | 0 | 0 | 0 | 0 | 0 | 5.14 | 4.34 | 5.14 | 5.1 |
| C | 0 | 5.09 | 0 | 0 | 0 | 0.19 | 0 | 2.42 | 0.5 | 0 |
| B | 0.68 | 0 | 0 | 5.04 | 5.04 | 0 | 5.08 | 3.64 | 5.08 | 5.05 |
| | Q501 | | Q600 | | Q603 | | Q604 | | Q605 | |
| | STOP | PLAY | STOP | PLAY | STOP | PLAY | STOP | PLAY | STOP | PLAY |
| E | 0 | 0 | 5.17 | 0 | 0 | 0 | 0 | 0 | 0 | 0 |
| C | 0 | 0 | 0 | 0.13 | 0 | 0 | 0 | 0 | 0 | 0 |
| B | 0.83 | 0.83 | 5.11 | 0 | 0.75 | 0 | 0.75 | 0.16 | 0.74 | 0.74 |

PRINTED CIRCUIT DIAGRAMS

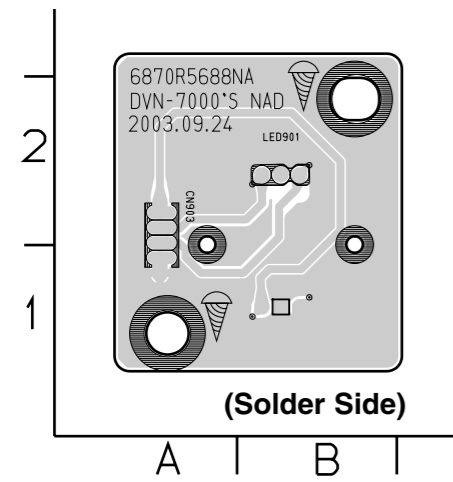
1. MAIN P.C. BOARD



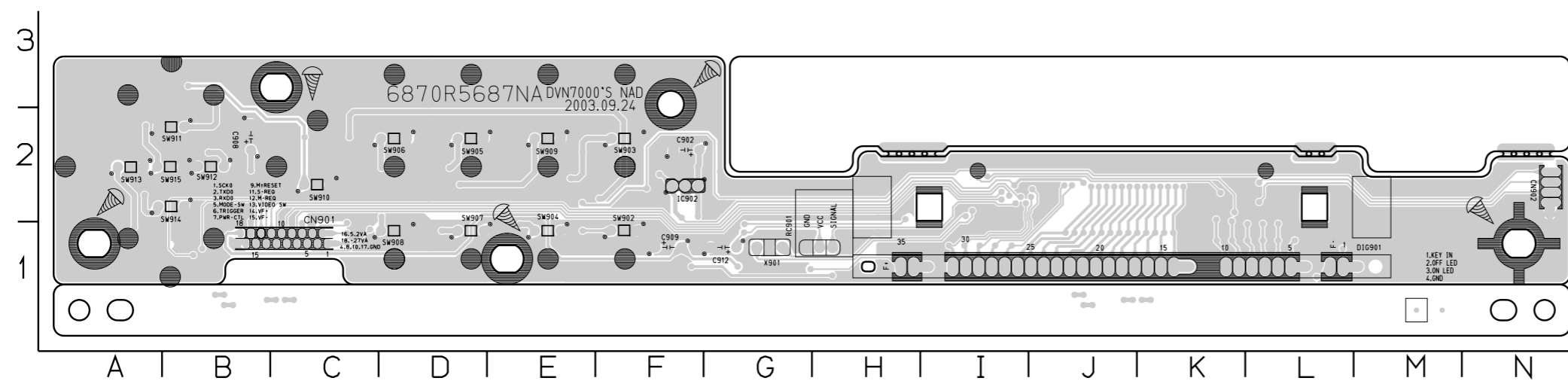
LOCATION GUIDE

| | | | | | | | | | | | | | | | | | | | |
|--------|----|------|----|------|----|------|----|-------|----|-------|----|------|----|------|----|------|----|-----------|----|
| TP-1CE | E6 | C201 | M7 | C505 | K6 | C575 | J8 | C636 | I3 | JK601 | J1 | R220 | L6 | R535 | J8 | R622 | J2 | R6W2 | G2 |
| TP201 | A6 | C202 | L6 | C506 | K6 | C576 | G6 | C643 | G3 | JK602 | H1 | R221 | L6 | R536 | H5 | R623 | J2 | R6W3 | G2 |
| TP202 | B6 | C203 | M6 | C507 | K6 | C577 | H6 | C647 | H2 | JK603 | M1 | R222 | L5 | R537 | H5 | R624 | J2 | R6W4 | H2 |
| TP203 | B6 | C206 | L7 | C508 | K6 | C578 | H6 | C651 | K2 | L201 | L6 | R231 | M8 | R538 | H4 | R625 | K3 | R6W5 | G2 |
| TP204 | B5 | C207 | L7 | C509 | K6 | C579 | H6 | C655 | I2 | L202 | M7 | R232 | M8 | R539 | M2 | R626 | K2 | 5W6U0 | L2 |
| TP205 | A6 | C208 | L6 | C510 | K6 | C580 | H7 | C659 | H2 | L203 | L6 | R233 | M8 | R540 | I9 | R627 | K2 | TP207 | K4 |
| TP206 | C4 | C211 | M6 | C511 | K6 | C581 | H7 | C663 | I2 | L204 | F7 | R234 | M8 | R543 | I6 | R628 | J4 | TP210 | K4 |
| TP208 | C4 | C212 | L7 | C512 | K7 | C582 | K7 | C673 | L5 | L205 | M7 | R235 | M9 | R549 | H5 | R629 | J4 | TP211 | K4 |
| TP209 | C4 | C213 | M8 | C513 | K6 | C583 | K7 | C674 | L4 | L231 | M8 | R236 | M9 | R552 | G5 | R631 | I4 | TP212 | K5 |
| TP214 | C5 | C214 | M8 | C514 | K7 | C589 | H8 | C675 | L4 | L251 | L5 | R237 | L8 | R553 | H5 | R632 | I4 | TP213 | J5 |
| TP225 | B6 | C231 | M8 | C515 | K7 | C590 | H4 | C676 | L4 | L501 | I5 | R238 | L8 | R554 | H5 | R633 | I4 | TP215 | J5 |
| TP226 | B6 | C232 | M8 | C516 | J8 | C591 | G5 | C677 | L4 | L502 | I8 | R239 | L8 | R555 | H5 | R634 | K3 | TP216 | J5 |
| TP501 | D8 | C233 | M8 | C517 | J7 | C592 | H9 | C678 | L7 | L504 | K9 | R240 | L8 | R556 | H4 | R635 | K3 | TP217 | K5 |
| TP502 | C9 | C234 | M8 | C518 | H7 | C596 | I9 | C679 | K6 | L505 | H5 | R241 | L9 | R557 | H4 | R636 | J5 | TP218 | J5 |
| TP503 | C9 | C239 | L8 | C519 | J8 | C597 | G5 | C680 | L4 | L506 | H4 | R242 | L8 | R558 | H4 | R637 | I4 | TP219 | K6 |
| TP504 | C9 | C240 | L9 | C520 | I7 | C598 | H4 | C681 | M4 | L507 | H4 | R243 | L9 | R559 | H4 | R638 | J4 | TP220 | K6 |
| TP505 | C9 | C241 | L8 | C521 | I7 | C599 | H4 | C682 | M4 | L510 | I9 | R244 | L9 | R560 | H4 | R640 | H4 | TP221 | L8 |
| TP506 | D9 | C242 | L7 | C522 | I7 | C5A1 | K8 | C683 | L5 | L600 | I5 | R245 | L9 | R561 | H4 | R643 | H4 | TP222 | L8 |
| TP507 | D9 | C243 | L9 | C523 | I7 | C5A2 | K9 | C690 | M3 | L601 | K4 | R246 | L9 | R562 | H4 | R644 | L4 | TP223 | L9 |
| TP508 | D9 | C244 | L8 | C524 | I7 | C5A3 | H9 | C691 | M3 | L602 | I3 | R251 | L5 | R563 | H4 | R646 | I4 | TP224 | K4 |
| TP510 | D9 | C245 | M9 | C525 | I6 | C5A4 | H9 | C691 | M5 | L606 | I3 | R252 | K5 | R564 | L8 | R649 | I4 | TP244 | K6 |
| TP511 | D8 | C251 | L4 | C526 | I6 | C5A5 | H9 | C6A2 | M5 | L673 | L4 | R253 | K4 | R565 | L8 | R652 | I4 | TP545 | K6 |
| TP512 | D8 | C252 | L4 | C527 | I6 | C5A6 | H9 | C6A3 | M5 | L674 | L7 | R254 | K4 | R566 | L9 | R655 | I4 | TP546 | K6 |
| TP513 | D8 | C253 | L5 | C528 | I5 | C5A7 | H9 | C6B1 | J4 | L690 | L4 | R255 | K4 | R567 | M9 | R656 | I3 | TP547 | L8 |
| TP514 | D8 | C254 | L5 | C529 | I6 | C5A8 | H9 | C6C0 | J3 | P5901 | H4 | R256 | K4 | R568 | I9 | R657 | I3 | TP548 | L8 |
| TP515 | D8 | C255 | L5 | C530 | J6 | C5A9 | H9 | C6C1 | J3 | Q201 | L7 | R257 | K4 | R569 | I9 | R661 | H2 | TP549 | J6 |
| TP516 | D8 | C256 | L5 | C531 | J6 | C5D1 | J9 | C6C2 | K3 | Q202 | L7 | R258 | K5 | R571 | H5 | R662 | H2 | TP550 | J9 |
| TP517 | D8 | C257 | L5 | C532 | J6 | C600 | J4 | C6C3 | J3 | Q203 | M5 | R259 | K5 | R572 | H5 | R663 | K2 | TP551 | M9 |
| TP518 | D8 | C258 | L5 | C533 | J5 | C601 | I5 | C6W1 | G2 | Q204 | L6 | R2D1 | K4 | R573 | H5 | R664 | H2 | TP552 | K8 |
| TP519 | D8 | C259 | L5 | C534 | I5 | C602 | I3 | C6W2 | G2 | Q205 | L6 | R2D2 | K4 | R574 | H5 | R665 | L2 | TP553 | J8 |
| TP520 | D9 | C260 | L5 | C535 | J6 | C603 | J4 | C6W3 | H2 | Q501 | H9 | R501 | K6 | R575 | H5 | R666 | I2 | TP554 | L6 |
| TP521 | D9 | C261 | L5 | C536 | J6 | C604 | J4 | C6W4 | H2 | Q502 | H9 | R502 | K6 | R576 | H5 | R670 | M3 | TP555 | I6 |
| TP523 | C9 | C262 | L5 | C537 | K6 | C605 | J4 | C6W5 | G2 | Q503 | H5 | R503 | K6 | R577 | H5 | R671 | M3 | TP557 | I6 |
| TP524 | C9 | C263 | K5 | C538 | K6 | C606 | J4 | C6W6 | G2 | Q600 | K3 | R504 | K7 | R578 | I6 | R672 | M3 | TP558 | J6 |
| TP525 | C9 | C264 | K5 | C539 | J6 | C607 | J3 | C6Z01 | M5 | Q601 | J2 | R505 | J7 | R579 | K9 | R673 | L3 | TP-ALE | J7 |
| TP528 | C9 | C265 | K5 | C540 | K6 | C608 | K3 | C6Z02 | M7 | Q602 | I2 | R506 | I7 | R580 | I7 | R674 | M2 | TP-MA11 | I7 |
| TP530 | C9 | C266 | K5 | C541 | K6 | C609 | J3 | C6Z03 | L9 | Q603 | J2 | R507 | I6 | R581 | L9 | R675 | M2 | TP-RFRP06 | G6 |
| TP533 | C8 | C267 | K5 | C542 | K6 | C610 | J3 | C6N05 | H9 | Q604 | K2 | R508 | I5 | R5A3 | H9 | R690 | L3 | TP-URD# | J8 |
| TP535 | C8 | C268 | K5 | C543 | J5 | C611 | J3 | C6N01 | M3 | Q605 | K3 | R509 | J5 | R5A7 | J9 | R691 | H3 | TP-UWR# | J8 |
| TP537 | C8 | C269 | K5 | C544 | K5 | C612 | J3 | C6N02 | M2 | Q606 | K3 | R510 | I5 | R5A9 | J9 | R692 | H3 | X501 | I5 |
| TP539 | C8 | C270 | K5 | C545 | J5 | C613 | J3 | C6N03 | M5 | Q6C0 | J2 | R511 | J6 | R600 | J4 | R693 | I3 | ZD510 | I9 |
| TP541 | C8 | C271 | K5 | C554 | H8 | C614 | J3 | D600 | K2 | Q6C1 | J2 | R512 | J6 | R601 | I4 | R694 | J2 | ZD601 | L1 |
| TP541 | C8 | C272 | K5 | C555 | I8 | C615 | J3 | D670 | K7 | Q610 | M2 | R513 | J6 | R602 | I5 | R6A0 | L2 | ZD602 | H2 |
| TP542 | C8 | C273 | K5 | C556 | H8 | C616 | J3 | F500 | I7 | R201 | L7 | R514 | J6 | R603 | I4 | R6A1 | L2 | ZD603 | I2 |
| TP542 | C8 | C274 | K4 | C557 | H8 | C617 | I3 | F600 | I5 | R202 | L7 | R515 | I8 | R604 | I5 | R6A2 | L2 | ZD604 | J2 |
| TP547 | C8 | C276 | K4 | C558 | H8 | C618 | K4 | IC201 | K5 | R203 | L7 | R516 | I8 | R605 | K3 | R6A3 | L2 | ZD605 | K2 |
| TP547 | C8 | C277 | J4 | C559 | G8 | C619 | K3 | IC202 | L8 | R204 | M6 | R517 | I8 | R606 | J3 | R6A4 | K2 | ZD606 | K2 |
| TP547 | C8 | C278 | K4 | C560 | H7 | C620 | J3 | IC501 | J7 | R205 | L6 | R518 | I8 | R607 | J3 | R6A5 | J2 | ZD607 | L1 |
| TP547 | C8 | C279 | K4 | C561 | H7 | C621 | K3 | IC502 | H8 | R206 | L6 | R519 | I8 | R608 | J3 | R6C0 | J3 | ZD608 | L1 |
| TP547 | C8 | C280 | K4 | C562 | H5 | C622 | J3 | IC503 | H6 | R207 | L6 | R520 | I7 | R609 | J3 | R6C1 | J3 | ZD609 | K2 |
| TP547 | C8 | C281 | L4 | C563 | G7 | C623 | K3 | IC505 | H8 | R208 | L6 | R521 | I7 | R610 | J3 | R6C6 | M3 | ZD610 | K2 |
| TP547 | C8 | C282 | K5 | C564 | H8 | C624 | J3 | IC506 | H8 | R209 | M7 | R522 | I7 | R611 | J3 | R6C7 | M3 | ZD611 | J2 |
| TP547 | C8 | C283 | K5 | C565 | I9 | C626 | I4 | IC510 | I9 | R210 | L6 | R523 | I9 | R612 | J3 | R6C8 | J2 | ZD612 | J2 |
| TP547 | C8 | C291 | L4 | C566 | I9 | C627 | I4 | IC5A1 | K9 | R211 | M8 | R524 | I9 | R613 | J3 | R6C9 | K2 | ZD613 | M1 |
| TP547 | C8 | C292 | K6 | C567 | I9 | C628 | H4 | IC5K1 | H5 | R212 | L7 | R525 | I9 | R614 | J3 | R6D1 | M3 | ZD611 | M1 |
| TP547 | C8 | C293 | L6 | C568 | I9 | C629 | H4 | IC5K2 | H4 | R213 | L7 | R526 | H9 | R615 | J3 | R610 | I2 | | |
| TP547 | C8 | C295 | L9 | C569 | H9 | C630 | I4 | IC601 | J4 | R214 | L7 | R527 | I9 | R616 | J3 | R611 | I1 | | |
| TP547 | C8 | C2A1 | L9 | C570 | H5 | C631 | I4 | IC602 | J3 | R215 | L7 | R528 | I9 | R617 | J3 | R612 | M2 | | |
| TP547 | C8 | C2A2 | L9 | C571 | G5 | C632 | I4 | IC603 | I4 | R216 | L7 | R529 | I9 | R618 | J3 | R610 | L2 | | |
| TP547 | C8 | C502 | K6 | C572 | H5 | C633 | I3 | IC604 | H3 | R217 | M8 | R532 | H5 | R619 | K3 | R6U1 | L2 | | |
| TP547 | C8 | C503 | K6 | C573 | G5 | C634 | H3 | IC605 | K8 | R218 | M8 | R533 | H5 | R620 | J3 | R6U2 | L2 | | |
| TP547 | C8 | C504 | K6 | C574 | I6 | C635 | I3 | J6 | I8 | R219 | L6 | R534 | J8 | R621 | J2 | R6W1 | G2 | | |

2. KEY P.C.BOARD



3. TIMER P.C.BOARD

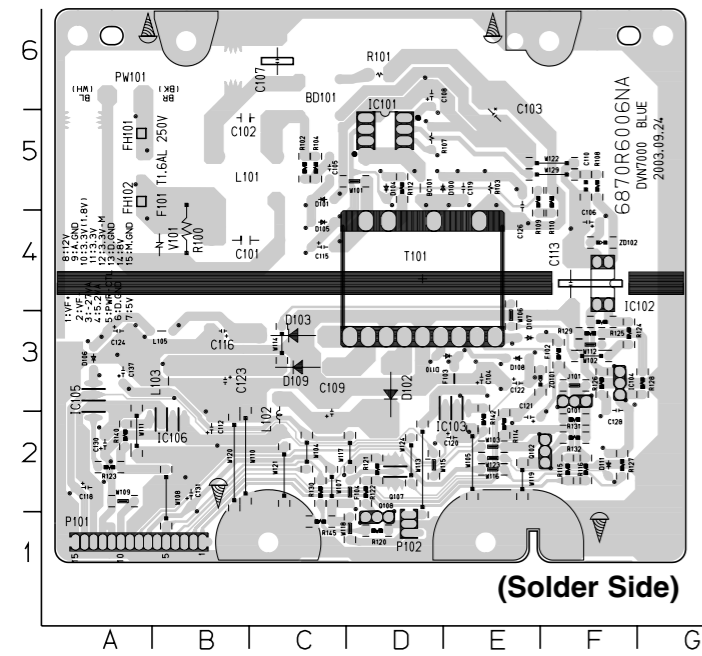


LOCATION GUIDE

| | | | | | | | |
|--------|----|------|----|------|----|-------|----|
| C902 | F2 | R902 | E2 | R923 | K1 | R945 | A2 |
| C905 | G2 | R903 | E2 | R924 | K1 | R951 | K2 |
| C906 | G2 | R904 | D2 | R925 | J1 | R952 | L2 |
| C907 | J2 | R905 | C2 | R926 | J1 | R953 | B2 |
| C908 | B2 | R906 | C2 | R927 | J1 | R951 | L2 |
| C909 | F1 | R907 | D2 | R928 | J1 | RC901 | H1 |
| C910 | G1 | R908 | F2 | R929 | J1 | SW902 | F1 |
| C911 | L1 | R909 | F2 | R930 | J1 | SW903 | F2 |
| C912 | G1 | R910 | G2 | R931 | J1 | SW904 | E1 |
| C913 | G2 | R911 | F1 | R932 | J1 | SW905 | D2 |
| C9A1 | G1 | R912 | L2 | R933 | I1 | SW906 | D2 |
| CN901 | C1 | R913 | L2 | R934 | I1 | SW907 | D1 |
| CN902 | N2 | R914 | K1 | R935 | I1 | SW908 | D1 |
| DIG901 | L1 | R915 | K1 | R936 | I1 | SW909 | E2 |
| IC901 | I2 | R916 | L1 | R937 | I1 | SW910 | C2 |
| IC902 | F2 | R917 | L1 | R938 | G2 | SW911 | B2 |
| L901 | B2 | R918 | L1 | R940 | C2 | SW912 | B2 |
| Q901 | L2 | R919 | L1 | R941 | B3 | SW913 | A2 |
| Q902 | L2 | R920 | K1 | R942 | B2 | SW914 | B2 |
| R900 | E2 | R921 | K1 | R943 | B2 | SW915 | B2 |
| R901 | E2 | R922 | K1 | R944 | A2 | X901 | G1 |

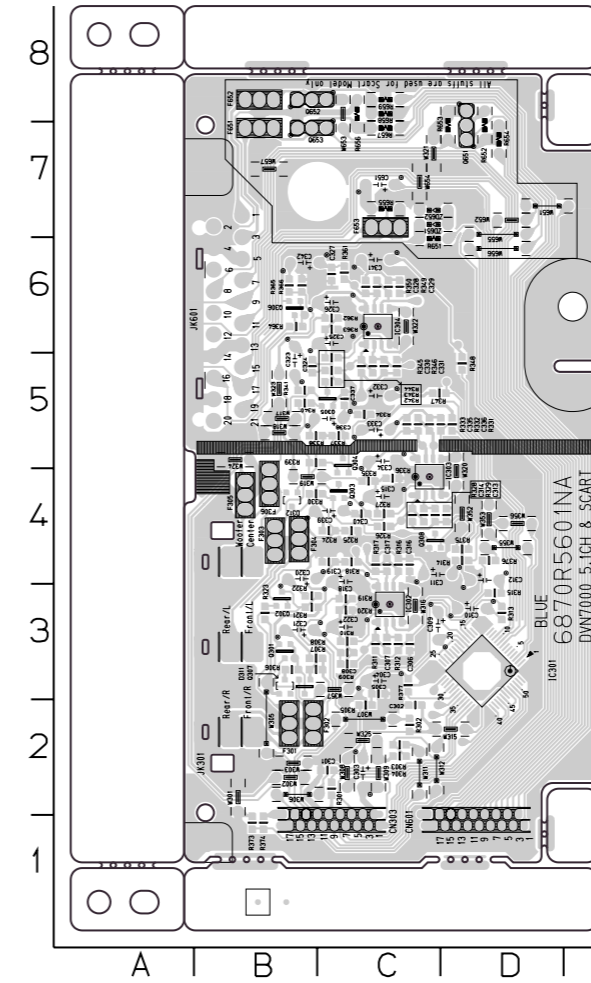
(Solder Side)

4. SMPS P.C.BOARD



| LOCATION GUIDE | | | |
|----------------|----|-------|----|
| BC101 | D5 | D104 | D5 |
| BD101 | C6 | D105 | C4 |
| C101 | B4 | D106 | A3 |
| C102 | B5 | D107 | E3 |
| C103 | E5 | D108 | E3 |
| C104 | E3 | D109 | C3 |
| C105 | C5 | D110 | E3 |
| C106 | F4 | D111 | F2 |
| C107 | C6 | F102 | F3 |
| C108 | D5 | F103 | E3 |
| C109 | C5 | F104 | D2 |
| C110 | F5 | FH101 | A5 |
| C112 | B2 | FH102 | A5 |
| C113 | F4 | IC101 | D5 |
| C115 | C4 | IC102 | F4 |
| C116 | B3 | IC103 | D3 |
| C118 | A2 | IC104 | F3 |
| C119 | E5 | IC105 | A3 |
| C120 | E2 | IC106 | B2 |
| C121 | E2 | J101 | F3 |
| C122 | E3 | L101 | D5 |
| C123 | B3 | L102 | C2 |
| C124 | A3 | L103 | B3 |
| C126 | E5 | L105 | B3 |
| C128 | F3 | P101 | B1 |
| C130 | A2 | P102 | D1 |
| C131 | B2 | PW101 | A6 |
| C137 | A3 | Q101 | F3 |
| D100 | D5 | Q102 | F2 |
| D101 | C5 | Q107 | D2 |
| D102 | D3 | Q108 | D1 |
| D103 | C3 | R100 | B4 |
| | | R101 | D5 |
| | | R102 | C4 |
| | | R103 | A3 |
| | | R104 | E3 |
| | | R107 | D5 |
| | | R108 | F5 |
| | | R109 | E5 |
| | | R110 | F5 |
| | | R112 | D5 |
| | | R114 | E2 |
| | | R115 | F2 |
| | | R116 | F2 |
| | | R120 | D1 |
| | | R121 | D2 |
| | | R122 | D2 |
| | | R123 | A2 |
| | | R124 | F3 |
| | | R125 | F3 |
| | | R126 | F3 |
| | | R127 | F2 |
| | | R128 | G3 |
| | | R129 | F3 |
| | | R130 | C2 |
| | | R131 | F2 |
| | | R132 | F2 |
| | | R140 | A2 |
| | | R142 | E2 |
| | | R145 | C1 |
| | | T101 | D4 |
| | | V101 | B4 |
| | | ZD101 | F3 |
| | | ZD102 | F4 |

5. 5.1CH P.C.BOARD (T533G/T533C/T513CT/T513C/T533AH)



| LOCATION GUIDE | |
|----------------|----|
| C303 | C2 |
| C304 | C3 |
| C309 | C3 |
| C310 | D3 |
| C311 | C4 |
| C312 | D4 |
| C315 | C4 |
| C318 | C4 |
| C320 | B4 |
| C321 | B3 |
| C322 | C3 |
| C323 | B5 |
| C325 | C6 |
| C326 | C6 |
| C332 | C5 |
| C333 | C5 |
| C334 | C5 |
| C338 | C5 |
| C339 | C4 |
| C341 | C6 |
| C342 | B6 |
| C651 | C7 |
| CN303 | C1 |
| CN601 | D1 |
| F301 | B2 |
| F302 | B2 |
| F303 | B4 |
| F304 | B4 |
| F305 | B4 |
| F306 | B4 |
| F651 | B7 |
| F652 | B8 |
| F653 | C7 |
| JK301 | B3 |
| JK601 | B6 |
| Q651 | D7 |
| Q652 | B8 |
| Q653 | B7 |
| R651 | C6 |
| R652 | D7 |
| R653 | D7 |
| R654 | D7 |
| R655 | C7 |
| R656 | C8 |
| R657 | C7 |
| R658 | C8 |
| R659 | C8 |
| ZD651 | C7 |
| ZD652 | C7 |

(Solder Side)

SECTION 4 MECHANISM OF DVD PART

CONTENTS

DECK MECHANISM PARTS LOCATIONS

- Top View.....4-1
- Top View(without Tray Disc)4-1
- Bottom View4-1

DECK MECHANISM DISASSEMBLY

1. Holder Clamp.....4-2
 - 1-1. Clamp Assembly Disc.....4-2
 - 1-1-1. Plate Clamp4-2
 - 1-1-2. Magnet Clamp4-2
 - 1-1-3. Clamp Upper.....4-2
2. Tray Disc4-2
3. Base Assembly Sled4-3
 - 3-1. Gear Assembly Feed4-3
 - 3-2. Gear Assembly Middle.....4-3
 - 3-3. Gear Assembly Rack.....4-3
4. Rubber Rear.....4-3

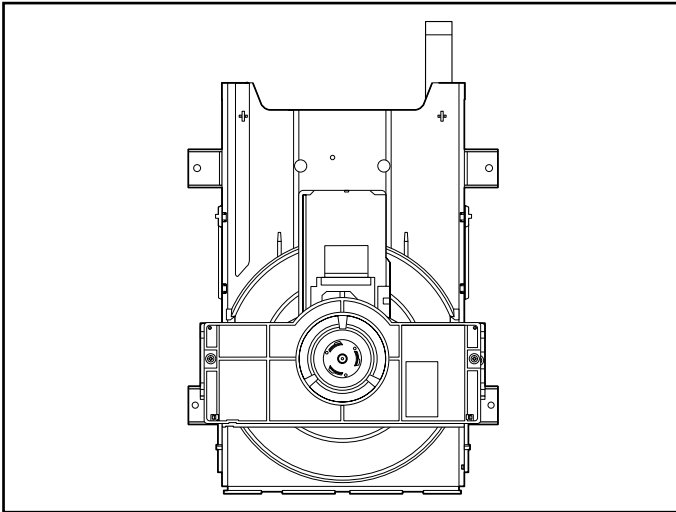
5. Frame Assembly Up/Down.....4-4
6. Belt Loading.....4-4
7. Gear Pulley4-4
8. Gear Loading4-4
9. Guide Up/Down.....4-4
10. PWB Assembly Loading4-4
11. Base Main.....4-4

EXPLODED VIEW

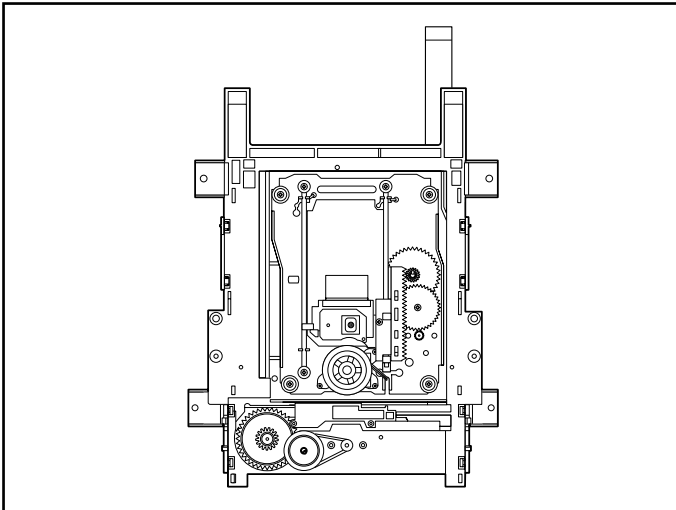
1. Deck Mechanism Exploded View....4-5
-

DECK MECHANISM PARTS LOCATION

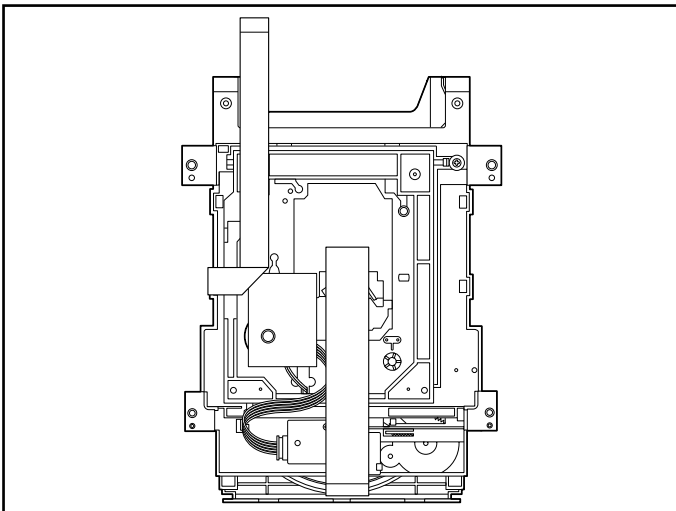
• Top View (With Tray)



• Top View (Without Tray)



• Bottom View



| Procedure | | Parts | Fixing Type | Disassembly | Figure |
|------------------------------------|----|---------------------------|-----------------------------------|-------------|--------|
| Starting No. | | | | | |
| | 1 | Holder Clamp | 2 Screws, 2 Locking Tabs | | 4-1 |
| 1 | 2 | Clamp Assembly Disc | | | 4-1 |
| 1, 2 | 3 | Plate Clamp | | | 4-1 |
| 1, 2, 3 | 4 | Magnet Clamp | | | 4-1 |
| 1, 2, 3, 4 | 5 | Clamp Upper | | | 4-1 |
| 1 | 6 | Tray Disc | | | 4-2 |
| 1, 6 | 7 | Base Assembly Sled | 4 Screws, | | 4-3 |
| 1, 2, 6 | 8 | Gear Assembly Feed | | | 4-3 |
| 1, 2, 6, 8 | 9 | Gear Middle | | | 4-3 |
| 1, 2, 6, 8, 9 | 10 | Gear Assembly Rack | 1 Screw | | 4-3 |
| 1, 2, 7 | 11 | Rubber Rear | | | 4-3 |
| 1, 2, 7 | 12 | Frame Assembly Up/Down | 1 Screw | Bottom | 4-4 |
| 1, 2 | 13 | Belt Loading | 1 Locking Tab | | 4-4 |
| 1, 2, 13 | 14 | Gear Pulley | | | 4-4 |
| 1, 2, 13, 14 | 15 | Gear Loading | 1 Locking Tab | | 4-4 |
| 1, 2, 7, 12, 13, 14 | 16 | Guide Up/Down | | | 4-4 |
| 1, 2, 13 | 17 | PWB Assembly Loading | 1 Locking Tab 1 Hook 2Screw | Bottom | 4-4 |
| 1, 2, 7, 12, 13, 14, 15, 16, 17 | 18 | Base Main | | | 4-4 |

Note

When reassembling, perform the procedure in reverse order.

The "Bottom" on Disassembly column of above Table indicates the part should be disassembled at the Bottom side.

DECK MECHANISM DISASSEMBLY

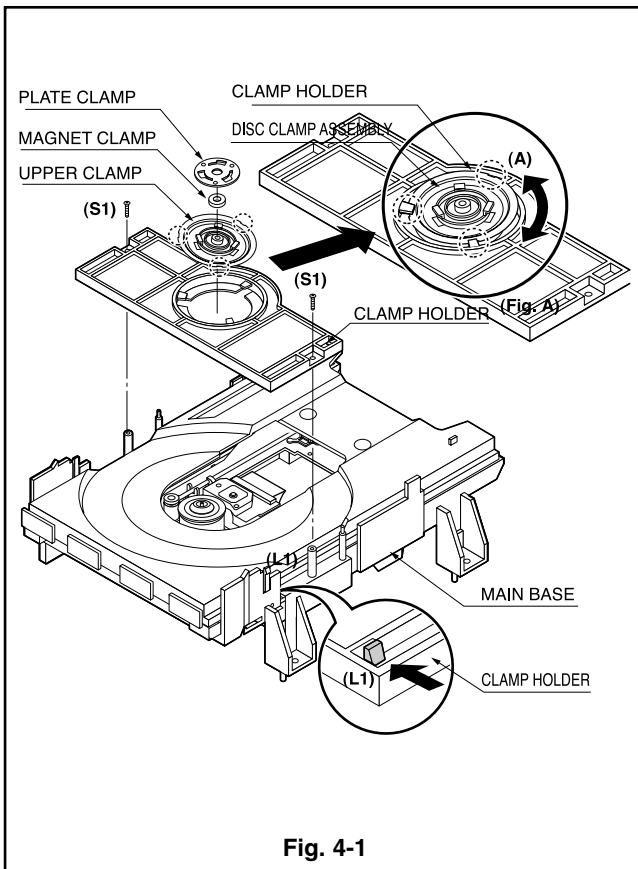


Fig. 4-1

1. Holder Clamp (Fig. 4-1)

- 1) Release 2 Screws(S1).
- 2) Unhook 2 Locking Tabs(L1).
- 3) Lift up the Holder Tabs and then separate it from the Base Main.

1-1. Clamp Assembly Disc

- 1) Place the Clamp Assembly Disc as Fig. (A)
- 2) Lift up the Clamp Assembly Disc in direction of arrow(A).
- 3) Separate the Clamp Assembly Disc from the Holder Clamp.

1-1-1. Plate Clamp

- 1) Turn the Plate Clamp to counterclockwise direction and then lift up the Plate Clamp.

1-1-2. Magnet Clamp

1-1-3. Clamp Upper

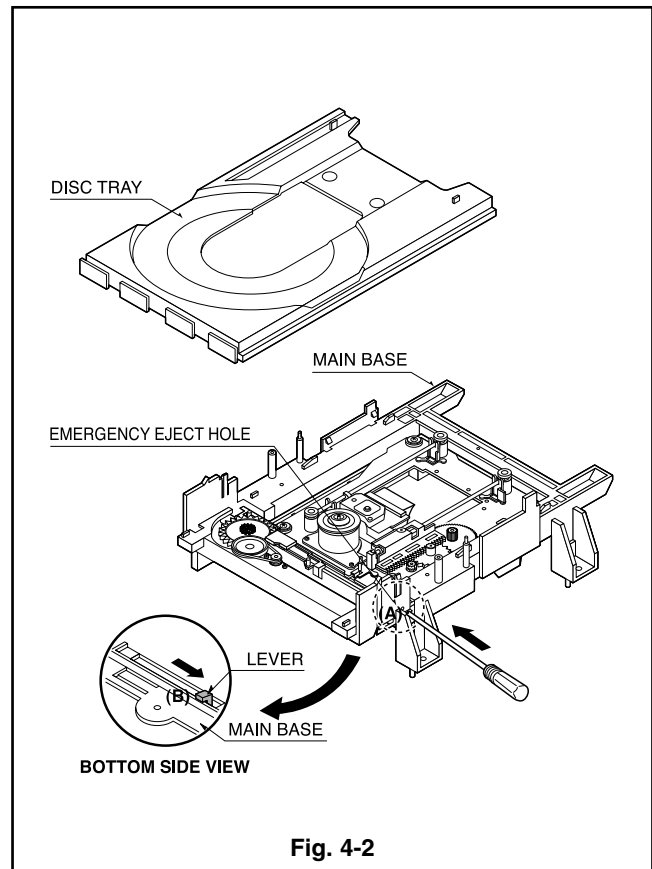
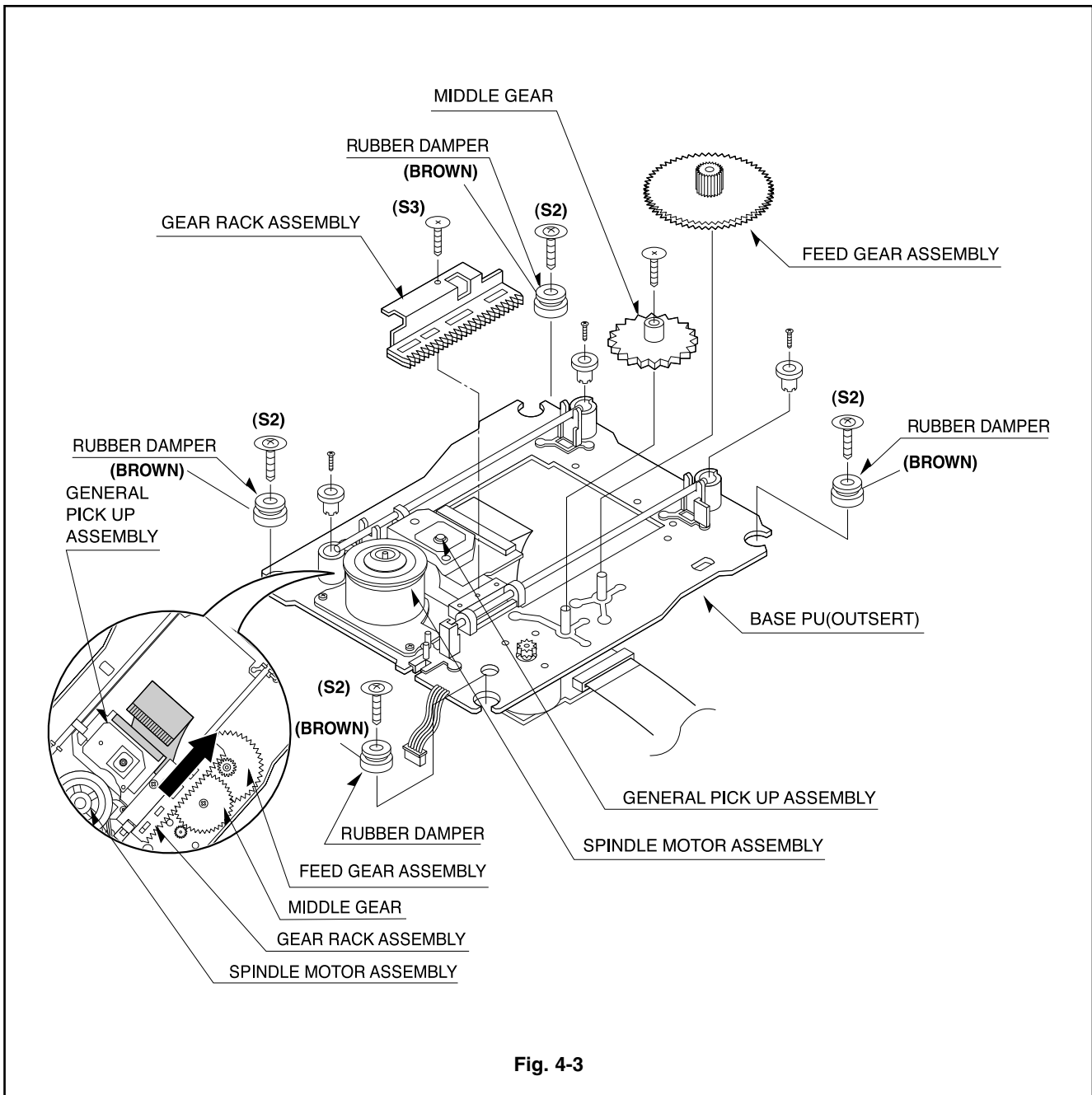


Fig. 4-2

2. Tray Disc (Fig. 4-2)

- 1) Insert and push a Driver in the emergency eject hole(A) at the right side, or put the Driver on the Lever(B) of the Gear Emergency and pull the Lever(B) in direction of arrow so that the Tray Disc is ejected about 15~20mm.
- 2) Pull the Tray Disc until it is separated from the Base Main completely.

DECK MECHANISM DISASSEMBLY



3. Base Assembly Sled (Fig. 4-3)

- 1) Release 4 Screw(S2).
- 2) Disconnect the FFC Connector(C1)

3-1. Gear Assembly Feed

3-2. Gear Middle

3-3. Gear Assembly Rack

- 1) Release the Scerw(S3)

4. Rubber Rear (Fig. 4-3)

DECK MECHANISM DISASSEMBLY

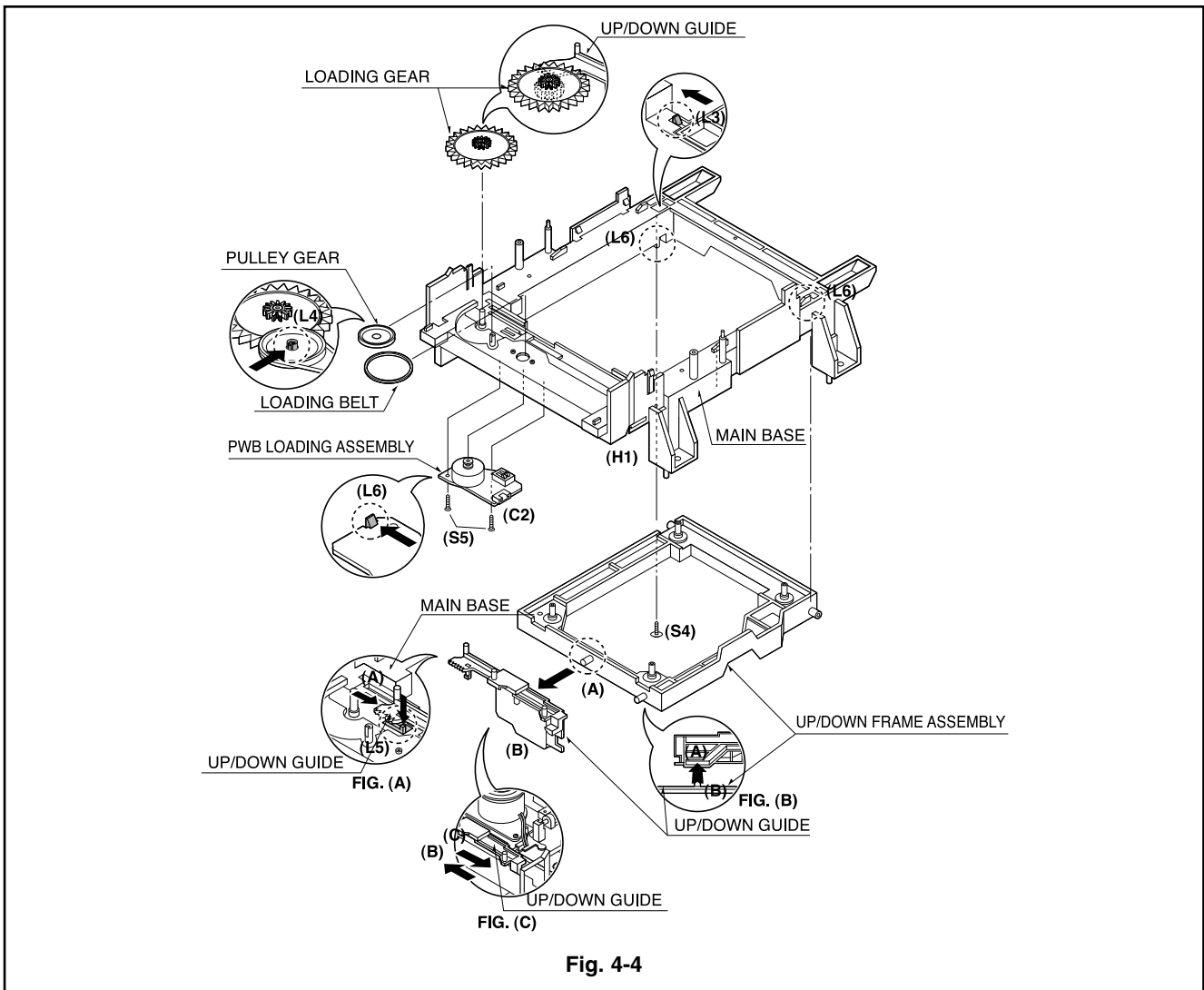


Fig. 4-4

5. Frame Assembly Up/Down (Fig. 4-4)

Note

Put the Base Main face down(Bottom Side)

- 1) Release the Screw(S4)
- 2) Unlock the Locking Tab(L3) in direction of arrow and then lift up the Frame Assembly Up/Down to separate it from the Base Main.

Note

- When reassembling move the Guide Up/Down in direction of arrow(C) until it is positioned as Fig.(C).
- When reassembling insert (A) portion of the Frame Assembly Up/Down in the (B) portion of the Guide Up/Down as Fig.(B)

6. Belt Loading(Fig. 4-4)

Note

Put the Base Main on original position(Top Side)

7. Gear pulley (Fig. 4-4)

- 1) Unlock the Locking Tab(L4) in direction of arrow(B) and then separate the Gear Pulley from the Base Main.

8. Gear Loading (Fig. 4-4)

9. Guide Up/Down (Fig. 4-4)

- 1) Move the Guide Up/Down in direction of arrow(A) as Fig.(A)
- 2) Push the Locking Tab(L5) down and then lift up the Guide Up/Down to separate it from the Base Main.

Note

When reassembling place the Guide Up/Down as Fig.(C) and move it in direction arrow(B) until it is locked by the Locking Tab(L5). And confirm the Guide Up/Down as Fig.(A)

10. PWB Assembly Loading (Fig. 4-4)

Note

Put the Base Main face down(Bottom Side)

- 1) Release 2 Screws(S5)
- 2) Unlock the Loading Motor (C2) from the Hook (H1) on the Base Main.
- 3) Unlock 2 Locking Tabs(L6) and separate the PWB Assembly Loading from the Base Main.

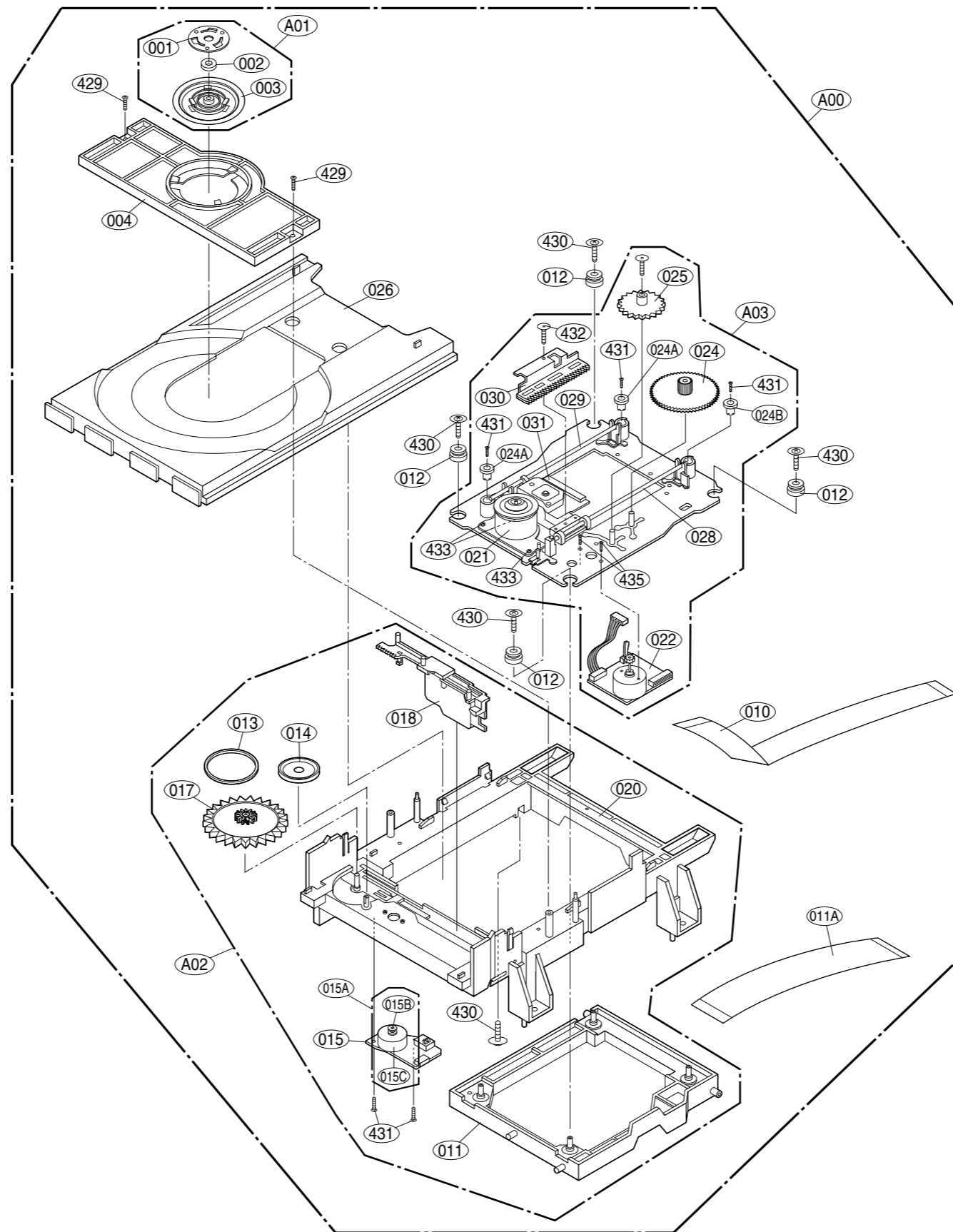
11. Base Main(Fig. 4-4)

MEMO

A series of horizontal dotted lines for writing.

EXPLODED VIEWS

1. Deck Mechanism Exploded View




MEMO

Lined writing area for the left page, consisting of 25 horizontal dotted lines.

MEMO

Lined writing area for the right page, consisting of 25 horizontal dotted lines.

NOTES)  Warning
Parts that are shaded are critical
With respect to risk of fire or
electrical shock.

SECTION 5 REPLACEMENT PARTS LIST

MODELS:(A)T533CT,(B)T533C,(C)T513CT,(D)T513C,(E)T533AH,(F)T513AH

RUN DATE:02.SEP.2003

.MECHANICAL SECTION

NSP:Not Service Part

| S | AL | LOCA.NO | PART NO(LG) | A | B | C | D | E | F | DESCRIPTION | SPECIFICATION | REMARKS |
|-------------------------------|----|---------|-------------|---|---|---|---|---|---|-------------------------|--------------------------------|---------|
| ASSEMBLY PARTS SECTION | | | | | | | | | | | | |
| | | A00 | 6721RH0370A | ○ | ○ | ○ | ○ | ○ | ○ | DECK ASSEMBLY,VIDEO | DECK/MECHA DP-7(55) MITSUMI GO | NSP |
| | | A01 | 4861R-0016B | ○ | ○ | ○ | ○ | ○ | ○ | CLAMP ASSEMBLY | DISC DP7 - SH | |
| | | A02 | 3041R-M003B | ○ | ○ | ○ | ○ | ○ | ○ | BASE ASSEMBLY | MAIN(DP-7R) - SH | |
| | | A03 | 3041R-M002B | ○ | ○ | ○ | ○ | ○ | ○ | BASE ASSEMBLY | S LED DP7(MIT 502W-GOLD) - SH | |
| PARTS SECTION | | | | | | | | | | | | |
| | | 001 | 3300R-0547A | ○ | ○ | ○ | ○ | ○ | ○ | PLATE | CLAMP | NSP |
| | | 002 | 5016H-1016B | ○ | ○ | ○ | ○ | ○ | ○ | MAGNET | CLAMP(LDM-R608,10*5,1*1.5T) | NSP |
| | | 003 | 4860R-0021A | ○ | ○ | ○ | ○ | ○ | ○ | CLAMP | UPPER DP7 | NSP |
| | | 004 | 4930R-0365A | ○ | ○ | ○ | ○ | ○ | ○ | HOLDER | CLAMP DP7 | |
| | | 010 | 6850R-GF10B | ○ | ○ | ○ | ○ | ○ | ○ | CABLE,FLAT | P=1.0 FFC UL2896(0.05X0.65) 6 | |
| | | 011 | 3210R-M001A | ○ | ○ | ○ | ○ | ○ | ○ | FRAME | UP/DOWN DP7 MOLD | |
| | | 011A | 6850R-JW24Y | ○ | ○ | ○ | ○ | ○ | ○ | CABLE,FLAT | P=1.0 FFC UL2896(0.035X0.7) 23 | |
| | | 012 | 5040R-0075D | ○ | ○ | ○ | ○ | ○ | ○ | RUBBER | DAMPER DP7 (YAMAUCHI 30) | |
| | | 013 | 4400H-1009A | ○ | ○ | ○ | ○ | ○ | ○ | BELT | GM-RT1332A | |
| | | 014 | 4470R-0055A | ○ | ○ | ○ | ○ | ○ | ○ | GEAR | PULLEY | |
| | | 015 | 6871R-9248B | ○ | ○ | ○ | ○ | ○ | ○ | PWB(PCB) ASSEMBLY,TOTAL | DP7 LOADING - SH | |
| | | 015A | 4681R-A003B | ○ | ○ | ○ | ○ | ○ | ○ | MOTOR ASSEMBLY | LOADING DP7 - SH | |
| | | 015B | 4560R-0008A | ○ | ○ | ○ | ○ | ○ | ○ | PULLEY | MOTOR | |
| | | 015C | 4680R-E007A | ○ | ○ | ○ | ○ | ○ | ○ | MOTOR(MECH) | FEEDING BCZ3B01 SANKYO FOR DVD | |
| | | 017 | 4470R-0056A | ○ | ○ | ○ | ○ | ○ | ○ | GEAR | LOADING | |
| | | 018 | 4974R-0046A | ○ | ○ | ○ | ○ | ○ | ○ | GUIDE | UP/DOWN(DP-7) | |
| | | 020 | 3040R-M004A | ○ | ○ | ○ | ○ | ○ | ○ | BASE | MAIN(DP7-55MM) MOLD | NSP |
| | | 021 | 4680R-C010A | ○ | ○ | ○ | ○ | ○ | ○ | MOTOR(MECH) | SPINDLE JCL9B78 SANKYO FOR DVD | |
| | | 022 | 4681R-B005B | ○ | ○ | ○ | ○ | ○ | ○ | MOTOR ASSEMBLY | FEEDING DP7 - SH | |
| | | 022A | 4680R-E008A | ○ | ○ | ○ | ○ | ○ | ○ | MOTOR(MECH) | FEEDING RF-300EA-1D390 MABUCHI | |
| | | 023 | 4470R-0119A | ○ | ○ | ○ | ○ | ○ | ○ | GEAR | FEED MOTOR | |
| | | 024 | 4470R-0124A | ○ | ○ | ○ | ○ | ○ | ○ | GEAR | PINION DP7 | |
| | | 024A | 5006R-0040A | ○ | ○ | ○ | ○ | ○ | ○ | CAP | SKEW (T) DP7 | |
| | | 024B | 5006R-0039A | ○ | ○ | ○ | ○ | ○ | ○ | CAP | SKEW (R) DP7 | |
| | | 025 | 4470R-0122A | ○ | ○ | ○ | ○ | ○ | ○ | GEAR | MIDDLE A DP7 | |
| | | 026 | 3390R-0015A | ○ | ○ | ○ | ○ | ○ | ○ | TRAY | DISC DP7 | |
| | | 027 | 4470R-0123A | ○ | ○ | ○ | ○ | ○ | ○ | GEAR | MIDDLE B DP7 | |
| | | 028 | 4370R-0083A | ○ | ○ | ○ | ○ | ○ | ○ | SHAFT | DECK/MECHA DP7 OTHER PU-T | |
| | | 029 | 4370R-0075A | ○ | ○ | ○ | ○ | ○ | ○ | SHAFT | PU | |
| | | 030 | 4471R-0010A | ○ | ○ | ○ | ○ | ○ | ○ | GEAR ASSEMBLY | RACK DP7 | |
| | | 031 | 6716DPH005A | ○ | ○ | ○ | ○ | ○ | ○ | PICK UP,DVD | PVR-502W MITSUMI PLAYER H/HIGH | |
| | | 032 | 6871R-9243B | ○ | ○ | ○ | ○ | ○ | ○ | PWB(PCB) ASSEMBLY,TOTAL | DP7 FEEDING - SH | |
| SCREW | | | | | | | | | | | | |
| | | 430 | 1SZZR-0046A | ○ | ○ | ○ | ○ | ○ | ○ | SCREW,DRAWING | + 1 D2.0 L6.0 SWRCH16A/FZY | |
| | | 431 | 1SZZH-1007B | ○ | ○ | ○ | ○ | ○ | ○ | SCREW,DRAWING | + D2.0 6MM SWRCH16A/ZNBK 4MM 1 | |
| | | 433 | 1SZZR-0050A | ○ | ○ | ○ | ○ | ○ | ○ | SCREW,DRAWING | + 1 D2.0 L4.5 SWRCH16A/ZNY S-T | |
| | | 434 | 1SZZR-0023B | ○ | ○ | ○ | ○ | ○ | ○ | SCREW,DRAWING | + 1 D1.7 L6.0 SWRCH16A/FZY RAC | |
| | | 435 | 1SZZR-0011A | ○ | ○ | ○ | ○ | ○ | ○ | SCREW, | MACHINE | |
| | | 436 | 1SZZR-0047A | ○ | ○ | ○ | ○ | ○ | ○ | SCREW,DRAWING | + 1 D1.4 L4.5 SWRCH16A/FZY TAP | |

| S | AL | LOCA.NO | PART NO(LG) | A | B | C | D | E | F | DESCRIPTION | SPECIFICATION | REMARKS |
|--|----|---------|-------------|---|---|---|---|---|---|-------------------------|--------------------------------|---------|
| .CABINET & MAIN FRAME SECTION | | | | | | | | | | | | |
| ASSEMBLY PARTS SECTION | | | | | | | | | | | | |
| | | A42 | 6871R-5698A | O | O | O | O | O | O | PWB(PCB) ASSEMBLY,TOTAL | DV7000S NAD KEY SH | |
| | | A43 | 3501RF8218A | | | | | | O | BOARD ASSEMBLY | DVD DVN7022NM_HA1UNN GRAY | |
| | | A43 | 3501RF8218B | | | | | | O | BOARD ASSEMBLY | DVD DVN7042NDM_HA1UNN GRAY | |
| | | A43 | 3501RF8218C | | | | | O | | BOARD ASSEMBLY | DVD DVN7072EM_HA62NN GRAY | |
| | | A43 | 3501RF8218D | | O | | | | | BOARD ASSEMBLY | DVD DVN7062EDM_HA6ENN GRAY | |
| | | A43 | 3501RF8218E | | | O | | | | BOARD ASSEMBLY | DVD DVN7072EM_HA6ENN TITANIUM | |
| | | A43 | 3501RF8218F | O | | | | | | BOARD ASSEMBLY | DVD DVN7062EDM_HA6ENN TITANIUM | |
| | | A44 | 3141R-D011V | | | | | | O | CHASSIS ASSEMBLY | DVN7022NM NAD_ONLY | NSP |
| | | A44 | 3141R-D011W | | | O | O | | | CHASSIS ASSEMBLY | DVN7022EM NAD_ONLY | NSP |
| | | A44 | 3141R-D011X | | | | | O | | CHASSIS ASSEMBLY | DVN7042NM NAD_ONLY | NSP |
| | | A44 | 3141R-D011Y | O | O | | | | | CHASSIS ASSEMBLY | DVN7042EM NAD_ONLY | NSP |
| | | A46 | 6871R-7700J | | | | | | O | PWB(PCB) ASSEMBLY,TOTAL | DVN7022NM MAIN SH | |
| | | A46 | 6885R-1015R | | | | | | O | SUB PWB(PCB) ASSEMBLY | DVN7042NDM HA1UNN | |
| | | A46 | 6885R-1015S | | | | | | O | SUB PWB(PCB) ASSEMBLY | DVN7022NM HA1UNN | |
| | | A46 | 6885R-1015T | | | O | | | | SUB PWB(PCB) ASSEMBLY | DVN7072EM HA6ENNT | |
| | | A46 | 6885R-1015U | | | | O | | | SUB PWB(PCB) ASSEMBLY | DVN7072EM HA6ENN | |
| | | A46 | 6885R-1015V | O | | | | | | SUB PWB(PCB) ASSEMBLY | DVN7062EDM HA6ENNT | |
| | | A46 | 6885R-1015Q | | O | | | | | SUB PWB(PCB) ASSEMBLY | DVN7062EDM HA6ENN | |
| | | A47 | 6871R-7605Q | | | | | | O | PWB(PCB) ASSEMBLY,TOTAL | DV7000S NAD SMPS SH 110V(UL) | |
| | | A47 | 6871R-7605R | O | | O | O | | | PWB(PCB) ASSEMBLY,TOTAL | DV7000S NAD SMPS SH 220V(CE) | |
| | | A47 | 6871R-7605Q | | | | | | O | PWB(PCB) ASSEMBLY,TOTAL | DV7000S NAD SMPS SH 110V(UL) | |
| | | A47 | 6871R-7605R | | O | | | | | PWB(PCB) ASSEMBLY,TOTAL | DV7000S NAD SMPS SH 220V(CE) | |
| | | A48 | 6871R-7601F | O | | | | | | PWB(PCB) ASSEMBLY,TOTAL | DV7000S NAD 5.1CH/SCART SH | |
| | | A48 | 6871R-7601G | | | O | O | | | PWB(PCB) ASSEMBLY,TOTAL | DV7000S NAD SCART SH | |
| | | A48 | 6871R-7601F | | O | | | | | PWB(PCB) ASSEMBLY,TOTAL | DV7000S NAD 5.1CH/SCART SH | |
| | | A48 | 6871R-7601H | | | | | | O | PWB(PCB) ASSEMBLY,TOTAL | DVN7042NDM NAD 5.1CH SH | |
| | | A49 | 6871R-5697B | O | O | O | O | | | PWB(PCB) ASSEMBLY,TOTAL | DV7000S NAD TIMER SH | |
| PARTS SECTION | | | | | | | | | | | | |
| | | 250 | 3110R-D012A | | O | | O | O | O | CASE | NAD_03_(D423G 55MM) PRESS | |
| | | 250 | 3110R-D012B | O | | O | | | | CASE | NAD_03(A288G 55MM) PRESS | |
| | | 260 | 3140R-D002A | O | O | O | O | | | CHASSIS | DV7000 PRESS MAIN | NSP |
| | | 260 | 3140R-D002B | | | | | | O | CHASSIS | DV7000 PRESS WITH FOOT | NSP |
| | | 260 | 3140R-D002B | | | | | | O | CHASSIS | DV7000 PRESS WITH FOOT | NSP |
| | | 261 | 5040R-0069K | O | O | O | O | O | O | RUBBER | DVD CUSTION_NAD OTHER | |
| | | 280 | 3721R-F806A | | | | | | O | PANEL ASSEMBLY,FRONT | DVD DVN7022NM_HA1UNN GRAY | |
| | | 280 | 3721R-F806B | | | | | | O | PANEL ASSEMBLY,FRONT | DVD DVN7042NDM_HA1UNN GRAY | |
| | | 280 | 3721R-F806C | | | | | O | | PANEL ASSEMBLY,FRONT | DVD DVN7072EM_HA6ENN GRAY | |
| | | 280 | 3721R-F806D | | O | | | | | PANEL ASSEMBLY,FRONT | DVD DVN7062EM_HA6ENN GRAY | |
| | | 280 | 3721R-F806E | | | O | | | | PANEL ASSEMBLY,FRONT | DVD DVN7072EM_HA6ENN TITANIUM | |
| | | 280 | 3721R-F806F | O | | | | | | PANEL ASSEMBLY,FRONT | DVD DVN7062EM_HA6ENN TITANIUM | |
| | | 283 | 3580R-T113A | | | | O | | O | DOOR,CASE | DVD VIDEO MOLD D423G_GRAY | |
| | | 283 | 3580R-T113B | | | O | | | | DOOR,CASE | DVD VIDEO MOLD A7616G_TITANIUM | |
| | | 283 | 3580R-T113C | | O | | | | O | DOOR,CASE | DVD AUDIO+VIDEO MOLD D423G_GRA | |
| | | 283 | 3580R-T113D | O | | | | | | DOOR,CASE | DVD AUDIO+VIDEO MOLD A7616G_TI | |
| | ⚠ | 300 | 6410RAHX02A | | | | | O | O | POWER CORD | SP-120P/JL001 CHAUS/JULIAN UL/ | |
| | ⚠ | 300 | 6410RCHX03A | O | O | O | O | | | POWER CORD | CE-503/JL201B H03VVH2-F 2X0.75 | |
| | | 320 | 3720R-D085W | | | O | O | | | PANEL,VIDEO | DVD DV7022EM PRESS NAD_EUROPE | |
| | | 320 | 3720R-D085X | | | | | | O | PANEL,VIDEO | CCD DVN7042NDM PRESS NAD_U.S.A | |
| | | 320 | 3720R-D085Y | O | O | | | | | PANEL,VIDEO | DVD DVN7042EDM PRESS NAD_EUROP | |
| | | 320 | 3720R-D085V | | | | | | O | PANEL,VIDEO | DVD DVN7022NM PRESS NAD_U.S.A | |
| | | 332 | 4930R-0460A | | | | | | O | HOLDER | DVD BUTTOM(FRONT) MOLD | |
| SCREW | | | | | | | | | | | | |
| | | 452 | 353-051A | | | | | O | | SCREW | SPECIAL | |
| | | 452 | 353-051A | O | O | O | | O | O | SCREW | SPECIAL | |
| | | 463 | 353-051G | | | | | | O | SCREW,DRAWING | + 2 D3.0 L8.0 MSWR3/FN TB ROUN | |
| | | 463 | 353-051G | | O | | O | O | | SCREW,DRAWING | + 2 D3.0 L8.0 MSWR3/FN TB ROUN | |
| | | 463 | 353-051G | O | | O | | | | SCREW,DRAWING | + 2 D3.0 L8.0 MSWR3/FN TB ROUN | |

| S | AL | LOCA.NO | PART NO(LG) | A | B | C | D | E | F | DESCRIPTION | SPECIFICATION | REMARKS |
|---|----|---------|-------------|---|---|---|---|---|---|----------------------------|--------------------------------|---------|
| | | 465 | 353-046K | | | | | | O | SCREW | SPECIAL (3X10 B.K) | |
| | | 465 | 353-046K | | | | | | O | SCREW | SPECIAL (3X10 B.K) | |
| | | 465 | 353-046K | | | O | O | | | SCREW | SPECIAL (3X10 B.K) | |
| | | 465 | 353-046K | O | O | | | | | SCREW | SPECIAL (3X10 B.K) | |
| | | 467 | 353-046N | O | O | O | O | O | O | SCREW,DRAWING | SPECIAL(3X8 BK.) | |
| .PACKING & ACCESSORY SECTION | | | | | | | | | | | | |
| | | 801 | 3835RS0064B | O | O | | | | | INSTRUCTION ASSEMBLY | DVD DVN7062EDM HA6ENN | |
| | | 801 | 3835RS0064C | | | | | | O | INSTRUCTION ASSEMBLY | DVD DVN7042NDM HA1UNN | |
| | | 801 | 3835RS0064D | | | | | | O | INSTRUCTION ASSEMBLY | DVD DVN7022NM HA1UNN | |
| | | 801 | 3835RS0064F | | | O | O | | | INSTRUCTION ASSEMBLY | DVD DVN7072EM HA6ENN | |
| | | 802 | 3890R-H201J | | | | | O | | BOX | DR4810PL AA6PLL SW3-A 1.276 4 | |
| | | 802 | 3890R-H201P | | O | | | | | BOX | DVN7062EDM HA6ENN SW2-E 0.893 | |
| | | 802 | 3890R-H201Q | | | | | | O | BOX | DVN7042NDM HA1UNN SW2-E 0.893 | |
| | | 802 | 3890R-H201R | | | | | | O | BOX | DVN7022NM HA1UNN SW2-E 0.893 3 | |
| | | 802 | 3890R-H201S | O | | | | | | BOX | DVN7072EM HA6ENNT SW2-E 0.893 | |
| | | 802 | 3890R-H201S | | | O | | | | BOX | DVN7072EM HA6ENNT SW2-E 0.893 | |
| | | 803 | 3920R-E094A | O | O | O | O | O | O | PACKING,CASING | DVN7011EM 0.02 80 EPS 5 825 17 | |
| | | 804 | 292-053B | O | O | O | O | O | O | BAG | SOFT(MIDI) | NSP |
| | | 808 | 841-0021 | O | O | O | O | O | O | BATTERY,MN | ER03X HI WATT 1.5V .MA/H AAA | |
| | | 810 | 6851RP0003N | O | O | O | O | O | O | CABLE ASSY,RF | DVD CABLE ASSY,RCA USING AREA | |
| | | 811 | 6611R1G001A | O | O | O | O | O | O | PLUG ASSY | 1WAY YELLOW GLOBAL | |
| | | 812 | 6611R2G001A | O | O | O | O | O | O | PLUG ASSY | 2WAY RED/WHITE GLOBAL | |
| .REMOTE CONTROL SECTION | | | | | | | | | | | | |
| | | 900 | 6711R2N124A | O | O | O | O | O | O | REMOTE CONTROLLER ASSEMBLY | NAD DVN7022NM HA1UNN NAD | |

ELECTRICAL SECTION

| S | AL | LOCA.NO | PART NO(LG) | A | B | C | D | E | F | DESCRIPTION | SPECIFICATION | REMARKS |
|---|----|---------|-------------|---|---|---|---|---|---|--------------------------------|--------------------------------|---------|
| | | BC101 | 636-004C | 0 | 0 | 0 | 0 | 0 | 0 | FILTER(CIRC),EMC | BEAD CORE BFS3550R2FD8,R T/P | |
| | | BD101 | 0DD160000DA | 0 | 0 | 0 | 0 | 0 | 0 | DIODE | S1WBA60(1A 600V) SHIDENKEN | |
| △ | | C101 | 624-088S | 0 | 0 | 0 | 0 | 0 | 0 | CAPACITOR,DRAWING | MPX104K ETR/EUROPTRONIC BULK | |
| | | C102 | 624-088S | 0 | 0 | 0 | 0 | 0 | 0 | CAPACITOR,DRAWING | MPX104K ETR/EUROPTRONIC BULK | |
| | | C103 | 0CE1076Q600 | | | | | | 0 | CAPACITOR,ELECTROLYTIC | 100UF SMS 200V M W BULK | |
| | | C103 | 0CE686CU611 | 0 | 0 | 0 | 0 | | | CAPACITOR,AL,ELECTROLYTIC | 68UF SHL,SD 400V M FL BK7.5 | |
| | | C104 | 624-085D | 0 | 0 | 0 | 0 | 0 | 0 | CAPACITOR | CE 47UF/50V KME (SMPS) | |
| | | C106 | 0CE1064F638 | 0 | 0 | 0 | 0 | 0 | 0 | CAPACITOR,ELECTROLYTIC | 10M SRA 16V M FM5 TP(5) | |
| | | C107 | 0CG2220U630 | 0 | 0 | 0 | 0 | 0 | 0 | CAPACITOR,SEMI CERAMIC | 2200 PF 400V M E R (NK,AD,SD) | |
| | | C108 | 0CE4744K638 | 0 | 0 | 0 | 0 | 0 | 0 | CAPACITOR,ELECTROLYTIC | 0.47M SRA 50V M FM5 TP(5) | |
| | | C109 | 0CE108BF630 | 0 | 0 | 0 | 0 | 0 | 0 | CAPACITOR,FIXED ELECTROLYTIC | 1000UF KME 16V M FM5 BULK | |
| | | C110 | 0CN4730K948 | 0 | 0 | 0 | 0 | 0 | 0 | CAPACITOR,FIXED TUBULAR(High d | 0.047UF D 50V 80%,-20% F(Y5V) | |
| | | C112 | 0CE3376D638 | 0 | 0 | 0 | 0 | 0 | 0 | CAPACITOR,ELECTROLYTIC | 330UF SMS 10V M FM5 TP5 | |
| | | C113 | 0CG1020U630 | 0 | 0 | 0 | 0 | 0 | 0 | CAPACITOR,SEMI CERAMIC | 1000PF 400V M E(Z5U) R | |
| | | C115 | 0CE3366K638 | 0 | 0 | 0 | 0 | 0 | 0 | CAPACITOR,FIXED ELECTROLYTIC | 33UF SMS,SG 50V 20% FM5 TP 5 | |
| | | C116 | 0CE477BH630 | 0 | 0 | 0 | 0 | 0 | 0 | CAPACITOR,AL,ELECTROLYTIC | 470UF KME TYPE 25V M FM5 BULK | |
| | | C118 | 0CE1074F638 | 0 | 0 | 0 | 0 | 0 | 0 | CAPACITOR,ELECTROLYTIC | 100U SRA 16V M FM5 TP(5) | |
| | | C119 | 624-087G | 0 | 0 | 0 | 0 | 0 | 0 | CAPACITOR | HIGH-VOL 68PF/1KV SMPS SAMHWA | |
| | | C120 | 0CE1074F638 | 0 | 0 | 0 | 0 | 0 | 0 | CAPACITOR,ELECTROLYTIC | 100U SRA 16V M FM5 TP(5) | |
| | | C121 | 0CE2276F638 | 0 | 0 | 0 | 0 | 0 | 0 | CAPACITOR,ELECTROLYTIC | 220U SMS 16V M FM5 TP(5) | |
| | | C122 | 624-085D | 0 | 0 | 0 | 0 | 0 | 0 | CAPACITOR | CE 47UF/50V KME (SMPS) | |
| | | C123 | 0CE108BF630 | 0 | 0 | 0 | 0 | 0 | 0 | CAPACITOR,FIXED ELECTROLYTIC | 1000UF KME 16V M FM5 BULK | |
| | | C124 | 0CE337CH618 | 0 | 0 | 0 | 0 | 0 | 0 | CAPACITOR,FIXED ELECTROLYTIC | 330UF SHL,SD 25V 20% FL TP 5 | |
| | | C126 | 0CQ1031Y519 | 0 | 0 | 0 | 0 | 0 | 0 | CAPACITOR,POLYESTER | 0.01UF D 630V K PE NI TP | |
| | | C128 | 0CQ1042K409 | 0 | 0 | 0 | 0 | 0 | 0 | CAPACITOR,FIXED FILM | 0.1UF S 50V J PE TP | |
| | | C130 | 0CE1074F638 | 0 | 0 | 0 | 0 | 0 | 0 | CAPACITOR,ELECTROLYTIC | 100U SRA 16V M FM5 TP(5) | |
| | | C131 | 0CE1074F638 | 0 | 0 | 0 | 0 | 0 | 0 | CAPACITOR,ELECTROLYTIC | 100U SRA 16V M FM5 TP(5) | |
| | | C137 | 0CE3376D638 | 0 | 0 | 0 | 0 | 0 | 0 | CAPACITOR,ELECTROLYTIC | 330UF SMS 10V M FM5 TP5 | |
| | | C201 | 0CH1104K942 | 0 | 0 | 0 | 0 | 0 | 0 | CAPACITOR,CHIP[CERAMIC M/L HD | 0.1UF 50V Z Y5V(F) 1508 R/TP | |
| | | C202 | 0CH1104K942 | 0 | 0 | 0 | 0 | 0 | 0 | CAPACITOR,CHIP[CERAMIC M/L HD | 0.1UF 50V Z Y5V(F) 1508 R/TP | |
| | | C203 | 0CH1104K942 | 0 | 0 | 0 | 0 | 0 | 0 | CAPACITOR,CHIP[CERAMIC M/L HD | 0.1UF 50V Z Y5V(F) 1508 R/TP | |
| | | C206 | 0CE1074F638 | 0 | 0 | 0 | 0 | 0 | 0 | CAPACITOR,ELECTROLYTIC | 100U SRA 16V M FM5 TP(5) | |
| | | C207 | 0CE4764F638 | 0 | 0 | 0 | 0 | 0 | 0 | CAPACITOR,ELECTROLYTIC | 47M SRA/SS 16V M FM5 TP(5) | |
| | | C208 | 0CE4764F638 | 0 | 0 | 0 | 0 | 0 | 0 | CAPACITOR,ELECTROLYTIC | 47M SRA/SS 16V M FM5 TP(5) | |
| | | C211 | 0CH1104K942 | 0 | 0 | 0 | 0 | 0 | 0 | CAPACITOR,CHIP[CERAMIC M/L HD | 0.1UF 50V Z Y5V(F) 1508 R/TP | |
| | | C212 | 0CH1104K942 | 0 | 0 | 0 | 0 | 0 | 0 | CAPACITOR,CHIP[CERAMIC M/L HD | 0.1UF 50V Z Y5V(F) 1508 R/TP | |
| | | C213 | 0CH1104K942 | 0 | 0 | 0 | 0 | 0 | 0 | CAPACITOR,CHIP[CERAMIC M/L HD | 0.1UF 50V Z Y5V(F) 1508 R/TP | |
| | | C214 | 0CH1104K942 | 0 | 0 | 0 | 0 | 0 | 0 | CAPACITOR,CHIP[CERAMIC M/L HD | 0.1UF 50V Z Y5V(F) 1508 R/TP | |
| | | C231 | 0CH1104K942 | 0 | 0 | 0 | 0 | 0 | 0 | CAPACITOR,CHIP[CERAMIC M/L HD | 0.1UF 50V Z Y5V(F) 1508 R/TP | |
| | | C232 | 0CH1104K942 | 0 | 0 | 0 | 0 | 0 | 0 | CAPACITOR,CHIP[CERAMIC M/L HD | 0.1UF 50V Z Y5V(F) 1508 R/TP | |
| | | C233 | 0CH1104K942 | 0 | 0 | 0 | 0 | 0 | 0 | CAPACITOR,CHIP[CERAMIC M/L HD | 0.1UF 50V Z Y5V(F) 1508 R/TP | |
| | | C234 | 0CH1104K942 | 0 | 0 | 0 | 0 | 0 | 0 | CAPACITOR,CHIP[CERAMIC M/L HD | 0.1UF 50V Z Y5V(F) 1508 R/TP | |
| | | C239 | 0CH1104K942 | 0 | 0 | 0 | 0 | 0 | 0 | CAPACITOR,CHIP[CERAMIC M/L HD | 0.1UF 50V Z Y5V(F) 1508 R/TP | |
| | | C240 | 0CH1153K562 | 0 | 0 | 0 | 0 | 0 | 0 | CAPACITOR,FIXED CERAMIC(Temp.c | 0.015UF 50V 10% X7R(X) 1608 R/ | |
| | | C241 | 0CE4764F638 | 0 | 0 | 0 | 0 | 0 | 0 | CAPACITOR,ELECTROLYTIC | 47M SRA/SS 16V M FM5 TP(5) | |
| | | C243 | 0CH4561K412 | 0 | 0 | 0 | 0 | 0 | 0 | CAPACITOR,FIXED CERAMIC(High d | 560PF 50V 5% NP0 1608 R/TP | |
| | | C244 | 0CH4561K412 | 0 | 0 | 0 | 0 | 0 | 0 | CAPACITOR,FIXED CERAMIC(High d | 560PF 50V 5% NP0 1608 R/TP | |
| | | C245 | 0CH1104K942 | 0 | 0 | 0 | 0 | 0 | 0 | CAPACITOR,CHIP[CERAMIC M/L HD | 0.1UF 50V Z Y5V(F) 1508 R/TP | |
| | | C251 | 0CH1104K942 | 0 | 0 | 0 | 0 | 0 | 0 | CAPACITOR,CHIP[CERAMIC M/L HD | 0.1UF 50V Z Y5V(F) 1508 R/TP | |
| | | C252 | 0CH1104K942 | 0 | 0 | 0 | 0 | 0 | 0 | CAPACITOR,CHIP[CERAMIC M/L HD | 0.1UF 50V Z Y5V(F) 1508 R/TP | |
| | | C253 | 0CH1104K942 | 0 | 0 | 0 | 0 | 0 | 0 | CAPACITOR,CHIP[CERAMIC M/L HD | 0.1UF 50V Z Y5V(F) 1508 R/TP | |
| | | C254 | 0CH1104K942 | 0 | 0 | 0 | 0 | 0 | 0 | CAPACITOR,CHIP[CERAMIC M/L HD | 0.1UF 50V Z Y5V(F) 1508 R/TP | |
| | | C255 | 0CH1104K942 | 0 | 0 | 0 | 0 | 0 | 0 | CAPACITOR,CHIP[CERAMIC M/L HD | 0.1UF 50V Z Y5V(F) 1508 R/TP | |
| | | C257 | 0CH1105D942 | 0 | 0 | 0 | 0 | 0 | 0 | CAPACITOR,CHIP[CERAMIC M/L HD | 1UF 10V Z Y5V(F) 1508 R/TP | |
| | | C258 | 0CH1105D942 | 0 | 0 | 0 | 0 | 0 | 0 | CAPACITOR,CHIP[CERAMIC M/L HD | 1UF 10V Z Y5V(F) 1508 R/TP | |
| | | C259 | 0CH1105D942 | 0 | 0 | 0 | 0 | 0 | 0 | CAPACITOR,CHIP[CERAMIC M/L HD | 1UF 10V Z Y5V(F) 1508 R/TP | |
| | | C260 | 0CH1105D942 | 0 | 0 | 0 | 0 | 0 | 0 | CAPACITOR,CHIP[CERAMIC M/L HD | 1UF 10V Z Y5V(F) 1508 R/TP | |

| S | AL | LOCA.NO | PART NO(LG) | A | B | C | D | E | F | DESCRIPTION | SPECIFICATION | REMARKS |
|---|----|---------|-------------|---|---|---|---|---|---|--------------------------------|--------------------------------|---------|
| | | C261 | 0CH1105D942 | o | o | o | o | o | o | CAPACITOR,CHIP[CERAMIC M/L HD | 1UF 10V Z Y5V(F) 1508 R/TP | |
| | | C262 | 0CH1104K942 | o | o | o | o | o | o | CAPACITOR,CHIP[CERAMIC M/L HD | 0.1UF 50V Z Y5V(F) 1508 R/TP | |
| | | C263 | 0CH1104K942 | o | o | o | o | o | o | CAPACITOR,CHIP[CERAMIC M/L HD | 0.1UF 50V Z Y5V(F) 1508 R/TP | |
| | | C264 | 0CH1153K562 | o | o | o | o | o | o | CAPACITOR,FIXED CERAMIC(Temp.c | 0.015UF 50V 10% X7R(X) 1608 R/ | |
| | | C265 | 0CH1104K942 | o | o | o | o | o | o | CAPACITOR,CHIP[CERAMIC M/L HD | 0.1UF 50V Z Y5V(F) 1508 R/TP | |
| | | C266 | 0CH1104K942 | o | o | o | o | o | o | CAPACITOR,CHIP[CERAMIC M/L HD | 0.1UF 50V Z Y5V(F) 1508 R/TP | |
| | | C267 | 0CH1104K942 | o | o | o | o | o | o | CAPACITOR,CHIP[CERAMIC M/L HD | 0.1UF 50V Z Y5V(F) 1508 R/TP | |
| | | C268 | 0CH1104K942 | o | o | o | o | o | o | CAPACITOR,CHIP[CERAMIC M/L HD | 0.1UF 50V Z Y5V(F) 1508 R/TP | |
| | | C269 | 0CH1104K942 | o | o | o | o | o | o | CAPACITOR,CHIP[CERAMIC M/L HD | 0.1UF 50V Z Y5V(F) 1508 R/TP | |
| | | C270 | 0CH1104K942 | o | o | o | o | o | o | CAPACITOR,CHIP[CERAMIC M/L HD | 0.1UF 50V Z Y5V(F) 1508 R/TP | |
| | | C271 | 0CH4391K412 | o | o | o | o | o | o | CAPACITOR,CHIP[CERAMIC M/L TC | 390PF 50V J NP0 1508 R/TP | |
| | | C272 | 0CH4391K412 | o | o | o | o | o | o | CAPACITOR,CHIP[CERAMIC M/L TC | 390PF 50V J NP0 1508 R/TP | |
| | | C273 | 0CH1333K562 | o | o | o | o | o | o | CAPACITOR,CHIP[CERAMIC M/L HD | 0.033UF 50V K X7R(X) 1508 R/TP | |
| | | C274 | 0CH4471K412 | o | o | o | o | o | o | CAPACITOR,CHIP[CERAMIC M/L TC | 470PF 50V J NP0 1508 R/TP | |
| | | C276 | 0CH4100K112 | o | o | o | o | o | o | CHIP CAPA CERAMIC M/L T.C F/S | 10P 50V D COG 1.6X0.8 R/TP | |
| | | C277 | 0CH1153K562 | o | o | o | o | o | o | CAPACITOR,FIXED CERAMIC(Temp.c | 0.015UF 50V 10% X7R(X) 1608 R/ | |
| | | C278 | 0CH4270K412 | o | o | o | o | o | o | CAPACITOR,CHIP[CERAMIC M/L TC | 27PF 50V J NP0 1608 R/TP | |
| | | C279 | 0CH1104K942 | o | o | o | o | o | o | CAPACITOR,CHIP[CERAMIC M/L HD | 0.1UF 50V Z Y5V(F) 1508 R/TP | |
| | | C280 | 0CH1104K942 | o | o | o | o | o | o | CAPACITOR,CHIP[CERAMIC M/L HD | 0.1UF 50V Z Y5V(F) 1508 R/TP | |
| | | C281 | 0CH1104K942 | o | o | o | o | o | o | CAPACITOR,CHIP[CERAMIC M/L HD | 0.1UF 50V Z Y5V(F) 1508 R/TP | |
| | | C282 | 0CH1104K942 | o | o | o | o | o | o | CAPACITOR,CHIP[CERAMIC M/L HD | 0.1UF 50V Z Y5V(F) 1508 R/TP | |
| | | C283 | 0CH1104K942 | o | o | o | o | o | o | CAPACITOR,CHIP[CERAMIC M/L HD | 0.1UF 50V Z Y5V(F) 1508 R/TP | |
| | | C291 | 0CE1074F638 | o | o | o | o | o | o | CAPACITOR,ELECTROLYTIC | 100U SRA 16V M FM5 TP(5) | |
| | | C292 | 0CE4764F638 | o | o | o | o | o | o | CAPACITOR,ELECTROLYTIC | 47M SRA/SS 16V M FM5 TP(5) | |
| | | C293 | 0CE4764F638 | o | o | o | o | o | o | CAPACITOR,ELECTROLYTIC | 47M SRA/SS 16V M FM5 TP(5) | |
| | | C295 | 0CE1064F638 | o | o | o | o | o | o | CAPACITOR,ELECTROLYTIC | 10M SRA 16V M FM5 TP(5) | |
| | | C2A1 | 0CH1104K942 | | | | | o | o | CAPACITOR,CHIP[CERAMIC M/L HD | 0.1UF 50V Z Y5V(F) 1508 R/TP | |
| | | C2A2 | 0CH1104K942 | | | | | o | o | CAPACITOR,CHIP[CERAMIC M/L HD | 0.1UF 50V Z Y5V(F) 1508 R/TP | |
| | | C302 | 0CH1104K946 | o | o | | | o | | CAPACITOR,FIXED CERAMIC(TEMP.C | 0.1UF 2012 50V 80%,-20% Y5V(F) | |
| | | C303 | 0CE1064F638 | o | o | | | o | | CAPACITOR,ELECTROLYTIC | 10M SRA 16V M FM5 TP(5) | |
| | | C304 | 0CE2274C638 | o | o | | | o | | CAPACITOR,ELECTROLYTIC | 220M SRA 6.3V M FM5 TP(5) | |
| | | C305 | 0CH1104K946 | o | o | | | o | | CAPACITOR,FIXED CERAMIC(TEMP.C | 0.1UF 2012 50V 80%,-20% Y5V(F) | |
| | | C306 | 0CH4102K406 | o | o | | | o | | CHIP CAPA CERAMIC M/L T.C F/S | 1000P 50V J SL 2.0X1.2 R/TP | |
| | | C307 | 0CH4101K416 | o | o | | | o | | CAPA,CHIP CERAMIC M/L T.C F/S | 100P 50V J NP0 2.0*1.25 R/TP | |
| | | C308 | 0CH1392K566 | o | o | | | o | | CAPACITOR,FIXED CERAMIC(Temp.c | 3900P 50V K X7R 2.0X1.2 R/TP | |
| | | C309 | 0CE1064F638 | o | o | | | o | | CAPACITOR,ELECTROLYTIC | 10M SRA 16V M FM5 TP(5) | |
| | | C310 | 0CE2264F638 | o | o | | | o | | CAPACITOR,ELECTROLYTIC | 22M SRA 16V M FM5 TP(5) | |
| | | C311 | 0CE1064F638 | o | o | | | o | | CAPACITOR,ELECTROLYTIC | 10M SRA 16V M FM5 TP(5) | |
| | | C312 | 0CE2264F638 | o | o | | | o | | CAPACITOR,ELECTROLYTIC | 22M SRA 16V M FM5 TP(5) | |
| | | C313 | 0CH4102K406 | o | o | | | o | | CHIP CAPA CERAMIC M/L T.C F/S | 1000P 50V J SL 2.0X1.2 R/TP | |
| | | C314 | 0CH4101K416 | o | o | | | o | | CAPA,CHIP CERAMIC M/L T.C F/S | 100P 50V J NP0 2.0*1.25 R/TP | |
| | | C315 | 0CE1064F638 | o | o | | | o | | CAPACITOR,ELECTROLYTIC | 10M SRA 16V M FM5 TP(5) | |
| | | C316 | 0CH4102K406 | o | o | | | o | | CHIP CAPA CERAMIC M/L T.C F/S | 1000P 50V J SL 2.0X1.2 R/TP | |
| | | C317 | 0CH4101K416 | o | o | | | o | | CAPA,CHIP CERAMIC M/L T.C F/S | 100P 50V J NP0 2.0*1.25 R/TP | |
| | | C318 | 0CE1064F638 | o | o | | | o | | CAPACITOR,ELECTROLYTIC | 10M SRA 16V M FM5 TP(5) | |
| | | C319 | 0CH1392K566 | o | o | | | o | | CAPACITOR,FIXED CERAMIC(Temp.c | 3900P 50V K X7R 2.0X1.2 R/TP | |
| | | C320 | 0CE1064F638 | o | o | | | o | | CAPACITOR,ELECTROLYTIC | 10M SRA 16V M FM5 TP(5) | |
| | | C321 | 0CE1064F638 | o | o | | | o | | CAPACITOR,ELECTROLYTIC | 10M SRA 16V M FM5 TP(5) | |
| | | C322 | 0CE1064F638 | o | o | | | o | | CAPACITOR,ELECTROLYTIC | 10M SRA 16V M FM5 TP(5) | |
| | | C323 | 0CE1064F638 | o | o | | | o | | CAPACITOR,ELECTROLYTIC | 10M SRA 16V M FM5 TP(5) | |
| | | C324 | 0CH1392K566 | o | o | | | o | | CAPACITOR,FIXED CERAMIC(Temp.c | 3900P 50V K X7R 2.0X1.2 R/TP | |
| | | C325 | 0CE1064F638 | o | o | | | o | | CAPACITOR,ELECTROLYTIC | 10M SRA 16V M FM5 TP(5) | |
| | | C326 | 0CE1064F638 | o | o | | | o | | CAPACITOR,ELECTROLYTIC | 10M SRA 16V M FM5 TP(5) | |
| | | C327 | 0CH1392K566 | o | o | | | o | | CAPACITOR,FIXED CERAMIC(Temp.c | 3900P 50V K X7R 2.0X1.2 R/TP | |
| | | C328 | 0CH4101K416 | o | o | | | o | | CAPA,CHIP CERAMIC M/L T.C F/S | 100P 50V J NP0 2.0*1.25 R/TP | |
| | | C329 | 0CH4102K406 | o | o | | | o | | CHIP CAPA CERAMIC M/L T.C F/S | 1000P 50V J SL 2.0X1.2 R/TP | |
| | | C330 | 0CH4101K416 | o | o | | | o | | CAPA,CHIP CERAMIC M/L T.C F/S | 100P 50V J NP0 2.0*1.25 R/TP | |
| | | C331 | 0CH4102K406 | o | o | | | o | | CHIP CAPA CERAMIC M/L T.C F/S | 1000P 50V J SL 2.0X1.2 R/TP | |
| | | C332 | 0CE1064F638 | o | o | | | o | | CAPACITOR,ELECTROLYTIC | 10M SRA 16V M FM5 TP(5) | |

| S | AL | LOCA.NO | PART NO(LG) | A | B | C | D | E | F | DESCRIPTION | SPECIFICATION | REMARKS |
|---|----|---------|-------------|---|---|---|---|---|---|--------------------------------|--------------------------------|---------|
| | | C333 | 0CE1064F638 | O | O | | | O | | CAPACITOR,ELECTROLYTIC | 10M SRA 16V M FM5 TP(5) | |
| | | C334 | 0CE1064F638 | O | O | | | O | | CAPACITOR,ELECTROLYTIC | 10M SRA 16V M FM5 TP(5) | |
| | | C335 | 0CH4101K416 | O | O | | | O | | CAPA,CHIP CERAMIC M/L T.C F/S | 100P 50V J NP0 2.0*1.25 R/TP | |
| | | C336 | 0CH4102K406 | O | O | | | O | | CHIP CAPA CERAMIC M/L T.C F/S | 1000P 50V J SL 2.0X1.2 R/TP | |
| | | C337 | 0CH1392K566 | O | O | | | O | | CAPACITOR,FIXED CERAMIC(Temp.c | 3900P 50V K X7R 2.0X1.2 R/TP | |
| | | C338 | 0CE1064F638 | O | O | | | O | | CAPACITOR,ELECTROLYTIC | 10M SRA 16V M FM5 TP(5) | |
| | | C339 | 0CE1064F638 | O | O | | | O | | CAPACITOR,ELECTROLYTIC | 10M SRA 16V M FM5 TP(5) | |
| | | C340 | 0CH1392K566 | O | O | | | O | | CAPACITOR,FIXED CERAMIC(Temp.c | 3900P 50V K X7R 2.0X1.2 R/TP | |
| | | C341 | 0CE2264F638 | O | O | | | O | | CAPACITOR,ELECTROLYTIC | 22M SRA 16V M FM5 TP(5) | |
| | | C342 | 0CE2264F638 | O | O | | | O | | CAPACITOR,ELECTROLYTIC | 22M SRA 16V M FM5 TP(5) | |
| | | C502 | 0CH1103K562 | | | O | O | O | O | CAPACITOR,FIXED CERAMIC(Temp.c | 0.01UF 50V 10% X7R(X) 1608 R/T | |
| | | C502 | 0CH1103K562 | O | O | | | | | CAPACITOR,FIXED CERAMIC(Temp.c | 0.01UF 50V 10% X7R(X) 1608 R/T | |
| | | C503 | 0CH1103K562 | | | O | O | O | O | CAPACITOR,FIXED CERAMIC(Temp.c | 0.01UF 50V 10% X7R(X) 1608 R/T | |
| | | C503 | 0CH1103K562 | O | O | | | | | CAPACITOR,FIXED CERAMIC(Temp.c | 0.01UF 50V 10% X7R(X) 1608 R/T | |
| | | C504 | 0CH1103K562 | | | O | O | O | O | CAPACITOR,FIXED CERAMIC(Temp.c | 0.01UF 50V 10% X7R(X) 1608 R/T | |
| | | C504 | 0CH1103K562 | O | O | | | | | CAPACITOR,FIXED CERAMIC(Temp.c | 0.01UF 50V 10% X7R(X) 1608 R/T | |
| | | C505 | 0CH1103K562 | | | O | O | O | O | CAPACITOR,FIXED CERAMIC(Temp.c | 0.01UF 50V 10% X7R(X) 1608 R/T | |
| | | C505 | 0CH1103K562 | O | O | | | | | CAPACITOR,FIXED CERAMIC(Temp.c | 0.01UF 50V 10% X7R(X) 1608 R/T | |
| | | C506 | 0CH4101K412 | | | O | O | O | O | CHIP CAPA CERAMIC M/L T.C F/S | 100P 50V J COG 1.6X0.8 R/TP | |
| | | C506 | 0CH4101K412 | O | O | | | | | CHIP CAPA CERAMIC M/L T.C F/S | 100P 50V J COG 1.6X0.8 R/TP | |
| | | C507 | 0CH1103K562 | | | O | O | O | O | CAPACITOR,FIXED CERAMIC(Temp.c | 0.01UF 50V 10% X7R(X) 1608 R/T | |
| | | C507 | 0CH1103K562 | O | O | | | | | CAPACITOR,FIXED CERAMIC(Temp.c | 0.01UF 50V 10% X7R(X) 1608 R/T | |
| | | C508 | 0CH1225F944 | | | O | O | O | O | CAPACITOR,FIXED CERAMIC(Temp.c | 2.2UF 16V 80%,-20% Y5V(F) 3216 | |
| | | C508 | 0CH1225F944 | O | O | | | | | CAPACITOR,FIXED CERAMIC(Temp.c | 2.2UF 16V 80%,-20% Y5V(F) 3216 | |
| | | C509 | 0CH1104K942 | | | O | O | O | O | CAPACITOR,CHIP[CERAMIC M/L HD | 0.1UF 50V Z Y5V(F) 1508 R/TP | |
| | | C509 | 0CH1104K942 | O | O | | | | | CAPACITOR,CHIP[CERAMIC M/L HD | 0.1UF 50V Z Y5V(F) 1508 R/TP | |
| | | C510 | 0CH4101K412 | | | O | O | O | O | CHIP CAPA CERAMIC M/L T.C F/S | 100P 50V J COG 1.6X0.8 R/TP | |
| | | C510 | 0CH4101K412 | O | O | | | | | CHIP CAPA CERAMIC M/L T.C F/S | 100P 50V J COG 1.6X0.8 R/TP | |
| | | C511 | 0CE4764F638 | O | O | O | O | O | O | CAPACITOR,ELECTROLYTIC | 47M SRA/SS 16V M FM5 TP(5) | |
| | | C513 | 0CH1104K942 | | | O | O | O | O | CAPACITOR,CHIP[CERAMIC M/L HD | 0.1UF 50V Z Y5V(F) 1508 R/TP | |
| | | C513 | 0CH1104K942 | O | O | | | | | CAPACITOR,CHIP[CERAMIC M/L HD | 0.1UF 50V Z Y5V(F) 1508 R/TP | |
| | | C514 | 0CH1104K942 | | | O | O | O | O | CAPACITOR,CHIP[CERAMIC M/L HD | 0.1UF 50V Z Y5V(F) 1508 R/TP | |
| | | C514 | 0CH1104K942 | O | O | | | | | CAPACITOR,CHIP[CERAMIC M/L HD | 0.1UF 50V Z Y5V(F) 1508 R/TP | |
| | | C515 | 0CH1104K942 | | | O | O | O | O | CAPACITOR,CHIP[CERAMIC M/L HD | 0.1UF 50V Z Y5V(F) 1508 R/TP | |
| | | C515 | 0CH1104K942 | O | O | | | | | CAPACITOR,CHIP[CERAMIC M/L HD | 0.1UF 50V Z Y5V(F) 1508 R/TP | |
| | | C516 | 0CH1225F944 | | | O | O | O | O | CAPACITOR,FIXED CERAMIC(Temp.c | 2.2UF 16V 80%,-20% Y5V(F) 3216 | |
| | | C516 | 0CH1225F944 | O | O | | | | | CAPACITOR,FIXED CERAMIC(Temp.c | 2.2UF 16V 80%,-20% Y5V(F) 3216 | |
| | | C517 | 0CH1104K942 | | | O | O | O | O | CAPACITOR,CHIP[CERAMIC M/L HD | 0.1UF 50V Z Y5V(F) 1508 R/TP | |
| | | C517 | 0CH1104K942 | O | O | | | | | CAPACITOR,CHIP[CERAMIC M/L HD | 0.1UF 50V Z Y5V(F) 1508 R/TP | |
| | | C518 | 0CH1104K942 | | | O | O | O | O | CAPACITOR,CHIP[CERAMIC M/L HD | 0.1UF 50V Z Y5V(F) 1508 R/TP | |
| | | C518 | 0CH1104K942 | O | O | | | | | CAPACITOR,CHIP[CERAMIC M/L HD | 0.1UF 50V Z Y5V(F) 1508 R/TP | |
| | | C519 | 0CH1104K942 | | | O | O | O | O | CAPACITOR,CHIP[CERAMIC M/L HD | 0.1UF 50V Z Y5V(F) 1508 R/TP | |
| | | C519 | 0CH1104K942 | O | O | | | | | CAPACITOR,CHIP[CERAMIC M/L HD | 0.1UF 50V Z Y5V(F) 1508 R/TP | |
| | | C520 | 0CH1104K942 | | | O | O | O | O | CAPACITOR,CHIP[CERAMIC M/L HD | 0.1UF 50V Z Y5V(F) 1508 R/TP | |
| | | C520 | 0CH1104K942 | O | O | | | | | CAPACITOR,CHIP[CERAMIC M/L HD | 0.1UF 50V Z Y5V(F) 1508 R/TP | |
| | | C521 | 0CH1104K942 | | | O | O | O | O | CAPACITOR,CHIP[CERAMIC M/L HD | 0.1UF 50V Z Y5V(F) 1508 R/TP | |
| | | C521 | 0CH1104K942 | O | O | | | | | CAPACITOR,CHIP[CERAMIC M/L HD | 0.1UF 50V Z Y5V(F) 1508 R/TP | |
| | | C522 | 0CH1104K942 | | | O | O | O | O | CAPACITOR,CHIP[CERAMIC M/L HD | 0.1UF 50V Z Y5V(F) 1508 R/TP | |
| | | C522 | 0CH1104K942 | O | O | | | | | CAPACITOR,CHIP[CERAMIC M/L HD | 0.1UF 50V Z Y5V(F) 1508 R/TP | |
| | | C523 | 0CH1104K942 | | | O | O | O | O | CAPACITOR,CHIP[CERAMIC M/L HD | 0.1UF 50V Z Y5V(F) 1508 R/TP | |
| | | C523 | 0CH1104K942 | O | O | | | | | CAPACITOR,CHIP[CERAMIC M/L HD | 0.1UF 50V Z Y5V(F) 1508 R/TP | |
| | | C524 | 0CH1104K942 | | | O | O | O | O | CAPACITOR,CHIP[CERAMIC M/L HD | 0.1UF 50V Z Y5V(F) 1508 R/TP | |
| | | C524 | 0CH1104K942 | O | O | | | | | CAPACITOR,CHIP[CERAMIC M/L HD | 0.1UF 50V Z Y5V(F) 1508 R/TP | |
| | | C525 | 0CH1104K942 | | | O | O | O | O | CAPACITOR,CHIP[CERAMIC M/L HD | 0.1UF 50V Z Y5V(F) 1508 R/TP | |
| | | C525 | 0CH1104K942 | O | O | | | | | CAPACITOR,CHIP[CERAMIC M/L HD | 0.1UF 50V Z Y5V(F) 1508 R/TP | |
| | | C526 | 0CH1104K942 | | | O | O | O | O | CAPACITOR,CHIP[CERAMIC M/L HD | 0.1UF 50V Z Y5V(F) 1508 R/TP | |
| | | C526 | 0CH1104K942 | O | O | | | | | CAPACITOR,CHIP[CERAMIC M/L HD | 0.1UF 50V Z Y5V(F) 1508 R/TP | |
| | | C527 | 0CH1104K942 | | | O | O | O | O | CAPACITOR,CHIP[CERAMIC M/L HD | 0.1UF 50V Z Y5V(F) 1508 R/TP | |
| | | C527 | 0CH1104K942 | O | O | | | | | CAPACITOR,CHIP[CERAMIC M/L HD | 0.1UF 50V Z Y5V(F) 1508 R/TP | |

| S | AL | LOCA.NO | PART NO(LG) | A | B | C | D | E | F | DESCRIPTION | SPECIFICATION | REMARKS |
|---|----|---------|-------------|---|---|---|---|---|---|--------------------------------|--------------------------------|---------|
| | | C528 | 0CE4764F638 | O | O | O | O | O | O | CAPACITOR,ELECTROLYTIC | 47M SRA/SS 16V M FM5 TP(5) | |
| | | C530 | 0CH1104K942 | | | O | O | O | O | CAPACITOR,CHIP[CERAMIC M/L HD | 0.1UF 50V Z Y5V(F) 1508 R/TP | |
| | | C530 | 0CH1104K942 | O | O | | | | | CAPACITOR,CHIP[CERAMIC M/L HD | 0.1UF 50V Z Y5V(F) 1508 R/TP | |
| | | C531 | 0CH1104K942 | | | O | O | O | O | CAPACITOR,CHIP[CERAMIC M/L HD | 0.1UF 50V Z Y5V(F) 1508 R/TP | |
| | | C531 | 0CH1104K942 | O | O | | | | | CAPACITOR,CHIP[CERAMIC M/L HD | 0.1UF 50V Z Y5V(F) 1508 R/TP | |
| | | C532 | 0CH1104K942 | | | O | O | O | O | CAPACITOR,CHIP[CERAMIC M/L HD | 0.1UF 50V Z Y5V(F) 1508 R/TP | |
| | | C532 | 0CH1104K942 | O | O | | | | | CAPACITOR,CHIP[CERAMIC M/L HD | 0.1UF 50V Z Y5V(F) 1508 R/TP | |
| | | C533 | 0CH4180K412 | | | O | O | O | O | CAPACITOR,CHIP[CERAMIC M/L TC | 18P 50V J COG 1.6X0.8 R/TP | |
| | | C533 | 0CH4180K412 | O | O | | | | | CAPACITOR,CHIP[CERAMIC M/L TC | 18P 50V J COG 1.6X0.8 R/TP | |
| | | C534 | 0CH4330K412 | | | O | O | O | O | CAPACITOR,CHIP[CERAMIC M/L TC | 33P 50V J COG 1.6X0.8 R/TP | |
| | | C534 | 0CH4330K412 | O | O | | | | | CAPACITOR,CHIP[CERAMIC M/L TC | 33P 50V J COG 1.6X0.8 R/TP | |
| | | C535 | 0CH1104K942 | | | O | O | O | O | CAPACITOR,CHIP[CERAMIC M/L HD | 0.1UF 50V Z Y5V(F) 1508 R/TP | |
| | | C535 | 0CH1104K942 | O | O | | | | | CAPACITOR,CHIP[CERAMIC M/L HD | 0.1UF 50V Z Y5V(F) 1508 R/TP | |
| | | C536 | 0CH1102K562 | | | O | O | O | O | CAPACITOR,FIXED CERAMIC(Temp.c | 1000PF 50V 10% X7R(X) 1608 R/T | |
| | | C536 | 0CH1102K562 | O | O | | | | | CAPACITOR,FIXED CERAMIC(Temp.c | 1000PF 50V 10% X7R(X) 1608 R/T | |
| | | C537 | 0CH1102K562 | | | O | O | O | O | CAPACITOR,FIXED CERAMIC(Temp.c | 1000PF 50V 10% X7R(X) 1608 R/T | |
| | | C537 | 0CH1102K562 | O | O | | | | | CAPACITOR,FIXED CERAMIC(Temp.c | 1000PF 50V 10% X7R(X) 1608 R/T | |
| | | C538 | 0CH1102K562 | | | O | O | O | O | CAPACITOR,FIXED CERAMIC(Temp.c | 1000PF 50V 10% X7R(X) 1608 R/T | |
| | | C538 | 0CH1102K562 | O | O | | | | | CAPACITOR,FIXED CERAMIC(Temp.c | 1000PF 50V 10% X7R(X) 1608 R/T | |
| | | C539 | 0CH1104K942 | | | O | O | O | O | CAPACITOR,CHIP[CERAMIC M/L HD | 0.1UF 50V Z Y5V(F) 1508 R/TP | |
| | | C539 | 0CH1104K942 | O | O | | | | | CAPACITOR,CHIP[CERAMIC M/L HD | 0.1UF 50V Z Y5V(F) 1508 R/TP | |
| | | C540 | 0CH1104K942 | | | O | O | O | O | CAPACITOR,CHIP[CERAMIC M/L HD | 0.1UF 50V Z Y5V(F) 1508 R/TP | |
| | | C540 | 0CH1104K942 | O | O | | | | | CAPACITOR,CHIP[CERAMIC M/L HD | 0.1UF 50V Z Y5V(F) 1508 R/TP | |
| | | C541 | 0CE1064F638 | O | O | O | O | O | O | CAPACITOR,ELECTROLYTIC | 10M SRA 16V M FM5 TP(5) | |
| | | C542 | 0CH1104K942 | | | O | O | O | O | CAPACITOR,CHIP[CERAMIC M/L HD | 0.1UF 50V Z Y5V(F) 1508 R/TP | |
| | | C542 | 0CH1104K942 | O | O | | | | | CAPACITOR,CHIP[CERAMIC M/L HD | 0.1UF 50V Z Y5V(F) 1508 R/TP | |
| | | C543 | 0CE1064F638 | O | O | O | O | O | O | CAPACITOR,ELECTROLYTIC | 10M SRA 16V M FM5 TP(5) | |
| | | C544 | 0CH1104K942 | | | O | O | O | O | CAPACITOR,CHIP[CERAMIC M/L HD | 0.1UF 50V Z Y5V(F) 1508 R/TP | |
| | | C544 | 0CH1104K942 | O | O | | | | | CAPACITOR,CHIP[CERAMIC M/L HD | 0.1UF 50V Z Y5V(F) 1508 R/TP | |
| | | C545 | 0CE1064F638 | O | O | O | O | O | O | CAPACITOR,ELECTROLYTIC | 10M SRA 16V M FM5 TP(5) | |
| | | C554 | 0CH1104K942 | | | O | O | O | O | CAPACITOR,CHIP[CERAMIC M/L HD | 0.1UF 50V Z Y5V(F) 1508 R/TP | |
| | | C554 | 0CH1104K942 | O | O | | | | | CAPACITOR,CHIP[CERAMIC M/L HD | 0.1UF 50V Z Y5V(F) 1508 R/TP | |
| | | C556 | 0CH1104K942 | | | O | O | O | O | CAPACITOR,CHIP[CERAMIC M/L HD | 0.1UF 50V Z Y5V(F) 1508 R/TP | |
| | | C556 | 0CH1104K942 | O | O | | | | | CAPACITOR,CHIP[CERAMIC M/L HD | 0.1UF 50V Z Y5V(F) 1508 R/TP | |
| | | C557 | 0CH1104K942 | | | O | O | O | O | CAPACITOR,CHIP[CERAMIC M/L HD | 0.1UF 50V Z Y5V(F) 1508 R/TP | |
| | | C557 | 0CH1104K942 | O | O | | | | | CAPACITOR,CHIP[CERAMIC M/L HD | 0.1UF 50V Z Y5V(F) 1508 R/TP | |
| | | C558 | 0CH1104K942 | | | O | O | O | O | CAPACITOR,CHIP[CERAMIC M/L HD | 0.1UF 50V Z Y5V(F) 1508 R/TP | |
| | | C558 | 0CH1104K942 | O | O | | | | | CAPACITOR,CHIP[CERAMIC M/L HD | 0.1UF 50V Z Y5V(F) 1508 R/TP | |
| | | C559 | 0CH1104K942 | | | O | O | O | O | CAPACITOR,CHIP[CERAMIC M/L HD | 0.1UF 50V Z Y5V(F) 1508 R/TP | |
| | | C559 | 0CH1104K942 | O | O | | | | | CAPACITOR,CHIP[CERAMIC M/L HD | 0.1UF 50V Z Y5V(F) 1508 R/TP | |
| | | C560 | 0CH1104K942 | | | O | O | O | O | CAPACITOR,CHIP[CERAMIC M/L HD | 0.1UF 50V Z Y5V(F) 1508 R/TP | |
| | | C560 | 0CH1104K942 | O | O | | | | | CAPACITOR,CHIP[CERAMIC M/L HD | 0.1UF 50V Z Y5V(F) 1508 R/TP | |
| | | C561 | 0CH1104K942 | | | O | O | O | O | CAPACITOR,CHIP[CERAMIC M/L HD | 0.1UF 50V Z Y5V(F) 1508 R/TP | |
| | | C561 | 0CH1104K942 | O | O | | | | | CAPACITOR,CHIP[CERAMIC M/L HD | 0.1UF 50V Z Y5V(F) 1508 R/TP | |
| | | C563 | 0CE2274C638 | O | O | O | O | O | O | CAPACITOR,ELECTROLYTIC | 220M SRA 6.3V M FM5 TP(5) | |
| | | C564 | 0CE2274C638 | O | O | O | O | O | O | CAPACITOR,ELECTROLYTIC | 220M SRA 6.3V M FM5 TP(5) | |
| | | C565 | 0CH4221K412 | | | | | O | O | CAPACITOR,CHIP[CERAMIC M/L TC | 220P 50V J COG 1.6X0.8 R/TP | |
| | | C566 | 0CH4221K412 | | | | | O | O | CAPACITOR,CHIP[CERAMIC M/L TC | 220P 50V J COG 1.6X0.8 R/TP | |
| | | C567 | 0CH4221K412 | | | O | O | O | O | CAPACITOR,CHIP[CERAMIC M/L TC | 220P 50V J COG 1.6X0.8 R/TP | |
| | | C567 | 0CH4221K412 | O | O | | | | | CAPACITOR,CHIP[CERAMIC M/L TC | 220P 50V J COG 1.6X0.8 R/TP | |
| | | C568 | 0CH4221K412 | | | O | O | O | O | CAPACITOR,CHIP[CERAMIC M/L TC | 220P 50V J COG 1.6X0.8 R/TP | |
| | | C568 | 0CH4221K412 | O | O | | | | | CAPACITOR,CHIP[CERAMIC M/L TC | 220P 50V J COG 1.6X0.8 R/TP | |
| | | C569 | 0CH4221K412 | | | O | O | O | O | CAPACITOR,CHIP[CERAMIC M/L TC | 220P 50V J COG 1.6X0.8 R/TP | |
| | | C569 | 0CH4221K412 | O | O | | | | | CAPACITOR,CHIP[CERAMIC M/L TC | 220P 50V J COG 1.6X0.8 R/TP | |
| | | C575 | 0CH1104K942 | | | O | O | O | O | CAPACITOR,CHIP[CERAMIC M/L HD | 0.1UF 50V Z Y5V(F) 1508 R/TP | |
| | | C575 | 0CH1104K942 | O | O | | | | | CAPACITOR,CHIP[CERAMIC M/L HD | 0.1UF 50V Z Y5V(F) 1508 R/TP | |
| | | C576 | 0CH1104K942 | | | O | O | O | O | CAPACITOR,CHIP[CERAMIC M/L HD | 0.1UF 50V Z Y5V(F) 1508 R/TP | |
| | | C576 | 0CH1104K942 | O | O | | | | | CAPACITOR,CHIP[CERAMIC M/L HD | 0.1UF 50V Z Y5V(F) 1508 R/TP | |
| | | C577 | 0CH1104K942 | | | O | O | O | O | CAPACITOR,CHIP[CERAMIC M/L HD | 0.1UF 50V Z Y5V(F) 1508 R/TP | |

| S | AL | LOCA.NO | PART NO(LG) | A | B | C | D | E | F | DESCRIPTION | SPECIFICATION | REMARKS |
|---|----|---------|-------------|---|---|---|---|---|---|--------------------------------|--------------------------------|---------|
| | | C577 | 0CH1104K942 | O | O | | | | | CAPACITOR,CHIP[CERAMIC M/L HD | 0.1UF 50V Z Y5V(F) 1508 R/TP | |
| | | C578 | 0CH1104K942 | | | O | O | O | O | CAPACITOR,CHIP[CERAMIC M/L HD | 0.1UF 50V Z Y5V(F) 1508 R/TP | |
| | | C578 | 0CH1104K942 | O | O | | | | | CAPACITOR,CHIP[CERAMIC M/L HD | 0.1UF 50V Z Y5V(F) 1508 R/TP | |
| | | C579 | 0CH1104K942 | | | O | O | O | O | CAPACITOR,CHIP[CERAMIC M/L HD | 0.1UF 50V Z Y5V(F) 1508 R/TP | |
| | | C579 | 0CH1104K942 | O | O | | | | | CAPACITOR,CHIP[CERAMIC M/L HD | 0.1UF 50V Z Y5V(F) 1508 R/TP | |
| | | C580 | 0CH1104K942 | | | O | O | O | O | CAPACITOR,CHIP[CERAMIC M/L HD | 0.1UF 50V Z Y5V(F) 1508 R/TP | |
| | | C580 | 0CH1104K942 | O | O | | | | | CAPACITOR,CHIP[CERAMIC M/L HD | 0.1UF 50V Z Y5V(F) 1508 R/TP | |
| | | C581 | 0CH1104K942 | | | O | O | O | O | CAPACITOR,CHIP[CERAMIC M/L HD | 0.1UF 50V Z Y5V(F) 1508 R/TP | |
| | | C581 | 0CH1104K942 | O | O | | | | | CAPACITOR,CHIP[CERAMIC M/L HD | 0.1UF 50V Z Y5V(F) 1508 R/TP | |
| | | C582 | 0CH1104K942 | | | O | O | O | O | CAPACITOR,CHIP[CERAMIC M/L HD | 0.1UF 50V Z Y5V(F) 1508 R/TP | |
| | | C582 | 0CH1104K942 | O | O | | | | | CAPACITOR,CHIP[CERAMIC M/L HD | 0.1UF 50V Z Y5V(F) 1508 R/TP | |
| | | C583 | 0CE2274C638 | O | O | O | O | O | O | CAPACITOR,ELECTROLYTIC | 220M SRA 6.3V M FM5 TP(5) | |
| | | C589 | 0CH1104K942 | | | O | O | O | O | CAPACITOR,CHIP[CERAMIC M/L HD | 0.1UF 50V Z Y5V(F) 1508 R/TP | |
| | | C589 | 0CH1104K942 | O | O | | | | | CAPACITOR,CHIP[CERAMIC M/L HD | 0.1UF 50V Z Y5V(F) 1508 R/TP | |
| | | C592 | 0CH1104K942 | | | O | O | O | O | CAPACITOR,CHIP[CERAMIC M/L HD | 0.1UF 50V Z Y5V(F) 1508 R/TP | |
| | | C592 | 0CH1104K942 | O | O | | | | | CAPACITOR,CHIP[CERAMIC M/L HD | 0.1UF 50V Z Y5V(F) 1508 R/TP | |
| | | C596 | 0CH1104K942 | | | O | O | O | O | CAPACITOR,CHIP[CERAMIC M/L HD | 0.1UF 50V Z Y5V(F) 1508 R/TP | |
| | | C596 | 0CH1104K942 | O | O | | | | | CAPACITOR,CHIP[CERAMIC M/L HD | 0.1UF 50V Z Y5V(F) 1508 R/TP | |
| | | C597 | 0CH4470K412 | | | O | O | O | O | CAPA,CHIP CERAMIC M/L T.C F/S | 47P 50V J COG 1.6X0.8 R/TP | |
| | | C597 | 0CH4470K412 | O | O | | | | | CAPA,CHIP CERAMIC M/L T.C F/S | 47P 50V J COG 1.6X0.8 R/TP | |
| | | C5A1 | 0CE1064F638 | O | O | O | O | O | O | CAPACITOR,ELECTROLYTIC | 10M SRA 16V M FM5 TP(5) | |
| | | C5A2 | 0CH1104K942 | | | O | O | O | O | CAPACITOR,CHIP[CERAMIC M/L HD | 0.1UF 50V Z Y5V(F) 1508 R/TP | |
| | | C5A2 | 0CH1104K942 | O | O | | | | | CAPACITOR,CHIP[CERAMIC M/L HD | 0.1UF 50V Z Y5V(F) 1508 R/TP | |
| | | C5A3 | 0CH4221K412 | | | O | O | O | O | CAPACITOR,CHIP[CERAMIC M/L TC | 220P 50V J COG 1.6X0.8 R/TP | |
| | | C5A3 | 0CH4221K412 | O | O | | | | | CAPACITOR,CHIP[CERAMIC M/L TC | 220P 50V J COG 1.6X0.8 R/TP | |
| | | C5A4 | 0CH1104K942 | | | O | O | O | O | CAPACITOR,CHIP[CERAMIC M/L HD | 0.1UF 50V Z Y5V(F) 1508 R/TP | |
| | | C5A4 | 0CH1104K942 | O | O | | | | | CAPACITOR,CHIP[CERAMIC M/L HD | 0.1UF 50V Z Y5V(F) 1508 R/TP | |
| | | C5A5 | 0CH1104K942 | | | O | O | O | O | CAPACITOR,CHIP[CERAMIC M/L HD | 0.1UF 50V Z Y5V(F) 1508 R/TP | |
| | | C5A5 | 0CH1104K942 | O | O | | | | | CAPACITOR,CHIP[CERAMIC M/L HD | 0.1UF 50V Z Y5V(F) 1508 R/TP | |
| | | C5A6 | 0CH1104K942 | | | O | O | O | O | CAPACITOR,CHIP[CERAMIC M/L HD | 0.1UF 50V Z Y5V(F) 1508 R/TP | |
| | | C5A6 | 0CH1104K942 | O | O | | | | | CAPACITOR,CHIP[CERAMIC M/L HD | 0.1UF 50V Z Y5V(F) 1508 R/TP | |
| | | C5A7 | 0CH1104K942 | | | O | O | O | O | CAPACITOR,CHIP[CERAMIC M/L HD | 0.1UF 50V Z Y5V(F) 1508 R/TP | |
| | | C5A7 | 0CH1104K942 | O | O | | | | | CAPACITOR,CHIP[CERAMIC M/L HD | 0.1UF 50V Z Y5V(F) 1508 R/TP | |
| | | C5A8 | 0CH1104K942 | | | O | O | O | O | CAPACITOR,CHIP[CERAMIC M/L HD | 0.1UF 50V Z Y5V(F) 1508 R/TP | |
| | | C5A8 | 0CH1104K942 | O | O | | | | | CAPACITOR,CHIP[CERAMIC M/L HD | 0.1UF 50V Z Y5V(F) 1508 R/TP | |
| | | C5A9 | 0CH1104K942 | | | | | O | O | CAPACITOR,CHIP[CERAMIC M/L HD | 0.1UF 50V Z Y5V(F) 1508 R/TP | |
| | | C5D1 | 0CE2274C638 | O | O | O | O | O | O | CAPACITOR,ELECTROLYTIC | 220M SRA 6.3V M FM5 TP(5) | |
| | | C600 | 0CH1104K942 | O | O | | | | | CAPACITOR,CHIP[CERAMIC M/L HD | 0.1UF 50V Z Y5V(F) 1508 R/TP | |
| | | C600 | 0CH1104K942 | | | O | O | O | O | CAPACITOR,CHIP[CERAMIC M/L HD | 0.1UF 50V Z Y5V(F) 1508 R/TP | |
| | | C601 | 0CE4764F638 | O | O | O | O | O | O | CAPACITOR,ELECTROLYTIC | 47M SRA/SS 16V M FM5 TP(5) | |
| | | C603 | 0CH1104K942 | O | O | | | | | CAPACITOR,CHIP[CERAMIC M/L HD | 0.1UF 50V Z Y5V(F) 1508 R/TP | |
| | | C603 | 0CH1104K942 | | | O | O | O | O | CAPACITOR,CHIP[CERAMIC M/L HD | 0.1UF 50V Z Y5V(F) 1508 R/TP | |
| | | C604 | 0CH1105D942 | O | O | | | | | CAPACITOR,CHIP[CERAMIC M/L HD | 1UF 10V Z Y5V(F) 1508 R/TP | |
| | | C604 | 0CH1105D942 | | | O | O | O | O | CAPACITOR,CHIP[CERAMIC M/L HD | 1UF 10V Z Y5V(F) 1508 R/TP | |
| | | C605 | 0CH1105D942 | O | O | | | | | CAPACITOR,CHIP[CERAMIC M/L HD | 1UF 10V Z Y5V(F) 1508 R/TP | |
| | | C605 | 0CH1105D942 | | | O | O | O | O | CAPACITOR,CHIP[CERAMIC M/L HD | 1UF 10V Z Y5V(F) 1508 R/TP | |
| | | C606 | 0CH1104K942 | O | O | | | | | CAPACITOR,CHIP[CERAMIC M/L HD | 0.1UF 50V Z Y5V(F) 1508 R/TP | |
| | | C606 | 0CH1104K942 | | | O | O | O | O | CAPACITOR,CHIP[CERAMIC M/L HD | 0.1UF 50V Z Y5V(F) 1508 R/TP | |
| | | C607 | 0CE4764F638 | O | O | O | O | O | O | CAPACITOR,ELECTROLYTIC | 47M SRA/SS 16V M FM5 TP(5) | |
| | | C608 | 0CE2264F638 | O | O | O | O | O | O | CAPACITOR,ELECTROLYTIC | 22M SRA 16V M FM5 TP(5) | |
| | | C609 | 0CH1102K562 | O | O | | | | | CAPACITOR,FIXED CERAMIC(Temp.c | 1000PF 50V 10% X7R(X) 1608 R/T | |
| | | C609 | 0CH1102K562 | | | O | O | O | O | CAPACITOR,FIXED CERAMIC(Temp.c | 1000PF 50V 10% X7R(X) 1608 R/T | |
| | | C610 | 0CH4271K412 | O | O | | | | | CAPACITOR,FIXED CERAMIC(HIGH D | 270PF 50V 5% NP0 1608 R/TP | |
| | | C610 | 0CH4271K412 | | | O | O | O | O | CAPACITOR,FIXED CERAMIC(HIGH D | 270PF 50V 5% NP0 1608 R/TP | |
| | | C611 | 0CH4271K412 | O | O | | | | | CAPACITOR,FIXED CERAMIC(HIGH D | 270PF 50V 5% NP0 1608 R/TP | |
| | | C611 | 0CH4271K412 | | | O | O | O | O | CAPACITOR,FIXED CERAMIC(HIGH D | 270PF 50V 5% NP0 1608 R/TP | |
| | | C612 | 0CE4764F638 | O | O | O | O | O | O | CAPACITOR,ELECTROLYTIC | 47M SRA/SS 16V M FM5 TP(5) | |
| | | C613 | 0CH4271K412 | O | O | | | | | CAPACITOR,FIXED CERAMIC(HIGH D | 270PF 50V 5% NP0 1608 R/TP | |
| | | C613 | 0CH4271K412 | | | O | O | O | O | CAPACITOR,FIXED CERAMIC(HIGH D | 270PF 50V 5% NP0 1608 R/TP | |

| S | AL | LOCA.NO | PART NO(LG) | A | B | C | D | E | F | DESCRIPTION | SPECIFICATION | REMARKS |
|---|----|---------|-------------|---|---|---|---|---|---|--------------------------------|--------------------------------|---------|
| | | C614 | 0CH4271K412 | O | O | | | | O | CAPACITOR,FIXED CERAMIC(HIGH D | 270PF 50V 5% NP0 1608 R/TP | |
| | | C614 | 0CH4271K412 | | | O | O | O | | CAPACITOR,FIXED CERAMIC(HIGH D | 270PF 50V 5% NP0 1608 R/TP | |
| | | C615 | 0CH1102K562 | O | O | | | | O | CAPACITOR,FIXED CERAMIC(Temp.c | 1000PF 50V 10% X7R(X) 1608 R/T | |
| | | C615 | 0CH1102K562 | | | O | O | O | | CAPACITOR,FIXED CERAMIC(Temp.c | 1000PF 50V 10% X7R(X) 1608 R/T | |
| | | C616 | 0CE4764F638 | O | O | O | O | O | O | CAPACITOR,ELECTROLYTIC | 47M SRA/SS 16V M FM5 TP(5) | |
| | | C617 | 0CE4764F638 | O | O | O | O | O | O | CAPACITOR,ELECTROLYTIC | 47M SRA/SS 16V M FM5 TP(5) | |
| | | C618 | 0CH1104K942 | O | O | | | | O | CAPACITOR,CHIP[CERAMIC M/L HD | 0.1UF 50V Z Y5V(F) 1508 R/TP | |
| | | C618 | 0CH1104K942 | | | O | O | O | | CAPACITOR,CHIP[CERAMIC M/L HD | 0.1UF 50V Z Y5V(F) 1508 R/TP | |
| | | C619 | 0CE1074F638 | O | O | O | O | O | O | CAPACITOR,ELECTROLYTIC | 100U SRA 16V M FM5 TP(5) | |
| | | C620 | 0CE4764F638 | O | O | O | O | O | O | CAPACITOR,ELECTROLYTIC | 47M SRA/SS 16V M FM5 TP(5) | |
| | | C621 | 0CE2274F638 | O | O | O | O | O | O | CAPACITOR,FIXED ELECTROLYTIC | 220UF SRA,SS 16V 20% FM5 TP 5 | |
| | | C622 | 0CE4764F638 | O | O | O | O | O | O | CAPACITOR,ELECTROLYTIC | 47M SRA/SS 16V M FM5 TP(5) | |
| | | C623 | 0CH1392K562 | O | O | | | | O | CAPACITOR,FIXED CERAMIC(Temp.c | 3900PF 50V K Z5U(E) 1608 R/TP | |
| | | C623 | 0CH1392K562 | | | O | O | O | | CAPACITOR,FIXED CERAMIC(Temp.c | 3900PF 50V K Z5U(E) 1608 R/TP | |
| | | C624 | 0CH1392K562 | O | O | | | | O | CAPACITOR,FIXED CERAMIC(Temp.c | 3900PF 50V K Z5U(E) 1608 R/TP | |
| | | C624 | 0CH1392K562 | | | O | O | O | | CAPACITOR,FIXED CERAMIC(Temp.c | 3900PF 50V K Z5U(E) 1608 R/TP | |
| | | C628 | 0CE1054K638 | O | O | O | O | O | O | CAPACITOR,ELECTROLYTIC | 1.0M SRA/SS50V M FM5 TP(5) | |
| | | C629 | 0CE1054K638 | O | O | O | O | O | O | CAPACITOR,ELECTROLYTIC | 1.0M SRA/SS50V M FM5 TP(5) | |
| | | C630 | 0CE1054K638 | O | O | O | O | O | O | CAPACITOR,ELECTROLYTIC | 1.0M SRA/SS50V M FM5 TP(5) | |
| | | C631 | 0CE1054K638 | O | O | O | O | O | O | CAPACITOR,ELECTROLYTIC | 1.0M SRA/SS50V M FM5 TP(5) | |
| | | C632 | 0CE1054K638 | O | O | O | O | O | O | CAPACITOR,ELECTROLYTIC | 1.0M SRA/SS50V M FM5 TP(5) | |
| | | C633 | 0CH1104K942 | O | O | | | | O | CAPACITOR,CHIP[CERAMIC M/L HD | 0.1UF 50V Z Y5V(F) 1508 R/TP | |
| | | C633 | 0CH1104K942 | | | O | O | O | | CAPACITOR,CHIP[CERAMIC M/L HD | 0.1UF 50V Z Y5V(F) 1508 R/TP | |
| | | C634 | 0CE2264F638 | O | O | O | O | O | O | CAPACITOR,ELECTROLYTIC | 22M SRA 16V M FM5 TP(5) | |
| | | C635 | 0CH1104K942 | O | O | | | | O | CAPACITOR,CHIP[CERAMIC M/L HD | 0.1UF 50V Z Y5V(F) 1508 R/TP | |
| | | C635 | 0CH1104K942 | | | O | O | O | | CAPACITOR,CHIP[CERAMIC M/L HD | 0.1UF 50V Z Y5V(F) 1508 R/TP | |
| | | C636 | 0CE4764F638 | O | O | O | O | O | O | CAPACITOR,ELECTROLYTIC | 47M SRA/SS 16V M FM5 TP(5) | |
| | | C643 | 0CE1054K638 | O | O | O | O | O | O | CAPACITOR,ELECTROLYTIC | 1.0M SRA/SS50V M FM5 TP(5) | |
| | | C647 | 0CE1086C638 | O | O | O | O | O | O | CAPACITOR,FIXED ELECTROLYTIC | 1000000000 PF SMS,SG 6.3V M FM | |
| | | C651 | 0CE1086C638 | O | O | O | O | O | O | CAPACITOR,FIXED ELECTROLYTIC | 1000000000 PF SMS,SG 6.3V M FM | |
| | | C651 | 0CE2274C638 | O | O | O | O | | | CAPACITOR,ELECTROLYTIC | 220M SRA 6.3V M FM5 TP(5) | |
| | | C655 | 0CE1086C638 | O | O | O | O | O | O | CAPACITOR,FIXED ELECTROLYTIC | 1000000000 PF SMS,SG 6.3V M FM | |
| | | C659 | 0CE4775C638 | O | O | O | O | O | O | CAPACITOR,FIXED ELECTROLYTIC | 470UF SR,SV 6.3V 20% FM5 TP 5 | |
| | | C663 | 0CE4775C638 | O | O | O | O | O | O | CAPACITOR,FIXED ELECTROLYTIC | 470UF SR,SV 6.3V 20% FM5 TP 5 | |
| | | C673 | 0CH1104K942 | O | O | | | | O | CAPACITOR,CHIP[CERAMIC M/L HD | 0.1UF 50V Z Y5V(F) 1508 R/TP | |
| | | C673 | 0CH1104K942 | | | O | O | O | | CAPACITOR,CHIP[CERAMIC M/L HD | 0.1UF 50V Z Y5V(F) 1508 R/TP | |
| | | C674 | 0CH1104K942 | O | O | | | | O | CAPACITOR,CHIP[CERAMIC M/L HD | 0.1UF 50V Z Y5V(F) 1508 R/TP | |
| | | C674 | 0CH1104K942 | | | O | O | O | | CAPACITOR,CHIP[CERAMIC M/L HD | 0.1UF 50V Z Y5V(F) 1508 R/TP | |
| | | C675 | 0CE1074F638 | O | O | O | O | O | O | CAPACITOR,ELECTROLYTIC | 100U SRA 16V M FM5 TP(5) | |
| | | C676 | 0CH1104K942 | O | O | | | | O | CAPACITOR,CHIP[CERAMIC M/L HD | 0.1UF 50V Z Y5V(F) 1508 R/TP | |
| | | C676 | 0CH1104K942 | | | O | O | O | | CAPACITOR,CHIP[CERAMIC M/L HD | 0.1UF 50V Z Y5V(F) 1508 R/TP | |
| | | C677 | 0CH1104K942 | O | O | | | | O | CAPACITOR,CHIP[CERAMIC M/L HD | 0.1UF 50V Z Y5V(F) 1508 R/TP | |
| | | C677 | 0CH1104K942 | | | O | O | O | | CAPACITOR,CHIP[CERAMIC M/L HD | 0.1UF 50V Z Y5V(F) 1508 R/TP | |
| | | C678 | 0CH1104K942 | O | O | | | | O | CAPACITOR,CHIP[CERAMIC M/L HD | 0.1UF 50V Z Y5V(F) 1508 R/TP | |
| | | C678 | 0CH1104K942 | | | O | O | O | | CAPACITOR,CHIP[CERAMIC M/L HD | 0.1UF 50V Z Y5V(F) 1508 R/TP | |
| | | C679 | 0CE2274C638 | O | O | O | O | O | O | CAPACITOR,ELECTROLYTIC | 220M SRA 6.3V M FM5 TP(5) | |
| | | C680 | 0CH1104K942 | O | O | | | | O | CAPACITOR,CHIP[CERAMIC M/L HD | 0.1UF 50V Z Y5V(F) 1508 R/TP | |
| | | C680 | 0CH1104K942 | | | O | O | O | | CAPACITOR,CHIP[CERAMIC M/L HD | 0.1UF 50V Z Y5V(F) 1508 R/TP | |
| | | C681 | 0CH1104K942 | O | O | | | | O | CAPACITOR,CHIP[CERAMIC M/L HD | 0.1UF 50V Z Y5V(F) 1508 R/TP | |
| | | C681 | 0CH1104K942 | | | O | O | O | | CAPACITOR,CHIP[CERAMIC M/L HD | 0.1UF 50V Z Y5V(F) 1508 R/TP | |
| | | C682 | 0CH1104K942 | O | O | | | | O | CAPACITOR,CHIP[CERAMIC M/L HD | 0.1UF 50V Z Y5V(F) 1508 R/TP | |
| | | C682 | 0CH1104K942 | | | O | O | O | | CAPACITOR,CHIP[CERAMIC M/L HD | 0.1UF 50V Z Y5V(F) 1508 R/TP | |
| | | C683 | 0CH1104K942 | O | O | | | | O | CAPACITOR,CHIP[CERAMIC M/L HD | 0.1UF 50V Z Y5V(F) 1508 R/TP | |
| | | C683 | 0CH1104K942 | | | O | O | O | | CAPACITOR,CHIP[CERAMIC M/L HD | 0.1UF 50V Z Y5V(F) 1508 R/TP | |
| | | C690 | 0CE2274C638 | O | O | O | O | O | O | CAPACITOR,ELECTROLYTIC | 220M SRA 6.3V M FM5 TP(5) | |
| | | C691 | 0CH1104K942 | O | O | | | | O | CAPACITOR,CHIP[CERAMIC M/L HD | 0.1UF 50V Z Y5V(F) 1508 R/TP | |
| | | C691 | 0CH1104K942 | | | O | O | O | | CAPACITOR,CHIP[CERAMIC M/L HD | 0.1UF 50V Z Y5V(F) 1508 R/TP | |
| | | C6A1 | 0CH1104K942 | | | | | | O | CAPACITOR,CHIP[CERAMIC M/L HD | 0.1UF 50V Z Y5V(F) 1508 R/TP | |
| | | C6A1 | 0CH1104K942 | | | | | | O | CAPACITOR,CHIP[CERAMIC M/L HD | 0.1UF 50V Z Y5V(F) 1508 R/TP | |

| S | AL | LOCA.NO | PART NO(LG) | A | B | C | D | E | F | DESCRIPTION | SPECIFICATION | REMARKS |
|---|----|---------|-------------|---|---|---|---|---|---|-------------------------------|--------------------------------|---------|
| | | C6A2 | 0CH1104K942 | | | | | | O | CAPACITOR,CHIP[CERAMIC M/L HD | 0.1UF 50V Z Y5V(F) 1508 R/TP | |
| | | C6A2 | 0CH1104K942 | | | | | | O | CAPACITOR,CHIP[CERAMIC M/L HD | 0.1UF 50V Z Y5V(F) 1508 R/TP | |
| | | C6A3 | 0CH1104K942 | | | | | | O | CAPACITOR,CHIP[CERAMIC M/L HD | 0.1UF 50V Z Y5V(F) 1508 R/TP | |
| | | C6A3 | 0CH1104K942 | | | | | | O | CAPACITOR,CHIP[CERAMIC M/L HD | 0.1UF 50V Z Y5V(F) 1508 R/TP | |
| | | C6W1 | 0CH1104K942 | O | O | | | | O | CAPACITOR,CHIP[CERAMIC M/L HD | 0.1UF 50V Z Y5V(F) 1508 R/TP | |
| | | C6W1 | 0CH1104K942 | | | O | O | | O | CAPACITOR,CHIP[CERAMIC M/L HD | 0.1UF 50V Z Y5V(F) 1508 R/TP | |
| | | C6W2 | 0CH1104K942 | O | O | | | | O | CAPACITOR,CHIP[CERAMIC M/L HD | 0.1UF 50V Z Y5V(F) 1508 R/TP | |
| | | C6W2 | 0CH1104K942 | | | O | O | | O | CAPACITOR,CHIP[CERAMIC M/L HD | 0.1UF 50V Z Y5V(F) 1508 R/TP | |
| | | C6W3 | 0CE1064F638 | O | O | O | O | O | O | CAPACITOR,ELECTROLYTIC | 10M SRA 16V M FM5 TP(5) | |
| | | C6W4 | 0CH4101K412 | O | O | | | | O | CHIP CAPA CERAMIC M/L T.C F/S | 100P 50V J COG 1.6X0.8 R/TP | |
| | | C6W4 | 0CH4101K412 | | | O | O | | O | CHIP CAPA CERAMIC M/L T.C F/S | 100P 50V J COG 1.6X0.8 R/TP | |
| | | C6W5 | 0CH4270K412 | O | O | | | | O | CAPACITOR,CHIP[CERAMIC M/L TC | 27PF 50V J NP0 1608 R/TP | |
| | | C6W5 | 0CH4270K412 | | | O | O | | O | CAPACITOR,CHIP[CERAMIC M/L TC | 27PF 50V J NP0 1608 R/TP | |
| | | C6W6 | 0CH4101K412 | O | O | | | | O | CHIP CAPA CERAMIC M/L T.C F/S | 100P 50V J COG 1.6X0.8 R/TP | |
| | | C6W6 | 0CH4101K412 | | | O | O | | O | CHIP CAPA CERAMIC M/L T.C F/S | 100P 50V J COG 1.6X0.8 R/TP | |
| | | C902 | 0CE1064F638 | O | O | O | O | O | O | CAPACITOR,ELECTROLYTIC | 10M SRA 16V M FM5 TP(5) | |
| | | C905 | 0CH1104K942 | O | O | O | O | O | O | CAPACITOR,CHIP[CERAMIC M/L HD | 0.1UF 50V Z Y5V(F) 1508 R/TP | |
| | | C906 | 0CH1104K942 | O | O | O | O | O | O | CAPACITOR,CHIP[CERAMIC M/L HD | 0.1UF 50V Z Y5V(F) 1508 R/TP | |
| | | C907 | 0CH1104K942 | O | O | O | O | O | O | CAPACITOR,CHIP[CERAMIC M/L HD | 0.1UF 50V Z Y5V(F) 1508 R/TP | |
| | | C908 | 0CE2274C638 | O | O | O | O | O | O | CAPACITOR,ELECTROLYTIC | 220M SRA 6.3V M FM5 TP(5) | |
| | | C909 | 0CE4764J638 | O | O | O | O | O | O | CAPACITOR,AL.ELECTROLYTIC | 47UF SRA,SS 35V M FM5 TP 5 | |
| | | C910 | 0CH1104K942 | O | O | O | O | O | O | CAPACITOR,CHIP[CERAMIC M/L HD | 0.1UF 50V Z Y5V(F) 1508 R/TP | |
| | | C911 | 0CH1104K942 | O | O | O | O | O | O | CAPACITOR,CHIP[CERAMIC M/L HD | 0.1UF 50V Z Y5V(F) 1508 R/TP | |
| | | C912 | 0CE4764F638 | O | O | O | O | O | O | CAPACITOR,ELECTROLYTIC | 47M SRA/SS 16V M FM5 TP(5) | |
| | | C913 | 0CH1104K942 | O | O | O | O | O | O | CAPACITOR,CHIP[CERAMIC M/L HD | 0.1UF 50V Z Y5V(F) 1508 R/TP | |
| | | CN201 | 6630XE00123 | O | O | O | O | O | O | CONNECTOR (CIRC),FFC/FPC | 04-6232-023-010-000/JE500-B1.0 | |
| | | CN202 | 6630XE00106 | O | O | O | O | O | O | CONNECTOR (CIRC),FFC/FPC | JE500-B1.0-T06/04-6232-006-010 | |
| | | CN203 | 561-711E | O | O | O | O | O | O | CONNECTOR (CIRC),WAFER | GIL-S-05P-S2T2-EF LG CABLE 5PI | |
| | | CN303 | 6630R-FB05R | O | O | | | | O | CONNECTOR (CIRC),FFC/FPC | 00-6232-018-104-800 ELCO 18PIN | |
| | | CN505 | 6630XE00118 | | | O | O | | O | CONNECTOR (CIRC),FFC/FPC | 04-6232-018-010-000/JE500-B1.0 | |
| | | CN505 | 6630XE00118 | O | O | | | | | CONNECTOR (CIRC),FFC/FPC | 04-6232-018-010-000/JE500-B1.0 | |
| | | CN601 | 6630R-FB05R | O | O | O | O | | | CONNECTOR (CIRC),FFC/FPC | 00-6232-018-104-800 ELCO 18PIN | |
| | | CN601 | 6630XE00118 | O | O | | | | O | CONNECTOR (CIRC),FFC/FPC | 04-6232-018-010-000/JE500-B1.0 | |
| | | CN601 | 6630XE00118 | | | O | O | | O | CONNECTOR (CIRC),FFC/FPC | 04-6232-018-010-000/JE500-B1.0 | |
| | | CN602 | 6630XE00118 | O | O | | | | | CONNECTOR (CIRC),FFC/FPC | 04-6232-018-010-000/JE500-B1.0 | |
| | | CN602 | 6630XE00118 | | | | | | O | CONNECTOR (CIRC),FFC/FPC | 04-6232-018-010-000/JE500-B1.0 | |
| | | CN603 | 561-711O | O | O | O | O | O | O | CONNECTOR (CIRC),WAFER | GIL-S-15P-S2T2-EF LG CABLE 15P | |
| | | CN901 | 6630R-FB10R | O | O | O | O | O | O | CONNECTOR (CIRC),FFC/FPC | 00-6232-018-006-800 ELCO 18PIN | |
| | | CN902 | 6631R-E034H | O | O | O | O | O | O | CONNECTOR ASSEMBLY | GIL-S/9073ST 4 PIN 100M/M UL10 | |
| | | CN903 | 561-712D | O | O | O | O | O | O | CONNECTOR (CIRC),WAFER | GIL-S-04P-S2L2-EF LG CABLE 4PI | |
| | | D100 | 0DD221009AA | O | O | O | O | O | O | DIODE,RECTIFIERS | ERA22-10 KFLB,TP ,R T/P,FUJI | |
| | | D101 | 0DZ240009AF | O | O | O | O | O | O | DIODE,ZENERS | GDZJ24B GRANDE TP26 DO34 0.5W | |
| | | D102 | 0DR158220AA | O | O | O | O | O | O | DIODE,RECTIFIER | 1N5822 BK RECTRON DO201AD 40V | |
| | | D103 | 0DR202000AB | O | O | O | O | O | O | DIODE,RECTIFIER | HER202 BK RECTRON NON 100V 2A | |
| | | D104 | 0DR104009BA | O | O | O | O | O | O | DIODE,RECTIFIERS | RL104F TP RECTRON - 400V 1A 30 | |
| | | D105 | 874-000T | O | O | O | O | O | O | WIRE COPPER TIN COATED | D=0.6 ROLL | |
| | | D106 | 0DR104009AB | O | O | O | O | O | O | DIODE,RECTIFIER | RL104 R. TP GULF SEMICONDUCTOR | |
| | | D107 | 0DR104009BA | O | O | O | O | O | O | DIODE,RECTIFIERS | RL104F TP RECTRON - 400V 1A 30 | |
| | | D108 | 0DR104009BA | O | O | O | O | O | O | DIODE,RECTIFIERS | RL104F TP RECTRON - 400V 1A 30 | |
| | | D109 | 0DR202000AB | O | O | O | O | O | O | DIODE,RECTIFIER | HER202 BK RECTRON NON 100V 2A | |
| | | D110 | 0DR104009BA | O | O | O | O | O | O | DIODE,RECTIFIERS | RL104F TP RECTRON - 400V 1A 30 | |
| | | D111 | 0DRRE00029A | O | O | O | O | O | O | DIODE,RECTIFIERS | 1N17 RECTRON TP NON 20V 1A 20 | |
| | | D311 | 0DS202009CA | O | O | | | | O | DIODE,SWITCHING | DAN202K TP ROHM KOREA SOT23 80 | |
| | | D312 | 0DS202009CA | O | O | | | | O | DIODE,SWITCHING | DAN202K TP ROHM KOREA SOT23 80 | |
| | | D600 | 0DSRM00118A | O | O | | | | O | DIODE,SWITCHING | DAP202K T146 ROHM R/TP SMD 80V | |
| | | D600 | 0DSRM00118A | | | O | O | | O | DIODE,SWITCHING | DAP202K T146 ROHM R/TP SMD 80V | |
| | | D670 | 0DR104009BA | O | O | O | O | O | O | DIODE,RECTIFIERS | RL104F TP RECTRON - 400V 1A 30 | |
| | | DIG90 | 6302R-V205A | O | O | O | O | O | O | DIGITRON | HNV-06SC03T SS SDI SEG VFD DVD | |
| △ | | F101 | 0FS1601B51B | | | | | | O | FUSE,SLOW BLOW | 1600MA 250 V 5.2X20 CY/GL KS / | |

| S | AL | LOCA.NO | PART NO(LG) | A | B | C | D | E | F | DESCRIPTION | SPECIFICATION | REMARKS |
|---|----|---------|-------------|---|---|---|---|---|---|--------------------------------|--------------------------------|---------|
| △ | | F101 | 0FS1601B51D | ○ | ○ | ○ | ○ | | | FUSE,SLOW BLOW | 1600MA 250 V 5.2X20 CY/GL KS/J | |
| | | F102 | 0RF0200F708 | ○ | ○ | ○ | ○ | ○ | ○ | RESISTOR,VARIABLE[CARBON FILM] | 0.2 OHM 1/6 W 10% TA26 | |
| | | F103 | 874-000T | ○ | ○ | ○ | ○ | ○ | ○ | WIRE COPPER TIN COATED | D=0.6 ROLL | |
| | | F104 | 874-000T | ○ | ○ | ○ | ○ | ○ | ○ | WIRE COPPER TIN COATED | D=0.6 ROLL | |
| | | F301 | 6200HJC901A | ○ | ○ | | | | ○ | FILTER(CIRC),EMC | CFI06B1H101MF SAMHWA TP 2-5K | |
| | | F302 | 6200HJC901A | ○ | ○ | | | | ○ | FILTER(CIRC),EMC | CFI06B1H101MF SAMHWA TP 2-5K | |
| | | F303 | 6200HJC901A | ○ | ○ | | | | ○ | FILTER(CIRC),EMC | CFI06B1H101MF SAMHWA TP 2-5K | |
| | | F304 | 6200HJC901A | ○ | ○ | | | | ○ | FILTER(CIRC),EMC | CFI06B1H101MF SAMHWA TP 2-5K | |
| | | F305 | 6200HJC901A | ○ | ○ | | | | ○ | FILTER(CIRC),EMC | CFI06B1H101MF SAMHWA TP 2-5K | |
| | | F306 | 6200HJC901A | ○ | ○ | | | | ○ | FILTER(CIRC),EMC | CFI06B1H101MF SAMHWA TP 2-5K | |
| | | F600 | 6200JB8010V | ○ | ○ | | | | ○ | FILTER(CIRC),EMC | LFA20-2A1E473MT MITSUBISHI MAT | |
| | | F600 | 6200JB8010V | | | ○ | ○ | ○ | | FILTER(CIRC),EMC | LFA20-2A1E473MT MITSUBISHI MAT | |
| | | F651 | 6200HJC901A | ○ | ○ | ○ | ○ | | | FILTER(CIRC),EMC | CFI06B1H101MF SAMHWA TP 2-5K | |
| | | F652 | 6200HJC901A | ○ | ○ | ○ | ○ | | | FILTER(CIRC),EMC | CFI06B1H101MF SAMHWA TP 2-5K | |
| | | F653 | 6200HJC901A | ○ | ○ | ○ | ○ | | | FILTER(CIRC),EMC | CFI06B1H101MF SAMHWA TP 2-5K | |
| | | FH101 | 586-008B | ○ | ○ | ○ | ○ | ○ | ○ | HOLDER | FUSE CLIP TP SINSUNG | |
| | | FH102 | 586-008B | ○ | ○ | ○ | ○ | ○ | ○ | HOLDER | FUSE CLIP TP SINSUNG | |
| | | IC01 | 0IXL953615A | ○ | ○ | ○ | ○ | ○ | ○ | IC,XILINX | XC9536-15VQ44C 44P VQFP BK CPL | |
| △ | | IC101 | 0IPMGH004A | ○ | ○ | ○ | ○ | ○ | ○ | IC,POWER MANAGEMENT | ICE2B0565 INFINEON 8PIN DIP ST | |
| △ | | IC102 | 657-063A | ○ | ○ | ○ | ○ | ○ | ○ | SENSOR | LTV-817B,PHOTO COUPLER(LITEON) | |
| | | IC103 | 0IPMGFA017A | ○ | ○ | ○ | ○ | ○ | ○ | IC,POWER MANAGEMENT | KA78R12TSTU FAIRCHILD 4P TO-22 | |
| | | IC104 | 0IKE431000A | ○ | ○ | ○ | ○ | ○ | ○ | IC,KEC | KIA431 3 PIN TP | |
| | | IC105 | 0IPMGFA016A | ○ | ○ | ○ | ○ | ○ | ○ | IC,POWER MANAGEMENT | KA78R08TSTU FAIRCHILD 4P TO-22 | |
| | | IC106 | 0IPMGFA015A | ○ | ○ | ○ | ○ | ○ | ○ | IC,POWER MANAGEMENT | KA78R33TSTU FAIRCHILD 4P TO-22 | |
| | | IC201 | 0ILNRNF006A | ○ | ○ | ○ | ○ | ○ | ○ | IC,LINEAR | MT1336E MEDIATEK INCORPORATION | |
| | | IC202 | 0IPRPSA010A | ○ | ○ | ○ | ○ | ○ | ○ | IC,PERIPHERALS | LA6560-A-TE-L SANYO HSOP-36R R | |
| | | IC301 | 0IPRPBB002A | ○ | ○ | | | | ○ | IC,PERIPHERALS | PCM1603KY BUR BROWN 52 TQFP TR | |
| | | IC302 | 0IJR458000B | ○ | ○ | | | | ○ | IC,JRC | NJM4580M 8,DMP8 TP OP AMP 2K/R | |
| | | IC303 | 0IJR458000B | ○ | ○ | | | | ○ | IC,JRC | NJM4580M 8,DMP8 TP OP AMP 2K/R | |
| | | IC304 | 0IJR458000B | ○ | ○ | | | | ○ | IC,JRC | NJM4580M 8,DMP8 TP OP AMP 2K/R | |
| | | IC501 | 0ILNRNF007B | | | ○ | ○ | | ○ | IC,LINEAR | MT1379DEC MEDIATEK INCORPORATI | |
| | | IC501 | 0ILNRNF008B | | | | | ○ | | IC,LINEAR | MT1379EEC MEDIATEK INCORPORATI | |
| | | IC501 | 0ILNRNF008B | ○ | ○ | | | | | IC,LINEAR | MT1379EEC MEDIATEK INCORPORATI | |
| | | IC502 | 0IMMRHY001A | | | ○ | ○ | | ○ | IC,MEMORIES | HY57V161610DTC-7 HYUNDAI 50P T | |
| | | IC503 | 0IMMRHY001A | | | ○ | ○ | | ○ | IC,MEMORIES | HY57V161610DTC-7 HYUNDAI 50P T | |
| | | IC505 | 0ISS240210A | | | ○ | ○ | ○ | ○ | IC,SAMSUNG ELECTRONICS | S524A40X21-SCT0 SOP8 TP EEPROM | |
| | | IC505 | 0ISS240210A | ○ | ○ | | | | | IC,SAMSUNG ELECTRONICS | S524A40X21-SCT0 SOP8 TP EEPROM | |
| | | IC506 | 0IMMRH006A | | | | | ○ | | IC,MEMORIES | IS42S16400A-7T INTEGRATED SILI | |
| | | IC506 | 0IMMRH006A | ○ | ○ | | | | | IC,MEMORIES | IS42S16400A-7T INTEGRATED SILI | |
| | | IC510 | 0IFA742440F | | | ○ | ○ | ○ | ○ | IC,FAIRCHILD | MM74HCT244SJ 20P SOIC TP 3-STA | |
| | | IC510 | 0IFA742440F | ○ | ○ | | | | | IC,FAIRCHILD | MM74HCT244SJ 20P SOIC TP 3-STA | |
| | | IC5A1 | 0IMMRFU010A | | | ○ | ○ | | ○ | IC,MEMORIES | MBM29LV800TA-70PFTN FUJITSU 48 | |
| | | IC5A1 | 0IMMRFU011A | | | | | ○ | | IC,MEMORIES | MBM29LV160TE70NC FUJITSU 48PIN | |
| | | IC5A1 | 0IMMRFU011A | ○ | ○ | | | | | IC,MEMORIES | MBM29LV160TE70NC FUJITSU 48PIN | |
| | | IC601 | 0IPRPCI003B | ○ | ○ | | | | ○ | IC,PERIPHERALS | CS4391-KZR CIRRUS LOGIC 20 TSS | |
| | | IC601 | 0IPRPCI003B | | | ○ | ○ | ○ | | IC,PERIPHERALS | CS4391-KZR CIRRUS LOGIC 20 TSS | |
| | | IC602 | 0ILNRBB003A | ○ | ○ | | | | ○ | IC,LINEAR | 0PA2604AU BUR BROWN 8P SOP R/T | |
| | | IC602 | 0ILNRBB003A | | | ○ | ○ | ○ | | IC,LINEAR | 0PA2604AU BUR BROWN 8P SOP R/T | |
| | | IC604 | 0IPRPMTO08A | ○ | ○ | | | | ○ | IC,PERIPHERALS | MM1623XFBE MITSUMI 28PIN SOP R | |
| | | IC604 | 0IPRPMTO08A | | | ○ | ○ | ○ | | IC,PERIPHERALS | MM1623XFBE MITSUMI 28PIN SOP R | |
| | | IC901 | 0IMCRHY070B | ○ | ○ | ○ | ○ | ○ | ○ | IC,MICRO CONTROLLER | HMS81C2012A-HK006 HYNIX 64PIN | |
| | | IC902 | 0IKE704200B | ○ | ○ | ○ | ○ | ○ | ○ | IC,KEC | KIA7042P 3P 4.2V RESET(TAPING) | |
| | | JK301 | 6612JH002XA | ○ | ○ | | | | ○ | JACK,RCA | RCA-617A-01 YUQIU | |
| | | JK601 | 6612JH003KA | ○ | ○ | ○ | ○ | ○ | ○ | JACK,RCA | RCA/DIN-150G YUQIU | |
| | | JK601 | 6612M00003A | ○ | ○ | ○ | ○ | | | JACK,SCART | RGB-21F(REV TYPE-SHIELD) BAE E | |
| | | JK602 | 6612K00003A | ○ | ○ | ○ | ○ | ○ | ○ | JACK,FIBER OPTIC | PLT131/T5/6 EVERLIGHT PUSH TYP | |
| △ | | L101 | 616-145M | ○ | ○ | ○ | ○ | ○ | ○ | FILTER(CIRC),DRAWING | V-04350 LS FUTAI BULK =616-145 | |
| | | L102 | 633-088D | ○ | ○ | ○ | ○ | ○ | ○ | COIL,CHOKE | CHOCK ,20UH KWANGSUNG LEAD CU | |
| | | L103 | 633-088G | ○ | ○ | ○ | ○ | ○ | ○ | COIL,CHOKE | CHOCK(22MH) 5MM TOKO TP | |

| S | AL | LOCA.NO | PART NO(LG) | A | B | C | D | E | F | DESCRIPTION | SPECIFICATION | REMARKS |
|---|----|---------|-------------|---|---|---|---|---|---|-------------------------|--------------------------------|---------|
| | | L105 | 633-088G | O | O | O | O | O | O | COIL,CHOKE | CHOCK(22MH) 5MM TOKO TP | |
| | | L201 | 0LR0102J025 | O | O | O | O | O | O | INDUCTOR,RADIAL LEAD | 10UH 5% 4X5 TR5 | |
| | | L202 | 6200HJC102A | O | O | O | O | O | O | FILTER(CIRC),EMC | HB-1M2012-102JT CERATECH TP | |
| | | L203 | 0LR0102J025 | O | O | O | O | O | O | INDUCTOR,RADIAL LEAD | 10UH 5% 4X5 TR5 | |
| | | L204 | 6200HJC102A | O | O | O | O | O | O | FILTER(CIRC),EMC | HB-1M2012-102JT CERATECH TP | |
| | | L231 | 6200HJC102A | O | O | O | O | O | O | FILTER(CIRC),EMC | HB-1M2012-102JT CERATECH TP | |
| | | L251 | 6200HJC102A | O | O | O | O | O | O | FILTER(CIRC),EMC | HB-1M2012-102JT CERATECH TP | |
| | | L501 | 6200HJC102A | | | | | | O | FILTER(CIRC),EMC | HB-1M2012-102JT CERATECH TP | |
| | | L501 | 6200HJC102A | O | O | | | | | FILTER(CIRC),EMC | HB-1M2012-102JT CERATECH TP | |
| | | L502 | 6200HJC102A | | | O | O | O | O | FILTER(CIRC),EMC | HB-1M2012-102JT CERATECH TP | |
| | | L502 | 6200HJC102A | O | O | | | | | FILTER(CIRC),EMC | HB-1M2012-102JT CERATECH TP | |
| | | L504 | 6200HJC102A | | | O | O | O | O | FILTER(CIRC),EMC | HB-1M2012-102JT CERATECH TP | |
| | | L504 | 6200HJC102A | O | O | | | | | FILTER(CIRC),EMC | HB-1M2012-102JT CERATECH TP | |
| | | L510 | 6200HJC102A | | | O | O | O | O | FILTER(CIRC),EMC | HB-1M2012-102JT CERATECH TP | |
| | | L510 | 6200HJC102A | O | O | | | | | FILTER(CIRC),EMC | HB-1M2012-102JT CERATECH TP | |
| | | L600 | 6200HJC102A | O | O | | | | O | FILTER(CIRC),EMC | HB-1M2012-102JT CERATECH TP | |
| | | L600 | 6200HJC102A | | | O | O | O | O | FILTER(CIRC),EMC | HB-1M2012-102JT CERATECH TP | |
| | | L601 | 6200HJC102A | O | O | | | | O | FILTER(CIRC),EMC | HB-1M2012-102JT CERATECH TP | |
| | | L601 | 6200HJC102A | | | O | O | O | O | FILTER(CIRC),EMC | HB-1M2012-102JT CERATECH TP | |
| | | L602 | 6200HJC102A | O | O | | | | O | FILTER(CIRC),EMC | HB-1M2012-102JT CERATECH TP | |
| | | L602 | 6200HJC102A | | | O | O | O | O | FILTER(CIRC),EMC | HB-1M2012-102JT CERATECH TP | |
| | | L673 | 6200HJC102A | O | O | | | | O | FILTER(CIRC),EMC | HB-1M2012-102JT CERATECH TP | |
| | | L673 | 6200HJC102A | | | O | O | O | O | FILTER(CIRC),EMC | HB-1M2012-102JT CERATECH TP | |
| | | L674 | 6200HJC102A | O | O | | | | O | FILTER(CIRC),EMC | HB-1M2012-102JT CERATECH TP | |
| | | L674 | 6200HJC102A | | | O | O | O | O | FILTER(CIRC),EMC | HB-1M2012-102JT CERATECH TP | |
| | | L690 | 6200HJC102A | O | O | | | | O | FILTER(CIRC),EMC | HB-1M2012-102JT CERATECH TP | |
| | | L690 | 6200HJC102A | | | O | O | O | O | FILTER(CIRC),EMC | HB-1M2012-102JT CERATECH TP | |
| | | L901 | 6200HJC102A | O | O | O | O | O | O | FILTER(CIRC),EMC | HB-1M2012-102JT CERATECH TP | |
| | | LED01 | 0DL111209CA | O | O | O | O | O | O | LED | LTL-1CHEES-UA TP LITEON RED =0 | |
| | | LED02 | 0DL111209EA | O | O | O | O | O | O | LED | LTL-1CHKES-UA TP LITEON GREEN | |
| | | LED03 | 0DL111209CA | O | O | O | O | O | O | LED | LTL-1CHEES-UA TP LITEON RED =0 | |
| | | LED90 | 0DLAU0029AA | O | O | O | O | O | O | LED | AUK SYM3272 (YELLOW-GREEN,GREE | |
| | | PBJIG | 6871R-1959A | O | O | O | O | O | O | PWB(PCB) ASSY,TOTAL | DVD-3000'S JIG A'Y | |
| | | PBT00 | 6871R-5697A | | | | | | O | PWB(PCB) ASSEMBLY,TOTAL | DV7000S NAD TIMER SH | |
| △ | | PW101 | 561-292B | O | O | O | O | O | O | CONNECTOR | GP390 LGC 3P 3.96 STRAIGHT SN | |
| | | Q101 | 0TR534309BA | O | O | O | O | O | O | TRANSISTOR | 2SC5343-L TP AUK TO92 | |
| | | Q102 | 0TR105009AD | O | O | O | O | O | O | TRANSISTOR,BIPOLARS | KRA105M KEC TP TO92 50V 100MA | |
| | | Q107 | 0TR115100AA | O | O | O | O | O | O | TRANSISTOR | KSB1151-Y BK SAMSUNG TO-126 | |
| | | Q108 | 0TR534309BA | O | O | O | O | O | O | TRANSISTOR | 2SC5343-L TP AUK TO92 | |
| | | Q201 | 0TR387509AC | O | O | O | O | O | O | TRANSISTOR | CHIP KTC3875S-GR-T1(ALG) KEC | |
| | | Q202 | 0TRRH80042A | O | O | O | O | O | O | TRANSISTOR,BIPOLARS | 2SK3018 T106 ROHM KOREA R/TP U | |
| | | Q203 | 0TRRH80042A | O | O | O | O | O | O | TRANSISTOR,BIPOLARS | 2SK3018 T106 ROHM KOREA R/TP U | |
| | | Q204 | 0TR103709BB | O | O | O | O | O | O | TRANSISTOR,BIPOLARS | 2SA1037K-Q CHIP TP ROHM - - | |
| | | Q205 | 0TR103709BB | O | O | O | O | O | O | TRANSISTOR,BIPOLARS | 2SA1037K-Q CHIP TP ROHM - - | |
| | | Q301 | 0TR387509AC | O | O | | | | O | TRANSISTOR | CHIP KTC3875S-GR-T1(ALG) KEC | |
| | | Q302 | 0TR387509AC | O | O | | | | O | TRANSISTOR | CHIP KTC3875S-GR-T1(ALG) KEC | |
| | | Q303 | 0TR387509AC | O | O | | | | O | TRANSISTOR | CHIP KTC3875S-GR-T1(ALG) KEC | |
| | | Q304 | 0TR387509AC | O | O | | | | O | TRANSISTOR | CHIP KTC3875S-GR-T1(ALG) KEC | |
| | | Q305 | 0TR387509AC | O | O | | | | O | TRANSISTOR | CHIP KTC3875S-GR-T1(ALG) KEC | |
| | | Q306 | 0TR387509AC | O | O | | | | O | TRANSISTOR | CHIP KTC3875S-GR-T1(ALG) KEC | |
| | | Q307 | 0TR103009AC | O | O | | | | O | TRANSISTOR | KRA103S-T1(PC)22-22 CHIP KEC | |
| | | Q308 | 0TR103009AC | O | O | | | | O | TRANSISTOR | KRA103S-T1(PC)22-22 CHIP KEC | |
| | | Q501 | 0TR387509AC | | | O | O | O | O | TRANSISTOR | CHIP KTC3875S-GR-T1(ALG) KEC | |
| | | Q501 | 0TR387509AC | O | O | | | | | TRANSISTOR | CHIP KTC3875S-GR-T1(ALG) KEC | |
| | | Q600 | 0TR150409AC | O | O | | | | O | TRANSISTOR | KTA1504-GR-T1(ASG) CHIP KEC | |
| | | Q600 | 0TR150409AC | | | O | O | O | O | TRANSISTOR | KTA1504-GR-T1(ASG) CHIP KEC | |
| | | Q601 | 0TR103009AC | O | O | | | | O | TRANSISTOR | KRA103S-T1(PC)22-22 CHIP KEC | |
| | | Q601 | 0TR103009AC | | | O | O | O | O | TRANSISTOR | KRA103S-T1(PC)22-22 CHIP KEC | |
| | | Q602 | 0TR103009AC | O | O | | | | O | TRANSISTOR | KRA103S-T1(PC)22-22 CHIP KEC | |

| S | AL | LOCA.NO | PART NO(LG) | A | B | C | D | E | F | DESCRIPTION | SPECIFICATION | REMARKS |
|---|----|---------|-------------|---|---|---|---|---|---|--------------------------------|--------------------------------|---------|
| | | Q602 | 0TR103009AC | | | O | O | O | | TRANSISTOR | KRA103S-T1(PC)22-22 CHIP KEC | |
| | | Q603 | 0TR387509AC | O | O | | | | O | TRANSISTOR | CHIP KTC3875S-GR-T1(ALG) KEC | |
| | | Q603 | 0TR387509AC | | | O | O | O | | TRANSISTOR | CHIP KTC3875S-GR-T1(ALG) KEC | |
| | | Q604 | 0TR387509AC | O | O | | | | O | TRANSISTOR | CHIP KTC3875S-GR-T1(ALG) KEC | |
| | | Q604 | 0TR387509AC | | | O | O | O | | TRANSISTOR | CHIP KTC3875S-GR-T1(ALG) KEC | |
| | | Q605 | 0TR387509AC | O | O | | | | O | TRANSISTOR | CHIP KTC3875S-GR-T1(ALG) KEC | |
| | | Q605 | 0TR387509AC | | | O | O | O | | TRANSISTOR | CHIP KTC3875S-GR-T1(ALG) KEC | |
| | | Q606 | 0TR387509AC | O | O | | | | O | TRANSISTOR | CHIP KTC3875S-GR-T1(ALG) KEC | |
| | | Q606 | 0TR387509AC | | | O | O | O | | TRANSISTOR | CHIP KTC3875S-GR-T1(ALG) KEC | |
| | | Q651 | 0TR120309AE | O | O | O | O | | | TRANSISTOR | SRC1203 TP AUK TO92 22K,22K | |
| | | Q6T0 | 0TR387509AC | O | O | | | | O | TRANSISTOR | CHIP KTC3875S-GR-T1(ALG) KEC | |
| | | Q6T0 | 0TR387509AC | | | O | O | O | | TRANSISTOR | CHIP KTC3875S-GR-T1(ALG) KEC | |
| | | Q901 | 0TR103009AA | O | O | O | O | O | O | TRANSISTOR | CHIP KRC103S-T1(NC)22-22 KEC | |
| | | Q902 | 0TR103009AA | O | O | O | O | O | O | TRANSISTOR | CHIP KRC103S-T1(NC)22-22 KEC | |
| | | R01 | 0RD3900F608 | O | O | O | O | O | O | RESISTOR,FIXED CARBON FILM | 390 OHM 1/6 W 5% TA26 | |
| | | R02 | 0RD3900F608 | O | O | O | O | O | O | RESISTOR,FIXED CARBON FILM | 390 OHM 1/6 W 5% TA26 | |
| | | R03 | 0RD3900F608 | O | O | O | O | O | O | RESISTOR,FIXED CARBON FILM | 390 OHM 1/6 W 5% TA26 | |
| | | R100 | 0RD1504H632 | O | O | O | O | O | O | RESISTOR,FIXED CARBON FILM | 1.5M OHM 1/2 W 5.00% MF10 | |
| | | R101 | 614-007A | O | O | O | O | O | O | RESISTOR | 2.7/2W CEMENT SMPS V | |
| | | R103 | 0RS5602K619 | O | O | O | O | O | O | RESISTOR,FIXED METAL OXIDE FIL | 56K OHM 2 W 5.00% TR | |
| | | R107 | 0RS0600K619 | O | O | O | O | O | O | RESISTOR,FIXED METAL OXIDE FIL | 0.6 OHM 2 W 5% TR | |
| | | R109 | 0RD2203F608 | O | O | O | O | O | O | RESISTOR,FIXED CARBON FILM | 220K OHM 1/6 W 5% TA26 | |
| | | R110 | 0RD2203F608 | O | O | O | O | O | O | RESISTOR,FIXED CARBON FILM | 220K OHM 1/6 W 5% TA26 | |
| | | R112 | 0RD0472F608 | O | O | O | O | O | O | RESISTOR,FIXED CARBON FILM | 47 OHM 1/6 W 5% TA26 | |
| | | R114 | 0RD1003F608 | O | O | O | O | O | O | RESISTOR,FIXED CARBON FILM | 100K OHM 1/6 W 5% TA26 | |
| | | R115 | 0RD0182F608 | O | O | O | O | O | O | RESISTOR,FIXED CARBON FILM | 18 OHM 1/6 W 5.00% TA26 | |
| | | R116 | 0RD0182F608 | O | O | O | O | O | O | RESISTOR,FIXED CARBON FILM | 18 OHM 1/6 W 5.00% TA26 | |
| | | R120 | 0RD4702F608 | O | O | O | O | O | O | RESISTOR,FIXED CARBON FILM | 47K OHM 1/6 W 5% TA26 | |
| | | R121 | 0RD1201F608 | O | O | O | O | O | O | RESISTOR,FIXED CARBON FILM | 1.2K OHM 1/6 W 5% TA26 | |
| | | R122 | 0RD2200F608 | O | O | O | O | O | O | RESISTOR,FIXED CARBON FILM | 220 OHM 1/6 W 5% TA26 | |
| | | R123 | 0RD1001F608 | O | O | O | O | O | O | RESISTOR,FIXED CARBON FILM | 1K OHM 1/6 W 5% TA26 | |
| | | R124 | 0RD1800F608 | O | O | O | O | O | O | RESISTOR,FIXED CARBON FILM | 180 OHM 1/6 W 5% TA26 | |
| | | R125 | 0RD3901F608 | O | O | O | O | O | O | RESISTOR,FIXED CARBON FILM | 3.9K OHM 1/6 W 5% TA26 | |
| | | R126 | 0RD1001F608 | O | O | O | O | O | O | RESISTOR,FIXED CARBON FILM | 1K OHM 1/6 W 5% TA26 | |
| | | R127 | 0RN3601E408 | O | O | O | O | O | O | RESISTOR,FIXED METAL FILM | 3.6K OHM 1/8 W 1.00% TA26 | |
| | | R128 | 0RN3301E408 | O | O | O | O | O | O | RESISTOR,FIXED METAL FILM | 3.3K OHM 1/8 W 1.00% TA26 | |
| | | R130 | 0RD1002F608 | O | O | O | O | O | O | RESISTOR,FIXED CARBON FILM | 10K OHM 1/6 W 5% TA26 | |
| | | R131 | 0RD2201F608 | O | O | O | O | O | O | RESISTOR,FIXED CARBON FILM | 2.2K OHM 1/6 W 5% TA26 | |
| | | R132 | 0RD1002F608 | O | O | O | O | O | O | RESISTOR,FIXED CARBON FILM | 10K OHM 1/6 W 5% TA26 | |
| | | R140 | 0RD1001F608 | O | O | O | O | O | O | RESISTOR,FIXED CARBON FILM | 1K OHM 1/6 W 5% TA26 | |
| | | R142 | 0RD1001F608 | O | O | O | O | O | O | RESISTOR,FIXED CARBON FILM | 1K OHM 1/6 W 5% TA26 | |
| | | R145 | 0RD4700F608 | O | O | O | O | O | O | RESISTOR,FIXED CARBON FILM | 470 OHM 1/6 W 5% TA26 | |
| | | R201 | 0RH1002C622 | O | O | O | O | O | O | RESISTOR,METAL GLAZED(CHIP) | 10K OHM 1 / 16 W 1608 5.00% D | |
| | | R202 | 0RH1003C622 | O | O | O | O | O | O | RESISTOR,METAL GLAZED(CHIP) | 100K OHM 1 / 16 W 1608 5.00% D | |
| | | R203 | 0RH1002C622 | O | O | O | O | O | O | RESISTOR,METAL GLAZED(CHIP) | 10K OHM 1 / 16 W 1608 5.00% D | |
| | | R204 | 0RH1003C622 | O | O | O | O | O | O | RESISTOR,METAL GLAZED(CHIP) | 100K OHM 1 / 16 W 1608 5.00% D | |
| | | R205 | 0RH0272C622 | O | O | O | O | O | O | RESISTOR,METAL GLAZED(CHIP) | 27 OHM 1 / 16 W 1608 5.00% D | |
| | | R206 | 0RH0272C622 | O | O | O | O | O | O | RESISTOR,METAL GLAZED(CHIP) | 27 OHM 1 / 16 W 1608 5.00% D | |
| | | R207 | 0RH0000C622 | O | O | O | O | O | O | RESISTOR,METAL GLAZED(CHIP) | 0 OHM 1 / 16 W 1608 5.00% D | |
| | | R208 | 0RH0000C622 | O | O | O | O | O | O | RESISTOR,METAL GLAZED(CHIP) | 0 OHM 1 / 16 W 1608 5.00% D | |
| | | R209 | 0RH0000C622 | O | O | O | O | O | O | RESISTOR,METAL GLAZED(CHIP) | 0 OHM 1 / 16 W 1608 5.00% D | |
| | | R210 | 0RH0000C622 | O | O | O | O | O | O | RESISTOR,METAL GLAZED(CHIP) | 0 OHM 1 / 16 W 1608 5.00% D | |
| | | R211 | 0RH0221C622 | O | O | O | O | O | O | RESISTOR,METAL GLAZED(CHIP) | 2.2 OHM 1 / 16 W 1608 5.00% D | |
| | | R212 | 0RJ7503C677 | O | O | O | O | O | O | RESISTOR,METAL GLAZED(CHIP) | 750K OHM 1/16 W 5% 1608 R/TP | |
| | | R213 | 0RH3903C622 | O | O | O | O | O | O | RESISTOR,METAL GLAZED(CHIP) | 390K OHM 1 / 16 W 1608 5.00% D | |
| | | R214 | 0RJ7503C677 | O | O | O | O | O | O | RESISTOR,METAL GLAZED(CHIP) | 750K OHM 1/16 W 5% 1608 R/TP | |
| | | R215 | 0RH3903C622 | O | O | O | O | O | O | RESISTOR,METAL GLAZED(CHIP) | 390K OHM 1 / 16 W 1608 5.00% D | |
| | | R216 | 0RH0101C622 | O | O | O | O | O | O | RESISTOR,METAL GLAZED(CHIP) | 1 OHM 1 / 16 W 1608 5.00% D | |
| | | R217 | 0RH0221C622 | O | O | O | O | O | O | RESISTOR,METAL GLAZED(CHIP) | 2.2 OHM 1 / 16 W 1608 5.00% D | |

| S | AL | LOCA.NO | PART NO(LG) | A | B | C | D | E | F | DESCRIPTION | SPECIFICATION | REMARKS |
|---|----|---------|-------------|---|---|---|---|---|---|-----------------------------|--------------------------------|---------|
| | | R218 | 0RH0221C622 | 0 | 0 | 0 | 0 | 0 | 0 | RESISTOR,METAL GLAZED(CHIP) | 2.2 OHM 1 / 16 W 1608 5.00% D | |
| | | R220 | 0RH0272C622 | 0 | 0 | 0 | 0 | 0 | 0 | RESISTOR,METAL GLAZED(CHIP) | 27 OHM 1 / 16 W 1608 5.00% D | |
| | | R221 | 0RH0272C622 | 0 | 0 | 0 | 0 | 0 | 0 | RESISTOR,METAL GLAZED(CHIP) | 27 OHM 1 / 16 W 1608 5.00% D | |
| | | R231 | 0RH2201C622 | 0 | 0 | 0 | 0 | 0 | 0 | RESISTOR,METAL GLAZED(CHIP) | 2.2K OHM 1 / 16 W 1608 5.00% D | |
| | | R232 | 0RH2201C622 | 0 | 0 | 0 | 0 | 0 | 0 | RESISTOR,METAL GLAZED(CHIP) | 2.2K OHM 1 / 16 W 1608 5.00% D | |
| | | R233 | 0RH0221C622 | 0 | 0 | 0 | 0 | 0 | 0 | RESISTOR,METAL GLAZED(CHIP) | 2.2 OHM 1 / 16 W 1608 5.00% D | |
| | | R234 | 0RH0221C622 | 0 | 0 | 0 | 0 | 0 | 0 | RESISTOR,METAL GLAZED(CHIP) | 2.2 OHM 1 / 16 W 1608 5.00% D | |
| | | R235 | 0RH1002C622 | 0 | 0 | 0 | 0 | 0 | 0 | RESISTOR,METAL GLAZED(CHIP) | 10K OHM 1 / 16 W 1608 5.00% D | |
| | | R236 | 0RH1502C622 | 0 | 0 | 0 | 0 | 0 | 0 | RESISTOR,METAL GLAZED(CHIP) | 15K OHM 1 / 16 W 1608 5.00% D | |
| | | R237 | 0RH2702C622 | 0 | 0 | 0 | 0 | 0 | 0 | RESISTOR,METAL GLAZED(CHIP) | 27K OHM 1 / 16 W 1608 5.00% D | |
| | | R238 | 0RH1002C622 | 0 | 0 | 0 | 0 | 0 | 0 | RESISTOR,METAL GLAZED(CHIP) | 10K OHM 1 / 16 W 1608 5.00% D | |
| | | R239 | 0RH1002C622 | 0 | 0 | 0 | 0 | 0 | 0 | RESISTOR,METAL GLAZED(CHIP) | 10K OHM 1 / 16 W 1608 5.00% D | |
| | | R240 | 0RH1002C622 | 0 | 0 | 0 | 0 | 0 | 0 | RESISTOR,METAL GLAZED(CHIP) | 10K OHM 1 / 16 W 1608 5.00% D | |
| | | R241 | 0RH1002C622 | 0 | 0 | 0 | 0 | 0 | 0 | RESISTOR,METAL GLAZED(CHIP) | 10K OHM 1 / 16 W 1608 5.00% D | |
| | | R242 | 0RH2702C622 | 0 | 0 | 0 | 0 | 0 | 0 | RESISTOR,METAL GLAZED(CHIP) | 27K OHM 1 / 16 W 1608 5.00% D | |
| | | R243 | 0RH1002C622 | 0 | 0 | 0 | 0 | 0 | 0 | RESISTOR,METAL GLAZED(CHIP) | 10K OHM 1 / 16 W 1608 5.00% D | |
| | | R244 | 0RH1502C622 | 0 | 0 | 0 | 0 | 0 | 0 | RESISTOR,METAL GLAZED(CHIP) | 15K OHM 1 / 16 W 1608 5.00% D | |
| | | R245 | 0RH1002C622 | 0 | 0 | 0 | 0 | 0 | 0 | RESISTOR,METAL GLAZED(CHIP) | 10K OHM 1 / 16 W 1608 5.00% D | |
| | | R246 | 0RH1002C622 | 0 | 0 | 0 | 0 | 0 | 0 | RESISTOR,METAL GLAZED(CHIP) | 10K OHM 1 / 16 W 1608 5.00% D | |
| | | R251 | 0RH3302C622 | 0 | 0 | 0 | 0 | 0 | 0 | RESISTOR,METAL GLAZED(CHIP) | 33K OHM 1 / 16 W 1608 5.00% D | |
| | | R252 | 0RH1003C622 | 0 | 0 | 0 | 0 | 0 | 0 | RESISTOR,METAL GLAZED(CHIP) | 100K OHM 1 / 16 W 1608 5.00% D | |
| | | R253 | 0RH2702C622 | 0 | 0 | 0 | 0 | 0 | 0 | RESISTOR,METAL GLAZED(CHIP) | 27K OHM 1 / 16 W 1608 5.00% D | |
| | | R254 | 0RH0000C622 | 0 | 0 | 0 | 0 | 0 | 0 | RESISTOR,METAL GLAZED(CHIP) | 0 OHM 1 / 16 W 1608 5.00% D | |
| | | R255 | 0RH0000C622 | 0 | 0 | 0 | 0 | 0 | 0 | RESISTOR,METAL GLAZED(CHIP) | 0 OHM 1 / 16 W 1608 5.00% D | |
| | | R256 | 0RH1002C622 | 0 | 0 | 0 | 0 | 0 | 0 | RESISTOR,METAL GLAZED(CHIP) | 10K OHM 1 / 16 W 1608 5.00% D | |
| | | R257 | 0RH1002C622 | 0 | 0 | 0 | 0 | 0 | 0 | RESISTOR,METAL GLAZED(CHIP) | 10K OHM 1 / 16 W 1608 5.00% D | |
| | | R258 | 0RH0000C622 | 0 | 0 | 0 | 0 | 0 | 0 | RESISTOR,METAL GLAZED(CHIP) | 0 OHM 1 / 16 W 1608 5.00% D | |
| | | R259 | 0RH0000C622 | 0 | 0 | 0 | 0 | 0 | 0 | RESISTOR,METAL GLAZED(CHIP) | 0 OHM 1 / 16 W 1608 5.00% D | |
| | | R301 | 0RH1001D622 | 0 | 0 | | | 0 | | RESISTOR,METAL GLAZED(CHIP) | 1K OHM 1 / 10 W 2012 5.00% D | |
| | | R302 | 0RH0102D622 | 0 | 0 | | | 0 | | RESISTOR,METAL GLAZED(CHIP) | 10 OHM 1 / 10 W 2012 5.00% D | |
| | | R303 | 0RH0000D622 | 0 | 0 | | | 0 | | RESISTOR,METAL GLAZED(CHIP) | 0 OHM 1 / 10 W 2012 5.00% D | |
| | | R305 | 0RH0102D622 | 0 | 0 | | | 0 | | RESISTOR,METAL GLAZED(CHIP) | 10 OHM 1 / 10 W 2012 5.00% D | |
| | | R306 | 0RH1001D622 | 0 | 0 | | | 0 | | RESISTOR,METAL GLAZED(CHIP) | 1K OHM 1 / 10 W 2012 5.00% D | |
| | | R307 | 0RH1003D622 | 0 | 0 | | | 0 | | RESISTOR,METAL GLAZED(CHIP) | 100K OHM 1 / 10 W 2012 5.00% D | |
| | | R308 | 0RH2200D622 | 0 | 0 | | | 0 | | RESISTOR,METAL GLAZED(CHIP) | 220 OHM 1 / 10 W 2012 5.00% D | |
| | | R309 | 0RH3300D622 | 0 | 0 | | | 0 | | RESISTOR,METAL GLAZED(CHIP) | 330 OHM 1 / 10 W 2012 5.00% D | |
| | | R310 | 0RH1001D622 | 0 | 0 | | | 0 | | RESISTOR,METAL GLAZED(CHIP) | 1K OHM 1 / 10 W 2012 5.00% D | |
| | | R311 | 0RH1502D622 | 0 | 0 | | | 0 | | RESISTOR,METAL GLAZED(CHIP) | 15K OHM 1 / 10 W 2012 5.00% D | |
| | | R312 | 0RH6801D622 | 0 | 0 | | | 0 | | RESISTOR,METAL GLAZED(CHIP) | 6.8K OHM 1 / 10 W 2012 5.00% D | |
| | | R313 | 0RH7501D622 | 0 | 0 | | | 0 | | RESISTOR,METAL GLAZED(CHIP) | 7.5K OHM 1 / 10 W 2012 5.00% D | |
| | | R314 | 0RH7501D622 | 0 | 0 | | | 0 | | RESISTOR,METAL GLAZED(CHIP) | 7.5K OHM 1 / 10 W 2012 5.00% D | |
| | | R315 | 0RH7501D622 | 0 | 0 | | | 0 | | RESISTOR,METAL GLAZED(CHIP) | 7.5K OHM 1 / 10 W 2012 5.00% D | |
| | | R316 | 0RH6801D622 | 0 | 0 | | | 0 | | RESISTOR,METAL GLAZED(CHIP) | 6.8K OHM 1 / 10 W 2012 5.00% D | |
| | | R317 | 0RH1502D622 | 0 | 0 | | | 0 | | RESISTOR,METAL GLAZED(CHIP) | 15K OHM 1 / 10 W 2012 5.00% D | |
| | | R318 | 0RH3300D622 | 0 | 0 | | | 0 | | RESISTOR,METAL GLAZED(CHIP) | 330 OHM 1 / 10 W 2012 5.00% D | |
| | | R319 | 0RH5601D622 | 0 | 0 | | | 0 | | RESISTOR,METAL GLAZED(CHIP) | 5.6K OHM 1 / 10 W 2012 5.00% D | |
| | | R320 | 0RH4701D622 | 0 | 0 | | | 0 | | RESISTOR,METAL GLAZED(CHIP) | 4.7K OHM 1 / 10 W 2012 5.00% D | |
| | | R321 | 0RH1003D622 | 0 | 0 | | | 0 | | RESISTOR,METAL GLAZED(CHIP) | 100K OHM 1 / 10 W 2012 5.00% D | |
| | | R322 | 0RH2200D622 | 0 | 0 | | | 0 | | RESISTOR,METAL GLAZED(CHIP) | 220 OHM 1 / 10 W 2012 5.00% D | |
| | | R323 | 0RH1001D622 | 0 | 0 | | | 0 | | RESISTOR,METAL GLAZED(CHIP) | 1K OHM 1 / 10 W 2012 5.00% D | |
| | | R324 | 0RH2200D622 | 0 | 0 | | | 0 | | RESISTOR,METAL GLAZED(CHIP) | 220 OHM 1 / 10 W 2012 5.00% D | |
| | | R325 | 0RH1003D622 | 0 | 0 | | | 0 | | RESISTOR,METAL GLAZED(CHIP) | 100K OHM 1 / 10 W 2012 5.00% D | |
| | | R326 | 0RH3300D622 | 0 | 0 | | | 0 | | RESISTOR,METAL GLAZED(CHIP) | 330 OHM 1 / 10 W 2012 5.00% D | |
| | | R327 | 0RH1001D622 | 0 | 0 | | | 0 | | RESISTOR,METAL GLAZED(CHIP) | 1K OHM 1 / 10 W 2012 5.00% D | |
| | | R328 | 0RH1502D622 | 0 | 0 | | | 0 | | RESISTOR,METAL GLAZED(CHIP) | 15K OHM 1 / 10 W 2012 5.00% D | |
| | | R329 | 0RH6801D622 | 0 | 0 | | | 0 | | RESISTOR,METAL GLAZED(CHIP) | 6.8K OHM 1 / 10 W 2012 5.00% D | |
| | | R330 | 0RH1001D622 | 0 | 0 | | | 0 | | RESISTOR,METAL GLAZED(CHIP) | 1K OHM 1 / 10 W 2012 5.00% D | |
| | | R331 | 0RH7501D622 | 0 | 0 | | | 0 | | RESISTOR,METAL GLAZED(CHIP) | 7.5K OHM 1 / 10 W 2012 5.00% D | |
| | | R332 | 0RH6801D622 | 0 | 0 | | | 0 | | RESISTOR,METAL GLAZED(CHIP) | 6.8K OHM 1 / 10 W 2012 5.00% D | |

| S | AL | LOCA.NO | PART NO(LG) | A | B | C | D | E | F | DESCRIPTION | SPECIFICATION | REMARKS |
|---|----|---------|-------------|---|---|---|---|---|---|-----------------------------|--------------------------------|---------|
| | | R333 | 0RH1502D622 | O | O | | | O | | RESISTOR,METAL GLAZED(CHIP) | 15K OHM 1 / 10 W 2012 5.00% D | |
| | | R334 | 0RH3300D622 | O | O | | | O | | RESISTOR,METAL GLAZED(CHIP) | 330 OHM 1 / 10 W 2012 5.00% D | |
| | | R335 | 0RH5601D622 | O | O | | | O | | RESISTOR,METAL GLAZED(CHIP) | 5.6K OHM 1 / 10 W 2012 5.00% D | |
| | | R336 | 0RH4701D622 | O | O | | | O | | RESISTOR,METAL GLAZED(CHIP) | 4.7K OHM 1 / 10 W 2012 5.00% D | |
| | | R337 | 0RH1003D622 | O | O | | | O | | RESISTOR,METAL GLAZED(CHIP) | 100K OHM 1 / 10 W 2012 5.00% D | |
| | | R338 | 0RH2200D622 | O | O | | | O | | RESISTOR,METAL GLAZED(CHIP) | 220 OHM 1 / 10 W 2012 5.00% D | |
| | | R339 | 0RH1001D622 | O | O | | | O | | RESISTOR,METAL GLAZED(CHIP) | 1K OHM 1 / 10 W 2012 5.00% D | |
| | | R340 | 0RH1001D622 | O | O | | | O | | RESISTOR,METAL GLAZED(CHIP) | 1K OHM 1 / 10 W 2012 5.00% D | |
| | | R341 | 0RH2200D622 | O | O | | | O | | RESISTOR,METAL GLAZED(CHIP) | 220 OHM 1 / 10 W 2012 5.00% D | |
| | | R342 | 0RH1003D622 | O | O | | | O | | RESISTOR,METAL GLAZED(CHIP) | 100K OHM 1 / 10 W 2012 5.00% D | |
| | | R343 | 0RH3300D622 | O | O | | | O | | RESISTOR,METAL GLAZED(CHIP) | 330 OHM 1 / 10 W 2012 5.00% D | |
| | | R344 | 0RH1001D622 | O | O | | | O | | RESISTOR,METAL GLAZED(CHIP) | 1K OHM 1 / 10 W 2012 5.00% D | |
| | | R345 | 0RH1502D622 | O | O | | | O | | RESISTOR,METAL GLAZED(CHIP) | 15K OHM 1 / 10 W 2012 5.00% D | |
| | | R346 | 0RH6801D622 | O | O | | | O | | RESISTOR,METAL GLAZED(CHIP) | 6.8K OHM 1 / 10 W 2012 5.00% D | |
| | | R347 | 0RH7501D622 | O | O | | | O | | RESISTOR,METAL GLAZED(CHIP) | 7.5K OHM 1 / 10 W 2012 5.00% D | |
| | | R348 | 0RH7501D622 | O | O | | | O | | RESISTOR,METAL GLAZED(CHIP) | 7.5K OHM 1 / 10 W 2012 5.00% D | |
| | | R349 | 0RH6801D622 | O | O | | | O | | RESISTOR,METAL GLAZED(CHIP) | 6.8K OHM 1 / 10 W 2012 5.00% D | |
| | | R350 | 0RH1502D622 | O | O | | | O | | RESISTOR,METAL GLAZED(CHIP) | 15K OHM 1 / 10 W 2012 5.00% D | |
| | | R361 | 0RH3300D622 | O | O | | | O | | RESISTOR,METAL GLAZED(CHIP) | 330 OHM 1 / 10 W 2012 5.00% D | |
| | | R362 | 0RH5601D622 | O | O | | | O | | RESISTOR,METAL GLAZED(CHIP) | 5.6K OHM 1 / 10 W 2012 5.00% D | |
| | | R363 | 0RH4701D622 | O | O | | | O | | RESISTOR,METAL GLAZED(CHIP) | 4.7K OHM 1 / 10 W 2012 5.00% D | |
| | | R364 | 0RH1001D622 | O | O | | | O | | RESISTOR,METAL GLAZED(CHIP) | 1K OHM 1 / 10 W 2012 5.00% D | |
| | | R365 | 0RH2200D622 | O | O | | | O | | RESISTOR,METAL GLAZED(CHIP) | 220 OHM 1 / 10 W 2012 5.00% D | |
| | | R366 | 0RH1003D622 | O | O | | | O | | RESISTOR,METAL GLAZED(CHIP) | 100K OHM 1 / 10 W 2012 5.00% D | |
| | | R374 | 0RH0000D622 | O | O | | | O | | RESISTOR,METAL GLAZED(CHIP) | 0 OHM 1 / 10 W 2012 5.00% D | |
| | | R375 | 0RH1001D622 | O | O | | | O | | RESISTOR,METAL GLAZED(CHIP) | 1K OHM 1 / 10 W 2012 5.00% D | |
| | | R376 | 0RH1001D622 | O | O | | | O | | RESISTOR,METAL GLAZED(CHIP) | 1K OHM 1 / 10 W 2012 5.00% D | |
| | | R377 | 0RH0000D622 | O | O | | | O | | RESISTOR,METAL GLAZED(CHIP) | 0 OHM 1 / 10 W 2012 5.00% D | |
| | | R501 | 0RH8201C622 | | | O | O | O | O | RESISTOR,METAL GLAZED(CHIP) | 8.2K OHM 1 / 16 W 1608 5.00% D | |
| | | R501 | 0RH8201C622 | O | O | | | | | RESISTOR,METAL GLAZED(CHIP) | 8.2K OHM 1 / 16 W 1608 5.00% D | |
| | | R502 | 0RJ7503C677 | | | O | O | O | O | RESISTOR,METAL GLAZED(CHIP) | 750K OHM 1/16 W 5% 1608 R/TP | |
| | | R502 | 0RJ7503C677 | O | O | | | | | RESISTOR,METAL GLAZED(CHIP) | 750K OHM 1/16 W 5% 1608 R/TP | |
| | | R503 | 0RH0471C622 | | | O | O | O | O | RESISTOR,METAL GLAZED(CHIP) | 4.7 OHM 1 / 16 W 1608 5.00% D | |
| | | R503 | 0RH0471C622 | O | O | | | | | RESISTOR,METAL GLAZED(CHIP) | 4.7 OHM 1 / 16 W 1608 5.00% D | |
| | | R504 | 0RH0000C622 | | | O | O | O | O | RESISTOR,METAL GLAZED(CHIP) | 0 OHM 1 / 16 W 1608 5.00% D | |
| | | R504 | 0RH0000C622 | O | O | | | | | RESISTOR,METAL GLAZED(CHIP) | 0 OHM 1 / 16 W 1608 5.00% D | |
| | | R505 | 0RH0471C622 | | | O | O | O | O | RESISTOR,METAL GLAZED(CHIP) | 4.7 OHM 1 / 16 W 1608 5.00% D | |
| | | R505 | 0RH0471C622 | O | O | | | | | RESISTOR,METAL GLAZED(CHIP) | 4.7 OHM 1 / 16 W 1608 5.00% D | |
| | | R506 | 0RH0471C622 | | | O | O | O | O | RESISTOR,METAL GLAZED(CHIP) | 4.7 OHM 1 / 16 W 1608 5.00% D | |
| | | R506 | 0RH0471C622 | O | O | | | | | RESISTOR,METAL GLAZED(CHIP) | 4.7 OHM 1 / 16 W 1608 5.00% D | |
| | | R507 | 0RH1801C622 | | | O | O | O | O | RESISTOR,METAL GLAZED(CHIP) | 1.8K OHM 1 / 16 W 1608 5.00% D | |
| | | R507 | 0RH1801C622 | O | O | | | | | RESISTOR,METAL GLAZED(CHIP) | 1.8K OHM 1 / 16 W 1608 5.00% D | |
| | | R508 | 0RH1003C622 | | | O | O | O | O | RESISTOR,METAL GLAZED(CHIP) | 100K OHM 1 / 16 W 1608 5.00% D | |
| | | R508 | 0RH1003C622 | O | O | | | | | RESISTOR,METAL GLAZED(CHIP) | 100K OHM 1 / 16 W 1608 5.00% D | |
| | | R509 | 0RH0000C622 | | | O | O | O | O | RESISTOR,METAL GLAZED(CHIP) | 0 OHM 1 / 16 W 1608 5.00% D | |
| | | R509 | 0RH0000C622 | O | O | | | | | RESISTOR,METAL GLAZED(CHIP) | 0 OHM 1 / 16 W 1608 5.00% D | |
| | | R510 | 0RH0000C622 | | | O | O | O | O | RESISTOR,METAL GLAZED(CHIP) | 0 OHM 1 / 16 W 1608 5.00% D | |
| | | R510 | 0RH0000C622 | O | O | | | | | RESISTOR,METAL GLAZED(CHIP) | 0 OHM 1 / 16 W 1608 5.00% D | |
| | | R511 | 0RH1802C622 | | | O | O | O | O | RESISTOR,METAL GLAZED(CHIP) | 18K OHM 1 / 16 W 1608 5.00% D | |
| | | R511 | 0RH1802C622 | O | O | | | | | RESISTOR,METAL GLAZED(CHIP) | 18K OHM 1 / 16 W 1608 5.00% D | |
| | | R512 | 0RH1003C622 | | | O | O | O | O | RESISTOR,METAL GLAZED(CHIP) | 100K OHM 1 / 16 W 1608 5.00% D | |
| | | R512 | 0RH1003C622 | O | O | | | | | RESISTOR,METAL GLAZED(CHIP) | 100K OHM 1 / 16 W 1608 5.00% D | |
| | | R513 | 0RH0000C622 | | | O | O | O | O | RESISTOR,METAL GLAZED(CHIP) | 0 OHM 1 / 16 W 1608 5.00% D | |
| | | R513 | 0RH0000C622 | O | O | | | | | RESISTOR,METAL GLAZED(CHIP) | 0 OHM 1 / 16 W 1608 5.00% D | |
| | | R515 | 0RH0332C622 | | | O | O | O | O | RESISTOR,METAL GLAZED(CHIP) | 33 OHM 1 / 16 W 1608 5.00% D | |
| | | R515 | 0RH0332C622 | O | O | | | | | RESISTOR,METAL GLAZED(CHIP) | 33 OHM 1 / 16 W 1608 5.00% D | |
| | | R516 | 0RH0332C622 | | | O | O | O | O | RESISTOR,METAL GLAZED(CHIP) | 33 OHM 1 / 16 W 1608 5.00% D | |
| | | R516 | 0RH0332C622 | O | O | | | | | RESISTOR,METAL GLAZED(CHIP) | 33 OHM 1 / 16 W 1608 5.00% D | |
| | | R517 | 0RH0332C622 | | | O | O | O | O | RESISTOR,METAL GLAZED(CHIP) | 33 OHM 1 / 16 W 1608 5.00% D | |

| S | AL | LOCA.NO | PART NO(LG) | A | B | C | D | E | F | DESCRIPTION | SPECIFICATION | REMARKS |
|---|----|---------|-------------|---|---|---|---|---|---|-----------------------------|--------------------------------|---------|
| | | R900 | 0RH6800C622 | O | O | O | O | O | O | RESISTOR,METAL GLAZED(CHIP) | 680 OHM 1 / 16 W 1608 5.00% D | |
| | | R901 | 0RH8200C622 | O | O | O | O | O | O | RESISTOR,METAL GLAZED(CHIP) | 820 OHM 1 / 16 W 1608 5.00% D | |
| | | R902 | 0RH1201C622 | O | O | O | O | O | O | RESISTOR,METAL GLAZED(CHIP) | 1.2K OHM 1 / 16 W 1608 5.00% D | |
| | | R903 | 0RH1501C622 | O | O | O | O | O | O | RESISTOR,METAL GLAZED(CHIP) | 1.5K OHM 1 / 16 W 1608 5.00% D | |
| | | R904 | 0RH2201C622 | O | O | O | O | O | O | RESISTOR,METAL GLAZED(CHIP) | 2.2K OHM 1 / 16 W 1608 5.00% D | |
| | | R905 | 0RH3301C622 | O | O | O | O | O | O | RESISTOR,METAL GLAZED(CHIP) | 3.3K OHM 1 / 16 W 1608 5.00% D | |
| | | R906 | 0RH4701C622 | O | O | O | O | O | O | RESISTOR,METAL GLAZED(CHIP) | 4.7K OHM 1 / 16 W 1608 5.00% D | |
| | | R907 | 0RH8201C622 | O | O | O | O | O | O | RESISTOR,METAL GLAZED(CHIP) | 8.2K OHM 1 / 16 W 1608 5.00% D | |
| | | R908 | 0RH1002C622 | O | O | O | O | O | O | RESISTOR,METAL GLAZED(CHIP) | 10K OHM 1 / 16 W 1608 5.00% D | |
| | | R909 | 0RH1002C622 | O | O | O | O | O | O | RESISTOR,METAL GLAZED(CHIP) | 10K OHM 1 / 16 W 1608 5.00% D | |
| | | R910 | 0RH3301C622 | O | O | O | O | O | O | RESISTOR,METAL GLAZED(CHIP) | 3.3K OHM 1 / 16 W 1608 5.00% D | |
| | | R911 | 0RH3300C622 | O | O | O | O | O | O | RESISTOR,METAL GLAZED(CHIP) | 330 OHM 1 / 16 W 1608 5.00% D | |
| | | R912 | 0RH2200C622 | O | O | O | O | O | O | RESISTOR,METAL GLAZED(CHIP) | 220 OHM 1 / 16 W 1608 5.00% D | |
| | | R913 | 0RH2200C622 | O | O | O | O | O | O | RESISTOR,METAL GLAZED(CHIP) | 220 OHM 1 / 16 W 1608 5.00% D | |
| | | R914 | 0RH1003C622 | O | O | O | O | O | O | RESISTOR,METAL GLAZED(CHIP) | 100K OHM 1 / 16 W 1608 5.00% D | |
| | | R915 | 0RH1003C622 | O | O | O | O | O | O | RESISTOR,METAL GLAZED(CHIP) | 100K OHM 1 / 16 W 1608 5.00% D | |
| | | R916 | 0RH1003C622 | O | O | O | O | O | O | RESISTOR,METAL GLAZED(CHIP) | 100K OHM 1 / 16 W 1608 5.00% D | |
| | | R917 | 0RH1003C622 | O | O | O | O | O | O | RESISTOR,METAL GLAZED(CHIP) | 100K OHM 1 / 16 W 1608 5.00% D | |
| | | R918 | 0RH1003C622 | O | O | O | O | O | O | RESISTOR,METAL GLAZED(CHIP) | 100K OHM 1 / 16 W 1608 5.00% D | |
| | | R919 | 0RH1003C622 | O | O | O | O | O | O | RESISTOR,METAL GLAZED(CHIP) | 100K OHM 1 / 16 W 1608 5.00% D | |
| | | R920 | 0RH1003C622 | O | O | O | O | O | O | RESISTOR,METAL GLAZED(CHIP) | 100K OHM 1 / 16 W 1608 5.00% D | |
| | | R921 | 0RH1003C622 | O | O | O | O | O | O | RESISTOR,METAL GLAZED(CHIP) | 100K OHM 1 / 16 W 1608 5.00% D | |
| | | R922 | 0RH1003C622 | O | O | O | O | O | O | RESISTOR,METAL GLAZED(CHIP) | 100K OHM 1 / 16 W 1608 5.00% D | |
| | | R923 | 0RH1003C622 | O | O | O | O | O | O | RESISTOR,METAL GLAZED(CHIP) | 100K OHM 1 / 16 W 1608 5.00% D | |
| | | R924 | 0RH1003C622 | O | O | O | O | O | O | RESISTOR,METAL GLAZED(CHIP) | 100K OHM 1 / 16 W 1608 5.00% D | |
| | | R925 | 0RH1003C622 | O | O | O | O | O | O | RESISTOR,METAL GLAZED(CHIP) | 100K OHM 1 / 16 W 1608 5.00% D | |
| | | R926 | 0RH1003C622 | O | O | O | O | O | O | RESISTOR,METAL GLAZED(CHIP) | 100K OHM 1 / 16 W 1608 5.00% D | |
| | | R927 | 0RH1003C622 | O | O | O | O | O | O | RESISTOR,METAL GLAZED(CHIP) | 100K OHM 1 / 16 W 1608 5.00% D | |
| | | R928 | 0RH1003C622 | O | O | O | O | O | O | RESISTOR,METAL GLAZED(CHIP) | 100K OHM 1 / 16 W 1608 5.00% D | |
| | | R929 | 0RH1003C622 | O | O | O | O | O | O | RESISTOR,METAL GLAZED(CHIP) | 100K OHM 1 / 16 W 1608 5.00% D | |
| | | R930 | 0RH1003C622 | O | O | O | O | O | O | RESISTOR,METAL GLAZED(CHIP) | 100K OHM 1 / 16 W 1608 5.00% D | |
| | | R931 | 0RH1003C622 | O | O | O | O | O | O | RESISTOR,METAL GLAZED(CHIP) | 100K OHM 1 / 16 W 1608 5.00% D | |
| | | R932 | 0RH1003C622 | O | O | O | O | O | O | RESISTOR,METAL GLAZED(CHIP) | 100K OHM 1 / 16 W 1608 5.00% D | |
| | | R933 | 0RH1003C622 | O | O | O | O | O | O | RESISTOR,METAL GLAZED(CHIP) | 100K OHM 1 / 16 W 1608 5.00% D | |
| | | R934 | 0RH1003C622 | O | O | O | O | O | O | RESISTOR,METAL GLAZED(CHIP) | 100K OHM 1 / 16 W 1608 5.00% D | |
| | | R935 | 0RH1003C622 | O | O | O | O | O | O | RESISTOR,METAL GLAZED(CHIP) | 100K OHM 1 / 16 W 1608 5.00% D | |
| | | R936 | 0RH1003C622 | O | O | O | O | O | O | RESISTOR,METAL GLAZED(CHIP) | 100K OHM 1 / 16 W 1608 5.00% D | |
| | | R937 | 0RH1003C622 | O | O | O | O | O | O | RESISTOR,METAL GLAZED(CHIP) | 100K OHM 1 / 16 W 1608 5.00% D | |
| | | R938 | 0RH1003C622 | O | O | O | O | O | O | RESISTOR,METAL GLAZED(CHIP) | 100K OHM 1 / 16 W 1608 5.00% D | |
| | | R940 | 0RH6800C622 | O | O | O | O | O | O | RESISTOR,METAL GLAZED(CHIP) | 680 OHM 1 / 16 W 1608 5.00% D | |
| | | R941 | 0RH8200C622 | O | O | O | O | O | O | RESISTOR,METAL GLAZED(CHIP) | 820 OHM 1 / 16 W 1608 5.00% D | |
| | | R942 | 0RH1201C622 | O | O | O | O | O | O | RESISTOR,METAL GLAZED(CHIP) | 1.2K OHM 1 / 16 W 1608 5.00% D | |
| | | R943 | 0RH1501C622 | O | O | O | O | O | O | RESISTOR,METAL GLAZED(CHIP) | 1.5K OHM 1 / 16 W 1608 5.00% D | |
| | | R944 | 0RH2201C622 | O | O | O | O | O | O | RESISTOR,METAL GLAZED(CHIP) | 2.2K OHM 1 / 16 W 1608 5.00% D | |
| | | R945 | 0RH3301C622 | O | O | O | O | O | O | RESISTOR,METAL GLAZED(CHIP) | 3.3K OHM 1 / 16 W 1608 5.00% D | |
| | | R951 | 0RH1000C622 | O | O | O | O | O | O | RESISTOR,METAL GLAZED(CHIP) | 100 OHM 1 / 16 W 1608 5.00% D | |
| | | R952 | 0RH1000C622 | O | O | O | O | O | O | RESISTOR,METAL GLAZED(CHIP) | 100 OHM 1 / 16 W 1608 5.00% D | |
| | | R953 | 0RH0000C622 | O | O | O | O | | | RESISTOR,METAL GLAZED(CHIP) | 0 OHM 1 / 16 W 1608 5.00% D | |
| | | RC901 | 6712R1038GA | O | O | O | O | O | O | REMOTE CONTROLLER RECEIVER | TSOP2438SB1 VISHAY 38KHZ 10.2M | |
| | | SW6U0 | 6600R-SH18A | O | O | O | O | | | SWITCH,TACT | CSS-4206 CHANGSHIN DC 30 V 10 | |
| | | SW901 | 556-219B | O | O | O | O | O | O | SWITCH,TACT | THVV502GAA POSTECH DC 12 V 5- | |
| | | SW902 | 556-219B | O | O | O | O | O | O | SWITCH,TACT | THVV502GAA POSTECH DC 12 V 5- | |
| | | SW903 | 556-219B | O | O | O | O | O | O | SWITCH,TACT | THVV502GAA POSTECH DC 12 V 5- | |
| | | SW904 | 556-219B | O | O | O | O | O | O | SWITCH,TACT | THVV502GAA POSTECH DC 12 V 5- | |
| | | SW905 | 556-219B | O | O | O | O | O | O | SWITCH,TACT | THVV502GAA POSTECH DC 12 V 5- | |
| | | SW906 | 556-219B | O | O | O | O | O | O | SWITCH,TACT | THVV502GAA POSTECH DC 12 V 5- | |
| | | SW907 | 556-219B | O | O | O | O | O | O | SWITCH,TACT | THVV502GAA POSTECH DC 12 V 5- | |
| | | SW908 | 556-219B | O | O | O | O | O | O | SWITCH,TACT | THVV502GAA POSTECH DC 12 V 5- | |
| | | SW909 | 556-219B | O | O | O | O | O | O | SWITCH,TACT | THVV502GAA POSTECH DC 12 V 5- | |

| S | AL | LOCA.NO | PART NO(LG) | A | B | C | D | E | F | DESCRIPTION | SPECIFICATION | REMARKS |
|---|----|---------|-------------|---|---|---|---|---|---|------------------------|---------------------------------|---------|
| | | SW910 | 556-219B | O | O | O | O | O | O | SWITCH,TACT | THVV502GAA POSTECH DC 12 V 5- | |
| | | SW911 | 556-219B | O | O | O | O | O | O | SWITCH,TACT | THVV502GAA POSTECH DC 12 V 5- | |
| | | SW912 | 556-219B | O | O | O | O | O | O | SWITCH,TACT | THVV502GAA POSTECH DC 12 V 5- | |
| | | SW913 | 556-219B | O | O | O | O | O | O | SWITCH,TACT | THVV502GAA POSTECH DC 12 V 5- | |
| | | SW914 | 556-219B | O | O | O | O | O | O | SWITCH,TACT | THVV502GAA POSTECH DC 12 V 5- | |
| | | SW915 | 556-219B | O | O | O | O | O | O | SWITCH,TACT | THVV502GAA POSTECH DC 12 V 5- | |
| ⚠ | | T101 | 6170RNGW05B | O | O | O | O | O | O | TRANSFORMER,SMPS[COIL] | EER2828 SOOJUNG DVD SLIM | |
| ⚠ | | V101 | 656-004C | O | O | O | O | O | O | VARISTOR,DRAWING | SVC681D-10A SAMHWA 4.O CUT | |
| | | X501 | 6202R-BL06C | O | O | O | O | O | O | RESONATOR,CRYSTAL | HC-49/S BUBANG 27MHZ 20PPM 1 | |
| | | X901 | 6212BA3004A | O | O | O | O | O | O | RESONATOR,CERAMIC | CSTLS6M00G53-A0 MURATA 6MHZ +/- | |
| | | ZD101 | 0DZ560009CJ | O | O | O | O | O | O | DIODE,ZENERS | GDZJ5.6B 26MM GRANDE TP26 DO34 | |
| | | ZD102 | 0DZ332609FB | O | O | O | O | O | O | DIODE,ZENERS | GDZJ3.3B 26MM GRANDE TP26 DO34 | |
| | | ZD510 | 0DZ562609AA | O | O | O | O | O | O | DIODE,ZENER | GDZJ5.6B 26MM TP GRANDE DO34 | |

MEMO

A series of horizontal dotted lines for writing.

SERVICE MANUAL

T5333CT/T5333C/T5133CT/
T5133C/T5333AH/T5133AH

DVD VIDEO PLAYER

© NAD 2003

NAD ELECTRONICS INTERNATIONAL
TORONTO